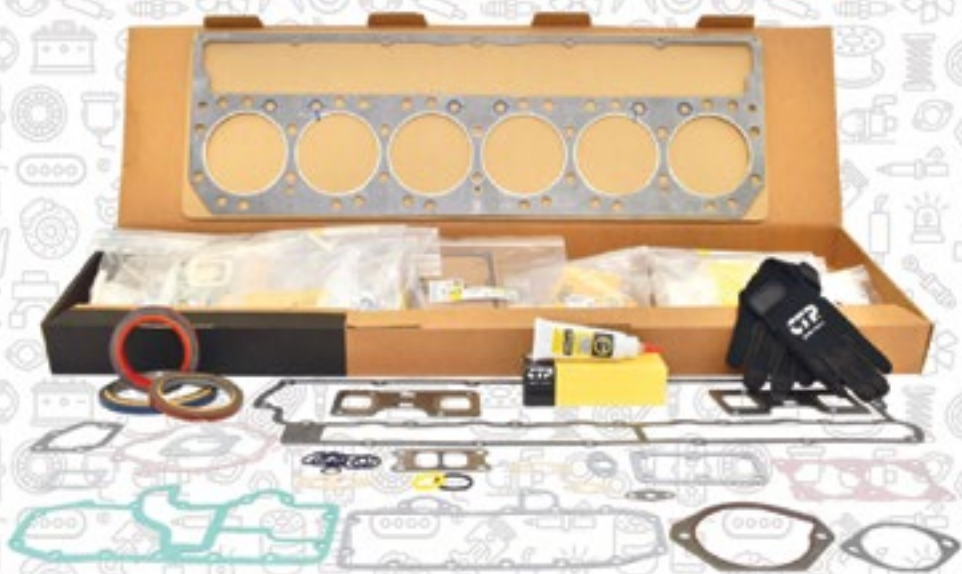


**STP**  
Quality Products

# ABC GASKET KITS CATALOG



**NEW REPLACEMENT PARTS**  
FOR HEAVY EQUIPMENT

## COSTEX TRACTOR PARTS

*Quality with Value  
Guaranteed™*

Gasket Materials Explained.....	PAGE	4
About the ABC Gasket Program.....		6

MODEL	GASKET KITS	PAGE
3114.....		14
3116.....		15
3126.....		29
3176.....		76
3196 / 3204 / 3208.....		83
3304.....		85
3306.....		90
3406.....		108
3408.....		141
3412.....		146
3456 / 3508.....		151
3512.....		156
3516.....		157
3520.....		158
C7.....		159
C9.....		174
C9.3.....		183
C10.....		186
C11.....		192
C12.....		194
C13.....		201
C15.....		211
C18.....		225
C27.....		227
C32.....		228
C175-16.....		234
C175-20.....		235
D330 / D342 / D353.....		236








MODEL	SMALL ENGINE OVERHAUL GASKET KITS	PAGE
3003 / 3013 / 3046.....		239
3054.....		240
3056.....		242
3066.....		243
C4.4 / C6.4.....		244

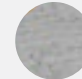


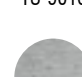
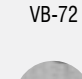

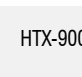
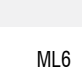
MODEL	PAGE	MODEL	PAGE
3013 / 3014 / 3024.....	247	C1.5 / C1.6 / C1.7 / C2.2.....	257
3046 / 3054 / 3056.....	248	C3.4 / C4.2 / C4.4.....	258
3064 / 3066 / 3114.....	249	C6.4 / C6.6 / C7.....	259
3116 / 3126 / 3176.....	250	C7.1 / C9 / C9.3.....	260
3196 / 3204 / 3208.....	251	C10 / C11 / C12.....	261
3304 / 3306 / 3406.....	252	C13 / C15.....	262
3408 / 3412.....	253	C16 / C18.....	263
3508 / 3512 / 3516.....	254	C27 / C32 / C175-16.....	264
3524 / 3606 / 3608.....	255	C175-20 / D330 / D342.....	265
3612 / 3616 / 3618 / C1.1.....	256	D353.....	266

# ABOUT THE GASKET MATERIALS

## What are the CTP's Gaskets made out of?

Our gaskets are produced from solvent free materials, environmentally friendly, asbestos free. Our materials are treated with an anti-stick coating on both sides to better protect the gasket and the machine itself.

Material	Gasket Type	Material	Application	Maximum Short Duration Temperatures
 NCA-45	Cork Gasket	Cork/synthetic rubber blend	Medium Oil resistance of most Sealing application: <ul style="list-style-type: none"> <li>Valve Covers</li> <li>Oil Pans</li> <li>Transmission Pans</li> </ul>	up to 200°C (392°F)
 CMP-4000	Paper Gasket	Compressed MicroPore material, combining a unique synthetic fiber matrix and fully cured Nitrile Butadiene rubber binder	Excellent sealability and torque retention properties for OEM and Industrial Applications.	up to 350°C (650°F)
 HFL-171	Paper Gasket	Fully cured Nitrile Butadiene rubber binder	Heavy-duty and Industrial Applications: <ul style="list-style-type: none"> <li>Diesel engine</li> <li>Transmission</li> <li>Refrigeration</li> <li>Piping</li> </ul>	up to 290°C (550°F)
 HFL-781	Paper Gasket	Controlled swell gasket material with Styrene Butadiene and natural rubber binders	Heavy-duty oil sealing Applications: <ul style="list-style-type: none"> <li>Diesel engine</li> <li>Oil pans</li> <li>Front covers</li> </ul>	up to 290°C (550°F)
 M5201	Paper Gasket	High-density material with fully cured Nitrile Butadiene rubber binder	Heavy-duty Diesel engine Applications: <ul style="list-style-type: none"> <li>Oil resistance</li> <li>Fuel resistance</li> </ul>	up to 290°C (550°F)
 MP-15	Paper Gasket	MicroPore with a Nitrile Butadiene binder	Excellent low flange pressure sealability and bolt torque retention for heavy-duty applications: <ul style="list-style-type: none"> <li>Compressors</li> <li>Diesel engines</li> <li>Others</li> </ul>	up to 205°C (400°F)
 N-8092	Paper Gasket	Reinforced Cellulose with Nitrile binder	Excellent crush resistance at high flange pressure for small Engine and Compressor Applications: <ul style="list-style-type: none"> <li>Oil</li> <li>Fuel</li> <li>Water</li> </ul>	up to 180°C (350°F)

Material	Gasket Type	Material	Application	Maximum Short Duration Temperatures
 PF-4S	Paper Gasket	Synthetic fibers, advanced fillers and Nitrile Butadiene binders	Various Oil, Air, and Coolant Applications: <ul style="list-style-type: none"> <li>Oil pans</li> <li>Front covers</li> <li>Intake manifolds</li> <li>Rear seals</li> </ul>	up to 290°C (550°F)
 RN8011	Paper Gasket	Low density Cellulose fiber material with high rubber filler content and Nitrile Butadiene rubber binder	Excellent sealing at low flange pressures for Oil and Water Applications: <ul style="list-style-type: none"> <li>Engine</li> <li>Transmission pan gaskets</li> <li>Water pumps</li> <li>Environmental seals</li> </ul>	up to 180°C (350°F)
 S-8091	Paper Gasket	Latent cure Styrene Butadiene bound material with reinforced Cellulose fiber	Excellent sealing for: <ul style="list-style-type: none"> <li>Oil</li> <li>Fuel</li> <li>Low-pressure Steam</li> </ul>	up to 180°C (350°F)
 TS-9016	Paper Gasket	Fully cured Styrene Butadiene rubber binder and a blend of Aramid and Cellulose fibers	Oil and Water Applications	up to 290°C (550°F)
 VB-72	Paper Gasket	MicroPore with a Nitrile Butadiene binder	Heavy-duty applications: <ul style="list-style-type: none"> <li>Valve body</li> <li>Applications with high fluid pressures and flow rates exposure</li> <li>Erosion Resistance</li> </ul>	up to 290°C (550°F)
 EMC-7201	Metal Gasket	Composite structure of high-density, fully cured Nitrile Butadiene bound gasket facings chemically and mechanically fused to an expanded steel core	High performance Diesel engine structural joint applications: <ul style="list-style-type: none"> <li>Gear case</li> <li>Flywheel housings</li> <li>High pressure hydraulic joints</li> </ul>	up to 290°C (550°F)
 HTX-900	Metal Gasket	Graphite-coated, high temperature facing material chemically and mechanically fused to an expanded steel core	High strength, thermal integrity, and anti-stick performance sealing applications: <ul style="list-style-type: none"> <li>Exhaust manifolds</li> <li>Header</li> <li>Collector</li> <li>EGR system gaskets</li> </ul>	up to 760°C (1,400°F)
 ML6	Metal Gasket	Non-asbestos Cellulose fiber combined with Nitrile latex and thermosetting resins	High Performance, non-extruding metal support sealing application: <ul style="list-style-type: none"> <li>Intake manifolds</li> <li>Transmission</li> <li>Braking system</li> <li>Industrial Applications</li> </ul>	up to 205°C (400°F)

## ABOUT THE ABC GASKET PROGRAM

### What is CTP's ABC Gasket Program?

This is a program designed to consolidate gasket kits and make it easier for the parts person to order and for the rebuilders themselves to quickly identify and organize the seals and gaskets. At the same time they can be assured that everything they need is included for each particular rebuild.

Kits are packaged into sub kits (front set, rear set, lower set, etc.) inside the gasket kit box for easy identification.

### Why buy CTP's ABC Gasket Kits?

Everyone likes to keep things simple and organized. We can help you do that while offering you the reliability and premium quality that comes with every CTP product.

### The ABC Gasket Kit Program offers you the following:

- \* 1 box instead of 10 boxes.
- \* Kits are divided and labeled into sub-kits inside a gasket kit box for easy identification.
- \* Less shipping costs. (1 box compared to 10 boxes)
- \* Less storage space. (1 box compared to 10 boxes)
- \* Faster inventory turnover.
- \* More machine coverage with lower investment in inventory. (Each special kit covers a wide range of serial numbers)
- \* Simplified part number system. **A=** , **B=** , **C=**
- \* All necessary seals and gaskets are included in a kit for a particular rebuild (inframe, out of frame or a head set) You won't have to worry that anything is missing.



### How do you choose from different sets of kits?

**A = Out of Frame Overhaul Gasket Set**

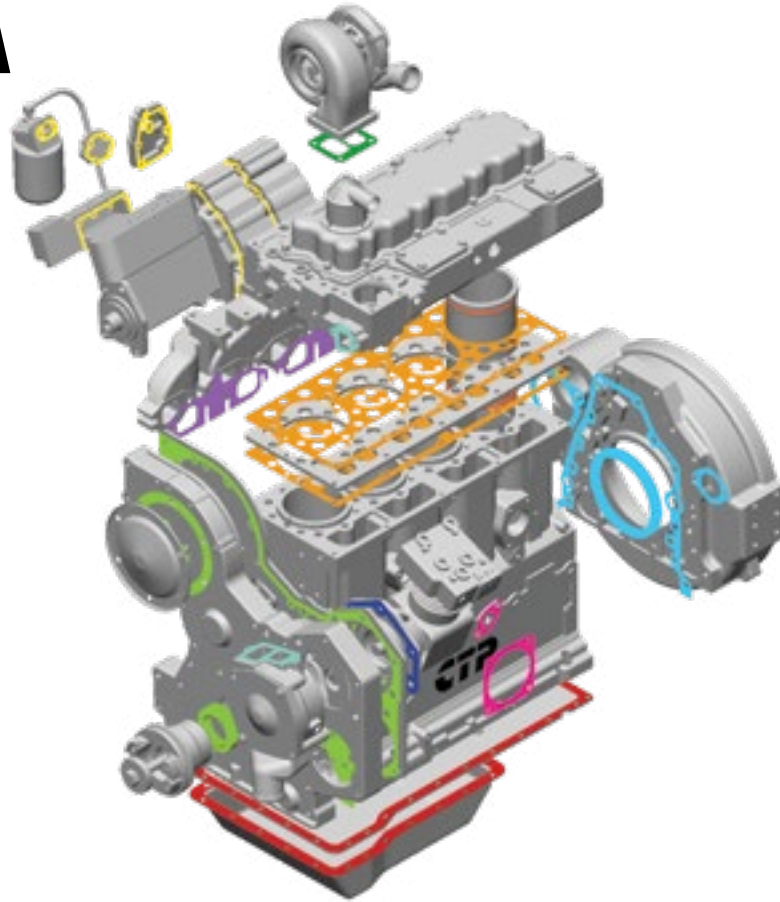
**B = Inframe Overhaul Gasket Set**

**C = Cylinder Head Replacement Set (Single or Multiple)**

Other options will be identified with the letters **D** or **E**.

The part number will be made up of: CTP+engine number+consecutive number+A,B,C (D or E suffix if available).

**KIT**  
**A**



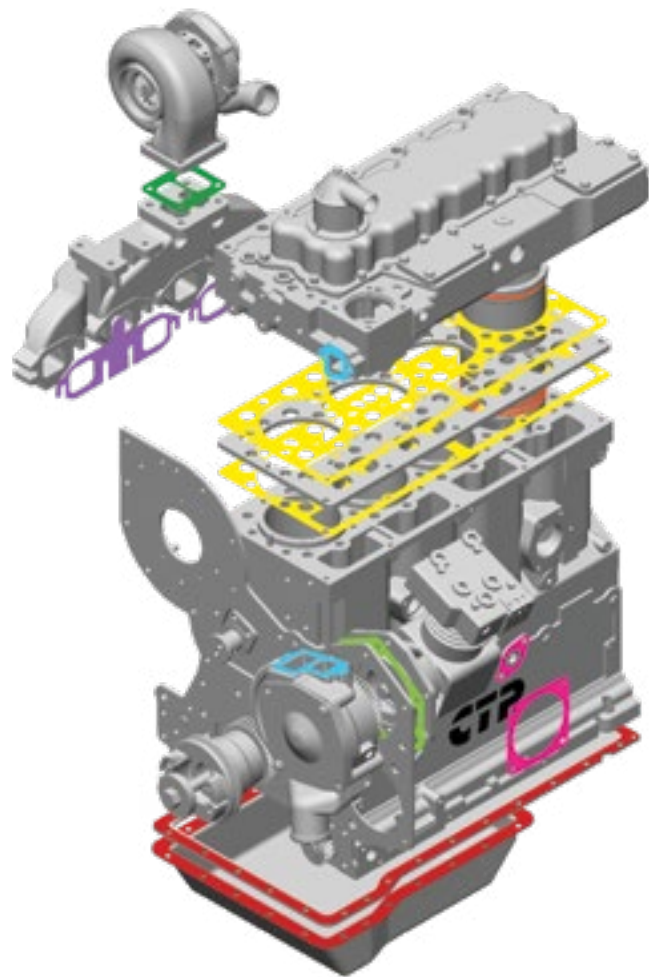
- AIR INLET MANIFOLD SET
- FRONT COVER KIT
- REAR COVER KIT PUMP SET
- CYLINDER HEAD KIT
- OIL COOLER 8 LINES SET
- LOWER 8 CENTRAL STRUCTURE KIT
- FUEL SYSTEM SET
- TURBO CHARGER SET
- CYLINDER LINER KIT
- AIR COMPRESSOR SET
- WATER PUMP SET

**KIT A (OUT OF FRAME OVERHAUL)**

<b>CYLINDER HEAD SET</b>	CONTAINS THE GASKETS AND SEALS TO REINSTALL A SINGLE CYLINDER HEAD. KIT DOES NOT INCLUDE THE FUEL INJECTOR SEALS.
<b>SINGLE CYLINDER LINER</b>	CONTAINS LINER SEALS (# CYLINDERS).
<b>FUEL INJECTOR</b>	CONTAINS FUEL INJECTOR SEALS. (Note: Injector seals are regularly included in the Fuel System Kit.)
<b>FUEL SYSTEM</b>	CONTAINS THE GASKETS AND SEALS TO REINSTALL ENGINE MOUNTED FUEL SYSTEM COMPONENTS. (Note: Injector seals are regularly included in this Kit.)
<b>FRONT COVER</b>	CONTAINS THE GASKETS AND SEALS TO REINSTALL THE FRONT COVER.
<b>CENTRAL &amp; LOWER STRUCTURE</b>	CONTAINS THE GASKETS AND SEALS TO REINSTALL THE OIL PAN, OIL PUMP, & BLOCK COVERS.
<b>REAR COVER</b>	CONTAINS THE GASKETS AND SEALS TO REINSTALL THE REAR COVER.
<b>AIR COMPRESSOR SET</b>	CONTAINS THE GASKETS & SEALS TO REBUILD & REINSTALL THE AIR COMPRESSOR & ATTACHING LINES.
<b>WATER PUMP SET</b>	CONTAINS THE GASKETS & SEALS TO REBUILD & REINSTALL WATER PUMP & ATTACHING LINES.
<b>OIL COOLER &amp; LINES SET</b>	CONTAINS THE GASKETS & SEALS TO REINSTALL THE OIL COOLER(S), OIL FILTER BASE & ATTACHING LINES.
<b>TURBOCHARGER SET</b>	CONTAINS THE GASKETS & SEALS TO REBUILD & REINSTALL THE TURBO & ATTACHING LINES. (If required.)
<b>AIR INLET MANIFOLD SET</b>	CONTAINS THE GASKETS & SEALS TO REINSTALL THE AIR INLET MANIFOLD. (Note: Inlet Manifold Seals are regularly included in a Turbocharger Set.)
<b>AFTERCOOLER SET</b>	CONTAINS THE GASKETS & SEALS TO REINSTALL THE AFTERCOOLER. (If required.)

The images and content displayed on this booklet are protected by copyright and other applicable laws and are the property of Costex Tractor Parts. They are made available for viewing solely for demonstration and illustrative use purposes only and may not be copied, reproduced, downloaded, modified, displayed or distributed in any way without the prior written permission of Costex Tractor Parts.

**KIT**  
**B**



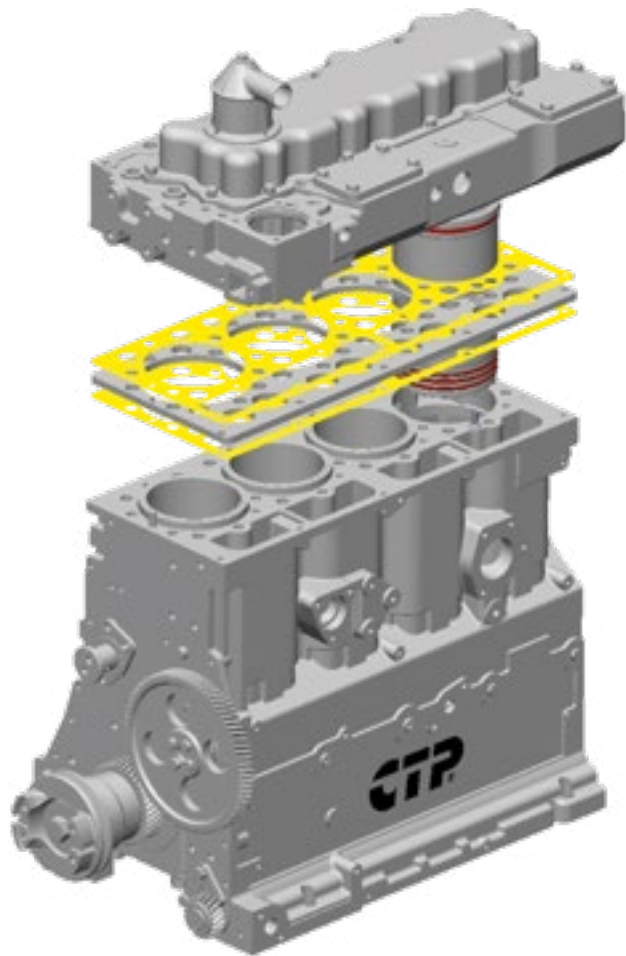
- AIR INLET MANIFOLD SET
- TURBO CHARGER SET
- AIR COMPRESSOR SET
- CYLINDER LINER KIT
- WATER PUMP SET
- CYLINDER HEAD KIT
- LOWER 8 CENTRAL STRUCTURE KIT
- OIL COOLER 8 LINES SET

**KIT B (IN FRAME OVERHAUL)**

<b>CYLINDER HEAD SET</b>	CONTAINS THE GASKETS AND SEALS TO REINSTALL A SINGLE CYLINDER HEAD. KIT DOES NOT INCLUDE THE FUEL INJECTOR SEALS.
<b>SINGLE CYLINDER LINER</b>	CONTAINS LINER SEALS (# CYLINDERS).
<b>FUEL INJECTOR</b>	CONTAINS FUEL INJECTOR SEALS. (Note: Injector seals are regularly included in the Fuel System Kit.)
<b>FUEL SYSTEM</b>	NOT INCLUDED.
<b>FRONT COVER</b>	NOT INCLUDED.
<b>CENTRAL &amp; LOWER STRUCTURE</b>	CONTAINS THE GASKETS AND SEALS TO REINSTALL THE OIL PAN, OIL PUMP, & BLOCK COVERS.
<b>REAR COVER</b>	NOT INCLUDED.
<b>AIR COMPRESSOR SET</b>	CONTAINS THE GASKETS & SEALS TO REBUILD & REINSTALL THE AIR COMPRESSOR & ATTACHING LINES.
<b>WATER PUMP SET</b>	CONTAINS THE GASKETS & SEALS TO REBUILD & REINSTALL WATER PUMP & ATTACHING LINES.
<b>OIL COOLER &amp; LINES SET</b>	CONTAINS THE GASKETS & SEALS TO REINSTALL THE OIL COOLER(S), OIL FILTER BASE & ATTACHING LINES.
<b>TURBOCHARGER SET</b>	CONTAINS THE GASKETS & SEALS TO REBUILD & REINSTALL THE TURBO & ATTACHING LINES. (If required.)
<b>AIR INLET MANIFOLD SET</b>	CONTAINS THE GASKETS & SEALS TO REINSTALL THE AIR INLET MANIFOLD. (Note: Inlet Manifold Seals are regularly included in a Turbocharger Set.)
<b>AFTERCOOLER SET</b>	CONTAINS THE GASKETS & SEALS TO REINSTALL THE AFTERCOOLER.

The images and content displayed on this booklet are protected by copyright and other applicable laws and are the property of Costex Tractor Parts. They are made available for viewing solely for demonstration and illustrative use purposes only and may not be copied, reproduced, downloaded, modified, displayed or distributed in any way without the prior written permission of Costex Tractor Parts.

**KIT**  
**C**



 CYLINDER LINER KIT

 CYLINDER HEAD KIT

**KIT C (CYLINDER HEAD REPLACEMENT GASKET SET)**

<b>CYLINDER HEAD SET</b>	CONTAINS THE GASKETS AND SEALS TO REINSTALL A SINGLE CYLINDER HEAD. KIT DOES NOT INCLUDE THE FUEL INJECTOR SEALS.
<b>SINGLE CYLINDER LINER</b>	CONTAINS LINER SEALS (# CYLINDERS).
<b>FUEL INJECTOR</b>	CONTAINS FUEL INJECTOR SEALS. (Note: Injector seals are regularly included in the Fuel System Kit.)
<b>FUEL SYSTEM</b>	NOT INCLUDED.
<b>FRONT COVER</b>	NOT INCLUDED.
<b>CENTRAL &amp; LOWER STRUCTURE</b>	NOT INCLUDED.
<b>REAR COVER</b>	NOT INCLUDED.
<b>AIR COMPRESSOR SET</b>	NOT INCLUDED.
<b>WATER PUMP SET</b>	NOT INCLUDED.
<b>OIL COOLER &amp; LINES SET</b>	NOT INCLUDED.
<b>TURBOCHARGER SET</b>	NOT INCLUDED.
<b>AIR INLET MANIFOLD SET</b>	NOT INCLUDED.
<b>AFTERCOOLER SET</b>	NOT INCLUDED.

The images and content displayed on this booklet are protected by copyright and other applicable laws and are the property of Costex Tractor Parts. They are made available for viewing solely for demonstration and illustrative use purposes only and may not be copied, reproduced, downloaded, modified, displayed or distributed in any way without the prior written permission of Costex Tractor Parts.

Prefix	Serial No.	Arrangement	Application	Comments	Part Number	Description
1ZG	1ZG01-UP	7C-4454	MACHINE, INDUSTRIAL	USING PISTON: 6I1210, 9Y7452	CTP3114006A	Out of Frame OH Gasket Set
					CTP3114006B	Inframe OH Set
					CTP3114006C	Cylinder Head Repl. Gasket Set
2FG	2FG04650-2FG06187	114-4507, 143-4849	924F WHEEL LOADER	USING PISTON: 1077563	CTP3114001A	Out of Frame OH Gasket Set
					CTP3114001B	Inframe OH Set
					CTP3114001C	Cylinder Head Repl. Gasket Set
	2FG06188-UP	114-4507	924F WHEEL LOADER	USING PISTON: 1077563	CTP3114002A	Out of Frame OH Gasket Set
					CTP3114002B	Inframe OH Set
					CTP3114002C	Cylinder Head Repl. Gasket Set
	2FG01-UP	7C-5477, 9Y-1379	MACHINE	USING PISTON: 7E3226, 7E3428, 1077563	CTP3114005A	Out of Frame OH Gasket Set
					CTP3114005B	Inframe OH Set
					CTP3114005C	Cylinder Head Repl. Gasket Set
2ZF	2ZF07483-UP	114-4507, 143-4849	924F WHEEL LOADER	USING PISTON: 1077563	CTP3114001A	Out of Frame OH Gasket Set
					CTP3114001B	Inframe OH Set
					CTP3114001C	Cylinder Head Repl. Gasket Set
4RR	4RR01-UP	114-4507, 143-4849	924F WHEEL LOADER	USING PISTON: 1077563	CTP3114001A	Out of Frame OH Gasket Set
					CTP3114001B	Inframe OH Set
					CTP3114001C	Cylinder Head Repl. Gasket Set
5EF	5EF00871-UP	4P-4712	MACHINE, INDUSTRIAL	USING PISTON: 9Y7452, 7E1298	CTP3114003A	Out of Frame OH Gasket Set
					CTP3114003B	Inframe OH Set
					CTP3114003C	Cylinder Head Repl. Gasket Set
	5EF00871-UP	4P-4712	MACHINE, INDUSTRIAL	USING PISTON: 6I1210, 7E1298, 7E3226, 9Y7452, 1077545, 1154124	CTP3114007A	Out of Frame OH Gasket Set
					CTP3114007B	Inframe OH Set
					CTP3114007C	Cylinder Head Repl. Gasket Set
97Z	97Z01450-UP	114-4507, 143-4849	924F WHEEL LOADER	USING PISTON: 1077563	CTP3114001A	Out of Frame OH Gasket Set
					CTP3114001B	Inframe OH Set
					CTP3114001C	Cylinder Head Repl. Gasket Set
	97Z01450-UP	114-4507	MACHINE	USING PISTON: 7E1298, 1077563	CTP3114004A	Out of Frame OH Gasket Set
					CTP3114004B	Inframe OH Set
					CTP3114004C	Cylinder Head Repl. Gasket Set

Prefix	Serial No.	Arrangement	Application	Comments	Part Number	Description
1CK	1CK01-UP	4P-9992	950F SERIES II, WHEEL LOADER	Turbocharged, Single Head	CTP3116012A	Out of Frame OH Gasket Set
					CTP3116012B	Inframe OH Set
					CTP3116012C	Cylinder Head Repl. Gasket Set
	1CK01-UP	6I-2112	325, 325L EXCAVATORS	Turbocharged, Single Head	CTP3116008A	Out of Frame OH Gasket Set
					CTP3116008B	Inframe OH Set
					CTP3116008C	Cylinder Head Repl. Gasket Set
	1CK01-UP	6I-2322, 7E-0576, 112-9040, 133-8829	TRUCK, INDUSTRIAL, MACHINE	Turbocharged, Single Head	CTP3116139A	Out of Frame OH Gasket Set
					CTP3116139B	Inframe OH Set
					CTP3116139C	Cylinder Head Repl. Gasket Set
	1CK01-UP	7C-9097	TRACK-TYPE EXCAVATORS	Turbocharged, Single Head	CTP3116009A	Out of Frame OH Gasket Set
					CTP3116009B	Inframe OH Set
					CTP3116009C	Cylinder Head Repl. Gasket Set
	1CK01-UP	7W-6852	E200B, EL200B EXCAVATORS	Turbocharged, Single Head	CTP3116015A	Out of Frame OH Gasket Set
					CTP3116015B	Inframe OH Set
					CTP3116015C	Cylinder Head Repl. Gasket Set
	1CK01-UP	9Y-9184	E240B, E240C EXCAVATORS	Turbocharged, Single Head	CTP3116003A	Out of Frame OH Gasket Set
					CTP3116003B	Inframe OH Set
					CTP3116003C	Cylinder Head Repl. Gasket Set
	1CK01-UP	101-1683	TRACK-TYPE EXCAVATORS	Turbocharged, Single Head	CTP3116004A	Out of Frame OH Gasket Set
					CTP3116004B	Inframe OH Set
					CTP3116004C	Cylinder Head Repl. Gasket Set
	1CK11130-UP	107-4935	D6M TRACK-TYPE, TRACTOR POWER SHIFT, TRACTOR XL D6M TRACK-TYPE, TRACTOR POWER SHIFT, TRACTOR XL	Turbocharged, Single Head	CTP3116014A	Out of Frame OH Gasket Set
					CTP3116014B	Inframe OH Set
					CTP3116014C	Cylinder Head Repl. Gasket Set
	1CK13442-UP	112-9039	950F SERIES II, WHEEL LOADER	Turbocharged, Single Head	CTP3116011A	Out of Frame OH Gasket Set
					CTP3116011B	Inframe OH Set
					CTP3116011C	Cylinder Head Repl. Gasket Set
	1CK11131-UP	114-4508	D5M XL, D5M LGP, TRACTOR	Turbocharged, Single Head	CTP3116013A	Out of Frame OH Gasket Set
					CTP3116013B	Inframe OH Set
					CTP3116013C	Cylinder Head Repl. Gasket Set
1CK01-UP	115-5937, 115-5938	325B L, 325B LN EXCAVATORS	Turbocharged, Single Head	CTP3116005A	Out of Frame OH Gasket Set	
				CTP3116005B	Inframe OH Set	
				CTP3116005C	Cylinder Head Repl. Gasket Set	



Prefix	Serial No.	Arrangement	Application	Comments	Part Number	Description
1CK	1CK01-UP	129-8578	TRACK-TYPE EXCAVATORS	Turbocharged, Single Head	CTP3116006A	Out of Frame OH Gasket Set
					CTP3116006B	Inframe OH Set
					CTP3116006C	Cylinder Head Repl. Gasket Set
	1CK01-UP	131-3803	TRACK-TYPE EXCAVATORS	Turbocharged, Single Head	CTP3116007A	Out of Frame OH Gasket Set
					CTP3116007B	Inframe OH Set
					CTP3116007C	Cylinder Head Repl. Gasket Set
	1CK01-UP	133-8829	938F , IT38F WHEEL LOADER, INTEGRATED TOOLCARRIER	Turbocharged, Single Head	CTP3116010A	Out of Frame OH Gasket Set
					CTP3116010B	Inframe OH Set
					CTP3116010C	Cylinder Head Repl. Gasket Set
1SK	1SK1-2575	7C6629, 4P9562, 6I0305, 6I4190, 6I4188, 4P9563, 6I0306, 6I4191, 6I4189, 1019408, 6I0307, 6I4192, 1317879	MARINE	Turbocharged, Single Head, Water Aftercooled	CTP3116002A	Out of Frame OH Gasket Set
					CTP3116002B	Inframe OH Set
					CTP3116002C	Cylinder Head Repl. Gasket Set
2BK	2BK01-UP	4P-1533, 106-7885, 153-9720	TRUCK	Turbocharged, Single Head	CTP3116138A	Out of Frame OH Gasket Set
					CTP3116138B	Inframe OH Set
					CTP3116138C	Cylinder Head Repl. Gasket Set
	2BK250801-UP	5R-8668, 100-5167, 118-9577, 143-7779	TRUCK	Turbocharged, Single Head	CTP3116143A	Out of Frame OH Gasket Set
					CTP3116143B	Inframe OH Set
					CTP3116143C	Cylinder Head Repl. Gasket Set
2CW	2CW00188-UP	133-1651, 101-3146, 108-3110, 119-7799, 117-4665, 143-7779	TRUCK	Turbocharged, Single Head	CTP3116140A	Out of Frame OH Gasket Set
					CTP3116140B	Inframe OH Set
					CTP3116140C	Cylinder Head Repl. Gasket Set
	2CW00188-UP	5R-8668, 100-5167, 118-9577, 143-7779	TRUCK	Turbocharged, Single Head	CTP3116143A	Out of Frame OH Gasket Set
					CTP3116143B	Inframe OH Set
					CTP3116143C	Cylinder Head Repl. Gasket Set
2FR	2FR01-UP	133-2151, 101-3149, 106-7836, 153-9720, 121-3213, 178-4491	TRUCK	Turbocharged, Single Head	CTP3116137A	Out of Frame OH Gasket Set
					CTP3116137B	Inframe OH Set
					CTP3116137C	Cylinder Head Repl. Gasket Set
	2FR01-UP	133-1651, 101-3146, 108-3110, 119-7799, 117-4665, 143-7779	TRUCK	Turbocharged, Single Head	CTP3116140A	Out of Frame OH Gasket Set
					CTP3116140B	Inframe OH Set
					CTP3116140C	Cylinder Head Repl. Gasket Set
2WG	2WG01-UP	6I-2322, 7E-0576, 112-9040, 133-8829	TRUCK, INDUSTRIAL, MACHINE	Turbocharged, Single Head	CTP3116139A	Out of Frame OH Gasket Set
					CTP3116139B	Inframe OH Set
					CTP3116139C	Cylinder Head Repl. Gasket Set
	2WG02627-UP	6I-2327, 6I-3038, 114-2910, 153-9720	TRUCK, INDUSTRIAL, MACHINE	Turbocharged, Single Head	CTP3116141A	Out of Frame OH Gasket Set
					CTP3116141B	Inframe OH Set
					CTP3116141C	Cylinder Head Repl. Gasket Set

Prefix	Serial No.	Arrangement	Application	Comments	Part Number	Description
2WG	2WG01-UP	6I-2322, 7E-0824, 7E-2963, 112-9040	TRUCK, INDUSTRIAL, MACHINE	Turbocharged, Single Head	CTP3116142A	Out of Frame OH Gasket Set
					CTP3116142B	Inframe OH Set
					CTP3116142C	Cylinder Head Repl. Gasket Set
	2WG03022-UP	101-3130	3116, INDRUSTRIAL ENGINE	Turbocharged, Single Head	CTP3116016A	Out of Frame OH Gasket Set
					CTP3116016B	Inframe OH Set
					CTP3116016C	Cylinder Head Repl. Gasket Set
	2WG02918-UP	101-3131	3116, INDRUSTRIAL ENGINE	Turbocharged, Single Head	CTP3116017A	Out of Frame OH Gasket Set
					CTP3116017B	Inframe OH Set
					CTP3116017C	Cylinder Head Repl. Gasket Set
	2WG02939-UP	101-3134	3116, INDRUSTRIAL ENGINE	Turbocharged, Single Head	CTP3116018A	Out of Frame OH Gasket Set
					CTP3116018B	Inframe OH Set
					CTP3116018C	Cylinder Head Repl. Gasket Set
	2WG03126-UP	107-2777	3116, INDRUSTRIAL ENGINE	Turbocharged, Single Head	CTP3116019A	Out of Frame OH Gasket Set
					CTP3116019B	Inframe OH Set
					CTP3116019C	Cylinder Head Repl. Gasket Set
	2WG03930-UP	113-5818	3116, INDRUSTRIAL ENGINE	Turbocharged, Single Head	CTP3116020A	Out of Frame OH Gasket Set
					CTP3116020B	Inframe OH Set
					CTP3116020C	Cylinder Head Repl. Gasket Set
	2WG04157-UP	116-2290	3116, INDRUSTRIAL ENGINE	Turbocharged, Single Head	CTP3116021A	Out of Frame OH Gasket Set
					CTP3116021B	Inframe OH Set
					CTP3116021C	Cylinder Head Repl. Gasket Set
	2WG04446-UP	120-4105	3116, INDRUSTRIAL ENGINE	Turbocharged, Single Head	CTP3116022A	Out of Frame OH Gasket Set
					CTP3116022B	Inframe OH Set
					CTP3116022C	Cylinder Head Repl. Gasket Set
	2WG01254-2WG02034, 2WG01040-2WG02550	4P-3507, 9Y-1629	3116, INDRUSTRIAL ENGINE	Turbocharged, Single Head	CTP3116023A	Out of Frame OH Gasket Set
					CTP3116023B	Inframe OH Set
					CTP3116023C	Cylinder Head Repl. Gasket Set
	2WG01403-2WG05952	4P-3707	3116, INDRUSTRIAL ENGINE	Turbocharged, Single Head	CTP3116024A	Out of Frame OH Gasket Set
					CTP3116024B	Inframe OH Set
					CTP3116024C	Cylinder Head Repl. Gasket Set
2WG01660-UP	4P-4711	3116, INDRUSTRIAL ENGINE	Turbocharged, Single Head	CTP3116025A	Out of Frame OH Gasket Set	
				CTP3116025B	Inframe OH Set	
				CTP3116025C	Cylinder Head Repl. Gasket Set	
2WG01361-2WG02475	4P-4918	3116, INDRUSTRIAL ENGINE	Turbocharged, Single Head	CTP3116026A	Out of Frame OH Gasket Set	
				CTP3116026B	Inframe OH Set	
				CTP3116026C	Cylinder Head Repl. Gasket Set	

Prefix	Serial No.	Arrangement	Application	Comments	Part Number	Description
2WG	2WG02062-2WG29534	6I-0867	3116, INDUSTRIAL ENGINE	Turbocharged, Single Head	CTP3116027A	Out of Frame OH Gasket Set
					CTP3116027B	Inframe OH Set
					CTP3116027C	Cylinder Head Repl. Gasket Set
	2WG02571-UP	6I-2320	3116, INDUSTRIAL ENGINE	Turbocharged, Single Head	CTP3116028A	Out of Frame OH Gasket Set
					CTP3116028B	Inframe OH Set
					CTP3116028C	Cylinder Head Repl. Gasket Set
	2WG01-UP	6I-2321	3116, INDUSTRIAL ENGINE	Turbocharged, Single Head	CTP3116029A	Out of Frame OH Gasket Set
					CTP3116029B	Inframe OH Set
					CTP3116029C	Cylinder Head Repl. Gasket Set
	2WG01-UP	6I-2322	3116, INDUSTRIAL ENGINE	Turbocharged, Single Head	CTP3116030A	Out of Frame OH Gasket Set
					CTP3116030B	Inframe OH Set
					CTP3116030C	Cylinder Head Repl. Gasket Set
	2WG02571-UP	6I-2323	3116, INDUSTRIAL ENGINE	Turbocharged, Single Head	CTP3116031A	Out of Frame OH Gasket Set
					CTP3116031B	Inframe OH Set
					CTP3116031C	Cylinder Head Repl. Gasket Set
	2WG01-UP	6I-2324	3116, INDUSTRIAL ENGINE	Turbocharged, Single Head	CTP3116032A	Out of Frame OH Gasket Set
					CTP3116032B	Inframe OH Set
					CTP3116032C	Cylinder Head Repl. Gasket Set
	2WG00001-2WG02825	6I-2325	3116, INDUSTRIAL ENGINE	Turbocharged, Single Head	CTP3116033A	Out of Frame OH Gasket Set
					CTP3116033B	Inframe OH Set
					CTP3116033C	Cylinder Head Repl. Gasket Set
	2WG02749-UP	6I-2326	3116, INDUSTRIAL ENGINE	Turbocharged, Single Head	CTP3116034A	Out of Frame OH Gasket Set
					CTP3116034B	Inframe OH Set
					CTP3116034C	Cylinder Head Repl. Gasket Set
	2WG02627-UP	6I-2327	3116, INDUSTRIAL ENGINE	Turbocharged, Single Head	CTP3116035A	Out of Frame OH Gasket Set
					CTP3116035B	Inframe OH Set
					CTP3116035C	Cylinder Head Repl. Gasket Set
	2WG02608-UP	6I-2328	3116, INDUSTRIAL ENGINE	Turbocharged, Single Head	CTP3116036A	Out of Frame OH Gasket Set
					CTP3116036B	Inframe OH Set
					CTP3116036C	Cylinder Head Repl. Gasket Set
	2WG01-UP	7C-9226	AP-1000, ASPHAL PAVER, CS-563 & CP-563, VIBRATORY COMPACTORS	Turbocharged, Single Head	CTP3116037A	Out of Frame OH Gasket Set
					CTP3116037B	Inframe OH Set
					CTP3116037C	Cylinder Head Repl. Gasket Set
	2WG00837-UP	7E-7743	3116, INDUSTRIAL ENGINE	Turbocharged, Single Head	CTP3116038A	Out of Frame OH Gasket Set
					CTP3116038B	Inframe OH Set
					CTP3116038C	Cylinder Head Repl. Gasket Set

Prefix	Serial No.	Arrangement	Application	Comments	Part Number	Description
2WG	2WG00001-2WG02571	9Y-0179	3116, INDUSTRIAL ENGINE	Turbocharged, Single Head	CTP3116039A	Out of Frame OH Gasket Set
					CTP3116039B	Inframe OH Set
					CTP3116039C	Cylinder Head Repl. Gasket Set
	2WG01302-2WG02541	9Y-2756	3116, INDUSTRIAL ENGINE	Turbocharged, Single Head	CTP3116041A	Out of Frame OH Gasket Set
					CTP3116041B	Inframe OH Set
					CTP3116041C	Cylinder Head Repl. Gasket Set
	2WG00001-2WG02621	9Y-6728	3116, INDUSTRIAL ENGINE	Turbocharged, Single Head	CTP3116042A	Out of Frame OH Gasket Set
					CTP3116042B	Inframe OH Set
					CTP3116042C	Cylinder Head Repl. Gasket Set
	2WG01302-2WG02523	9Y-6729	3116, INDUSTRIAL ENGINE	Turbocharged, Single Head	CTP3116043A	Out of Frame OH Gasket Set
					CTP3116043B	Inframe OH Set
					CTP3116043C	Cylinder Head Repl. Gasket Set
3RJ	3RJ01-UP	5R-8668, 100-5167, 118-9577, 143-7779	TRUCK	Turbocharged, Single Head	CTP3116143A	Out of Frame OH Gasket Set
					CTP3116143B	Inframe OH Set
					CTP3116143C	Cylinder Head Repl. Gasket Set
4KG	4KG1-9870	7C6629, 4P9562, 6I0305, 6I4190, 6I4188, 4P9563, 6I0306, 6I4191, 6I4189, 10I9408, 6I0307, 6I4192, 13I7879	MARINE	Turbocharged, Single Head, Water Aftercooled	CTP3116002A	Out of Frame OH Gasket Set
					CTP3116002B	Inframe OH Set
					CTP3116002C	Cylinder Head Repl. Gasket Set
4PG	4PG00587-UP	6I-2322, 7E-0824, 7E-2963, 112-9040	TRUCK, INDUSTRIAL, MACHINE	Turbocharged, Single Head	CTP3116142A	Out of Frame OH Gasket Set
					CTP3116142B	Inframe OH Set
					CTP3116142C	Cylinder Head Repl. Gasket Set
4PG	4PG00587-UP	7E-1085, 7E-2963, 120-4814	TRUCK, INDUSTRIAL, MACHINE	Turbocharged, Single Head	CTP3116144A	Out of Frame OH Gasket Set
					CTP3116144B	Inframe OH Set
					CTP3116144C	Cylinder Head Repl. Gasket Set
4TF	4TF01-UP	101-1683	322 322L TRACK-TYPE EXCAVATORS	Turbocharged, Single Head	CTP3116051A	Out of Frame OH Gasket Set
					CTP3116051C	Cylinder Head Repl. Gasket Set
	4TF12112, 4TF49404	1013146, 1298072, 1013148, 1584173, 1013149, 1183599	325, 325L, 325LN, 950F, M318 EXCAVATOR	Turbocharged, Single Head	CTP3116001A	Out of Frame OH Gasket Set
					CTP3116001B	Inframe OH Set
					CTP3116001C	Cylinder Head Repl. Gasket Set
	4TF14130-UP	103-1978	928F, WHEEL LOADER, IT38F, INTEGRATED TOOLCARRIER	Turbocharged, Single Head	CTP3116062A	Out of Frame OH Gasket Set
CTP3116062B					Inframe OH Set	
CTP3116062C					Cylinder Head Repl. Gasket Set	

Prefix	Serial No.	Arrangement	Application	Comments	Part Number	Description
4TF	4TF10150-UP	103-1980	960F, WHEEL LOADER	Turbocharged, Single Head	CTP3116070A	Out of Frame OH Gasket Set
					CTP3116070B	Inframe OH Set
					CTP3116070C	Cylinder Head Repl. Gasket Set
	4TF00114-UP	106-1758	950F SERIES II, WHEEL LOADER	Turbocharged, Single Head	CTP3116064A	Out of Frame OH Gasket Set
					CTP3116064B	Inframe OH Set
					CTP3116064C	Cylinder Head Repl. Gasket Set
	4TF01-UP	107-4935	D6M & D6M LGP TRACK TYPE, TRACTORS	Turbocharged, Single Head	CTP3116081A	Out of Frame OH Gasket Set
					CTP3116081B	Inframe OH Set
					CTP3116081C	Cylinder Head Repl. Gasket Set
	4TF11600-UP	113-1724	322 L, 322 LN, 322 N, EXCAVATOR	Turbocharged, Single Head	CTP3116052A	Out of Frame OH Gasket Set
					CTP3116052B	Inframe OH Set
					CTP3116052C	Cylinder Head Repl. Gasket Set
	4TF01-UP	114-3674	MACHINE	Turbocharged, Single Head	CTP3116077A	Out of Frame OH Gasket Set
					CTP3116077B	Inframe OH Set
					CTP3116077C	Cylinder Head Repl. Gasket Set
	4TF01-UP	114-3675	MACHINE	Turbocharged, Single Head	CTP3116079A	Out of Frame OH Gasket Set
					CTP3116079B	Inframe OH Set
					CTP3116079C	Cylinder Head Repl. Gasket Set
	4TF23390-UP	114-4508	561M, D5M, D5M LGP, TRACTORS	Turbocharged, Single Head	CTP3116058A	Out of Frame OH Gasket Set
					CTP3116058B	Inframe OH Set
					CTP3116058C	Cylinder Head Repl. Gasket Set
	4TF01-UP	114-7159	963B, TRACK TYPE LOADER	Turbocharged, Single Head	CTP3116072A	Out of Frame OH Gasket Set
					CTP3116072B	Inframe OH Set
					CTP3116072C	Cylinder Head Repl. Gasket Set
	4TF29125-UP	115-5937, 115-5938	325B L, 325B LN EXCAVATORS	Turbocharged, Single Head	CTP3116005A	Out of Frame OH Gasket Set
					CTP3116005B	Inframe OH Set
					CTP3116005C	Cylinder Head Repl. Gasket Set
	4TF19620-UP	116-4803	953C, TRACK TYPE LOADER, HYDROSTATIC DRIVE	Turbocharged, Single Head	CTP3116068A	Out of Frame OH Gasket Set
					CTP3116068B	Inframe OH Set
					CTP3116068C	Cylinder Head Repl. Gasket Set
4TF20681-UP	116-7959	950F SERIES II, WHEEL LOADER	Turbocharged, Single Head	CTP3116065A	Out of Frame OH Gasket Set	
				CTP3116065B	Inframe OH Set	
				CTP3116065C	Cylinder Head Repl. Gasket Set	
4TF17400-UP	117-5187	963B, TRACK TYPE LOADER	Turbocharged, Single Head	CTP3116073A	Out of Frame OH Gasket Set	
				CTP3116073B	Inframe OH Set	
				CTP3116073C	Cylinder Head Repl. Gasket Set	

Prefix	Serial No.	Arrangement	Application	Comments	Part Number	Description
4TF	4TF14681-UP	118-3600	M318, M320, EXCAVATOR	Similar to CTP3116084 Must check Sub Gasket kits	CTP3116047A	Out of Frame OH Gasket Set
					CTP3116047B	Inframe OH Set
					CTP3116047C	Cylinder Head Repl. Gasket Set
					Similar to CTP3116047 Must check Sub Gasket kits	CTP3116084A
	CTP3116084B	Inframe OH Set				
	CTP3116084C	Cylinder Head Repl. Gasket Set				
	4TF01-UP	120-4814, 131-3804	322B L, EXCAVATORS	Turbocharged, Single Head	CTP3116053A	Out of Frame OH Gasket Set
					CTP3116053B	Inframe OH Set
					CTP3116053C	Cylinder Head Repl. Gasket Set
	4TF01-UP	120-4815	322B L & 322B LN, EXCAVATOR	Turbocharged, Single Head	CTP3116085A	Out of Frame OH Gasket Set
					CTP3116085B	Inframe OH Set
					CTP3116085C	Cylinder Head Repl. Gasket Set
	4TF01-UP	120-7719	320B, 320B L, 320B LN, 320B N & 320B S, EXCAVATORS	Turbocharged, Single Head	CTP3116048A	Out of Frame OH Gasket Set
					CTP3116048B	Inframe OH Set
					CTP3116048C	Cylinder Head Repl. Gasket Set
	4TF10150-UP	123-7734	960F, WHEEL LOADER	Turbocharged, Single Head	CTP3116071A	Out of Frame OH Gasket Set
					CTP3116071B	Inframe OH Set
					CTP3116071C	Cylinder Head Repl. Gasket Set
	4TF35104-UP	127-1023	963C, TRACK TYPE LOADER	Turbocharged, Single Head	CTP3116074A	Out of Frame OH Gasket Set
					CTP3116074B	Inframe OH Set
					CTP3116074C	Cylinder Head Repl. Gasket Set
	4TF28600-UP	133-8829	938F, IT38F WHEEL LOADER, INTEGRATED TOOLCARRIER	Turbocharged, Single Head	CTP3116010A	Out of Frame OH Gasket Set
					CTP3116010B	Inframe OH Set
					CTP3116010C	Cylinder Head Repl. Gasket Set
	4TF28174-UP	133-8856	322 L, 322 LN, 322 N, EXCAVATORS	Turbocharged, Single Head	CTP3116054A	Out of Frame OH Gasket Set
					CTP3116054B	Inframe OH Set
					CTP3116054C	Cylinder Head Repl. Gasket Set
	4TF01-UP	147-1753	953C TRACK LOADER	Turbocharged, Single Head	CTP3116061A	Out of Frame OH Gasket Set
					CTP3116061B	Inframe OH Set
					CTP3116061C	Cylinder Head Repl. Gasket Set
4TF05805-UP	4P-0844	CS-583, CS-533, CS-531, CS-563, CP-563, CS-573, VIBRATORY COMPACTORS	Turbocharged, Single Head	CTP3116057A	Out of Frame OH Gasket Set	
				CTP3116057B	Inframe OH Set	
				CTP3116057C	Cylinder Head Repl. Gasket Set	
4TF01-UP	4P-2400	613C, WHEEL TRACTOR / SCRAPER	Turbocharged, Single Head	CTP3116059A	Out of Frame OH Gasket Set	
				CTP3116059B	Inframe OH Set	
				CTP3116059C	Cylinder Head Repl. Gasket Set	

Prefix	Serial No.	Arrangement	Application	Comments	Part Number	Description
4TF	4TF00114-UP	4P-9992	950F SERIES II, WHEEL LOADER	Turbocharged, Single Head	CTP3116066A	Out of Frame OH Gasket Set
					CTP3116066B	Inframe OH Set
					CTP3116066C	Cylinder Head Repl. Gasket Set
	4TF01-UP	6C-9319	320, 320L & 320N EXCAVATORS	Turbocharged, Single Head	CTP3116146A	Out of Frame OH Gasket Set
					CTP3116146B	Inframe OH Set
					CTP3116146C	Cylinder Head Repl. Gasket Set
	4TF03496-UP	6I-0793	953B, TRACK TYPE LOADER	Turbocharged, Single Head	CTP3116069A	Out of Frame OH Gasket Set
					CTP3116069B	Inframe OH Set
					CTP3116069C	Cylinder Head Repl. Gasket Set
	4TF04123-UP	6I-2111	320, 320L, 320N, 320S, EXCAVATORS	Turbocharged, Single Head	CTP3116049A	Out of Frame OH Gasket Set
					CTP3116049B	Inframe OH Set
					CTP3116049C	Cylinder Head Repl. Gasket Set
	4TF01-UP	6I-2322, 7E-0576, 112-9040, 133-8829	TRUCK, INDUSTRIAL, MACHINE	Turbocharged, Single Head	CTP3116139A	Out of Frame OH Gasket Set
					CTP3116139B	Inframe OH Set
					CTP3116139C	Cylinder Head Repl. Gasket Set
	4TF16569-UP	6I-3038, 111-7717, 111-7718	CS-583, CP-533C, CS- 533C, CS-533, CS-531, CP-563C, CS-563C, CS- 563, CP-563, CS-573C, CS-583C, CS-573, CS-531C, VIBRATORY COMPACTORS	Turbocharged, Single Head	CTP3116076A	Out of Frame OH Gasket Set
					CTP3116076B	Inframe OH Set
					CTP3116076C	Cylinder Head Repl. Gasket Set
	4TF17400-UP 4TF17400-4TF99999	6I-3528	963B, TRACK TYPE LOADER	Turbocharged, Single Head	CTP3116075A	Out of Frame OH Gasket Set
					CTP3116075A	Inframe OH Set
					CTP3116075C	Cylinder Head Repl. Gasket Set
	4TF01-UP	7C1135	214B & 214BFT, 224B, EXCAVATOR WHEEL TYPE	Turbocharged, Single Head	CTP3116046A	Out of Frame OH Gasket Set
					CTP3116046B	Inframe OH Set
					CTP3116046C	Cylinder Head Repl. Gasket Set
	4TF08700-UP	7C-9097, 6I-2803, 7C-9097, 6I-2803	928F, WHEEL LOADER, IT28F, INTEGRATED TOOLCARRIER	Turbocharged, Single Head	CTP3116060A	Out of Frame OH Gasket Set
					CTP3116060B	Inframe OH Set
					CTP3116060C	Cylinder Head Repl. Gasket Set
	4TF01-UP	7E-0576	950F SERIES II, WHEEL LOADER	Turbocharged, Single Head	CTP3116067A	Out of Frame OH Gasket Set
					CTP3116067B	Inframe OH Set
					CTP3116067C	Cylinder Head Repl. Gasket Set
4TF01-UP	7E-1085, 7E-2963, 120-4814	TRUCK, INDUSTRIAL, MACHINE	Turbocharged, Single Head	CTP3116144A	Out of Frame OH Gasket Set	
				CTP3116144B	Inframe OH Set	
				CTP3116144C	Cylinder Head Repl. Gasket Set	

Prefix	Serial No.	Arrangement	Application	Comments	Part Number	Description
4TF	4TF02055-UP	7E-7907	D20D & D250D, ARTICULATED TRUCK	Turbocharged, Single Head	CTP3116078A	Out of Frame OH Gasket Set
					CTP3116078B	Inframe OH Set
					CTP3116078C	Cylinder Head Repl. Gasket Set
	4TF01-UP	7E-9899	320, 320L TRACK-TYPE EXCAVATORS	Turbocharged, Single Head	CTP3116050A	Out of Frame OH Gasket Set
					CTP3116050B	Inframe OH Set
					CTP3116050C	Cylinder Head Repl. Gasket Set
	4TF01-UP	7W-6852	E200B, EL200B EXCAVATORS	Turbocharged, Single Head	CTP3116015A	Out of Frame OH Gasket Set
					CTP3116015B	Inframe OH Set
					CTP3116015C	Cylinder Head Repl. Gasket Set
	4TF01-UP	7W-6852, 118-0904, 154-6045	MACHINE	Turbocharged, Single Head	CTP3116145A	Out of Frame OH Gasket Set
					CTP3116145B	Inframe OH Set
					CTP3116145C	Cylinder Head Repl. Gasket Set
	4TF01-UP	7W-9478	214B & 214B FT, EXCAVATOR WHEEL TYPE	Turbocharged, Single Head	CTP3116044A	Out of Frame OH Gasket Set
					CTP3116044B	Inframe OH Set
					CTP3116044C	Cylinder Head Repl. Gasket Set
	4TF02055-UP	9Y-1932	325, 325L, 325LN, EXCAVATORS	Turbocharged, Single Head	CTP3116056A	Out of Frame OH Gasket Set
					CTP3116056B	Inframe OH Set
					CTP3116056C	Cylinder Head Repl. Gasket Set
	4TF00748-UP	9Y-5173	213B, EXCAVATOR TRACK TYPE	Turbocharged, Single Head	CTP3116045A	Out of Frame OH Gasket Set
					CTP3116045B	Inframe OH Set
CTP3116045C					Cylinder Head Repl. Gasket Set	
4TF02055-UP	9Y-8271	D20D & D250D, ARTICULATED TRUCK	Turbocharged, Single Head	CTP3116080A	Out of Frame OH Gasket Set	
				CTP3116080B	Inframe OH Set	
				CTP3116080C	Cylinder Head Repl. Gasket Set	
5EN	5EN01-UP	6I-2327, 6I-3038, 114-2910, 153-9720	TRUCK, INDUSTRIAL, MACHINE	Turbocharged, Single Head	CTP3116141A	Out of Frame OH Gasket Set
					CTP3116141B	Inframe OH Set
					CTP3116141C	Cylinder Head Repl. Gasket Set
6RR	6RR01-UP	118-0904	928G , IT28G, WHEEL LOADER, INTEGRATED TOOLCARRIER	Turbocharged, Single Head	CTP3116086A	Out of Frame OH Gasket Set
					CTP3116086B	Inframe OH Set
					CTP3116086C	Cylinder Head Repl. Gasket Set
6RR01-UP	7W-6852, 118-0904, 154-6045	MACHINE	Turbocharged, Single Head	CTP3116145A	Out of Frame OH Gasket Set	
				CTP3116145B	Inframe OH Set	
				CTP3116145C	Cylinder Head Repl. Gasket Set	
7AG	7AG01-UP	5R-8668, 100-5167, 118-9577, 143-7779	TRUCK	Turbocharged, Single Head	CTP3116143A	Out of Frame OH Gasket Set
					CTP3116143B	Inframe OH Set
					CTP3116143C	Cylinder Head Repl. Gasket Set

Prefix	Serial No.	Arrangement	Application	Comments	Part Number	Description
7HS	7HS00001-7HS01806	133-2151, 101-3149, 106-7836, 153-9720, 121-3213, 178-4491	TRUCK	Turbocharged, Single Head	CTP3116137A	Out of Frame OH Gasket Set
					CTP3116137B	Inframe OH Set
					CTP3116137C	Cylinder Head Repl. Gasket Set
7JL	7JL01-UP	1013146, 1298072, 1013148, 1584173, 1013149, 1183599	325, 325L, 325LN, 950F, M318 EXCAVATOR	Turbocharged, Single Head	CTP3116001A	Out of Frame OH Gasket Set
					CTP3116001B	Inframe OH Set
					CTP3116001C	Cylinder Head Repl. Gasket Set
	7JL01-UP	133-1651, 101-3146, 108-3110, 119-7799, 117-4665, 143-7779	TRUCK	Turbocharged, Single Head	CTP3116140A	Out of Frame OH Gasket Set
					CTP3116140B	Inframe OH Set
					CTP3116140C	Cylinder Head Repl. Gasket Set
	7JL01-UP	133-2151, 101-3149, 106-7836, 153-9720, 121-3213, 178-4491	TRUCK	Turbocharged, Single Head	CTP3116137A	Out of Frame OH Gasket Set
					CTP3116137B	Inframe OH Set
					CTP3116137C	Cylinder Head Repl. Gasket Set
7JS	7JS01-UP	107-4935	D6M TRACK-TYPE, TRACTOR POWER SHIFT, TRACTOR XL D6M TRACK-TYPE, TRACTOR POWER SHIFT, TRACTOR XL	Turbocharged, Single Head	CTP3116014A	Out of Frame OH Gasket Set
					CTP3116014B	Inframe OH Set
					CTP3116014C	Cylinder Head Repl. Gasket Set
	7JS01-UP	116-5807, 124-1564	D6M TRACK-TYPE, TRACTOR POWER SHIFT, TRACTOR XL, 120H MOTOR GRADER	Turbocharged, Single Head	CTP3116087A	Out of Frame OH Gasket Set
					CTP3116087B	Inframe OH Set
					CTP3116087C	Cylinder Head Repl. Gasket Set
	7JS01-UP	146-8342	D6M TRACK TYPE, TRACTOR POWER SHIFT, TRACTOR XL	Turbocharged, Single Head	CTP3116088A	Out of Frame OH Gasket Set
					CTP3116088B	Inframe OH Set
					CTP3116088C	Cylinder Head Repl. Gasket Set
7SF	7SF00001-7SF19179	6I-2322, 7E-0824, 7E-2963, 112-9040	TRUCK, INDUSTRIAL, MACHINE	Turbocharged, Single Head	CTP3116142A	Out of Frame OH Gasket Set
					CTP3116142B	Inframe OH Set
					CTP3116142C	Cylinder Head Repl. Gasket Set
98Z	98Z01-UP	100-5839, 100-7024	950F SERIES II, WHEEL LOADER	Turbocharged, Single Head	CTP3116114A	Out of Frame OH Gasket Set
					CTP3116114B	Inframe OH Set
					CTP3116114C	Cylinder Head Repl. Gasket Set
	98Z01-UP	101-4871	325, 325L EXCAVATOR	Turbocharged, Single Head	CTP3116102A	Out of Frame OH Gasket Set
					CTP3116102B	Inframe OH Set
					CTP3116102C	Cylinder Head Repl. Gasket Set
	98Z01-UP	101-7527	928F, WHEEL LOADER	Turbocharged, Single Head	CTP3116109A	Out of Frame OH Gasket Set
					CTP3116109B	Inframe OH Set
					CTP3116109C	Cylinder Head Repl. Gasket Set

Prefix	Serial No.	Arrangement	Application	Comments	Part Number	Description
98Z	98Z00820-UP	101-7528	1T28F, INTEGRATED TOOLCARRIER	Turbocharged, Single Head	CTP3116136A	Out of Frame OH Gasket Set
					CTP3116136B	Inframe OH Set
					CTP3116136C	Cylinder Head Repl. Gasket Set
	98Z01-UP	103-1978	938F, IT38F, WHEEL LOADER, INTEGRATED TOOLCARRIER	Turbocharged, Single Head	CTP3116112A	Out of Frame OH Gasket Set
					CTP3116112B	Inframe OH Set
					CTP3116112C	Cylinder Head Repl. Gasket Set
	98Z00272-UP	104-3000, 112-1684	AP-1000, AP-1050, ASPHALT PAVER	Turbocharged, Single Head	CTP3116124A	Out of Frame OH Gasket Set
					CTP3116124B	Inframe OH Set
					CTP3116124C	Cylinder Head Repl. Gasket Set
	98Z01135-UP	105-4404	AP-1050B, BARBER-GREENE BG-245C, AP-1055B, BARBER-GREENE BG-2455C, ASPHALT PAVER	Turbocharged, Single Head	CTP3116127A	Out of Frame OH Gasket Set
					CTP3116127B	Inframe OH Set
					CTP3116127C	Cylinder Head Repl. Gasket Set
	98Z01230-UP	105-6144	CB-634C, CB-634, VIBRATORY COMPACTOR	Turbocharged, Single Head	CTP3116131A	Out of Frame OH Gasket Set
					CTP3116131B	Inframe OH Set
					CTP3116131C	Cylinder Head Repl. Gasket Set
	98Z02350-UP	106-1756	950F SERIES II, WHEEL LOADER	Turbocharged, Single Head	CTP3116116A	Out of Frame OH Gasket Set
					CTP3116116B	Inframe OH Set
					CTP3116116C	Cylinder Head Repl. Gasket Set
	98Z01750-UP	106-4772, 108-2294	960F, WHEEL LOADER	Turbocharged, Single Head	CTP3116119A	Out of Frame OH Gasket Set
					CTP3116119B	Inframe OH Set
					CTP3116119C	Cylinder Head Repl. Gasket Set
	98Z04350-UP	108-8300	CHALLENGER 35 & 45, MACHINE	Turbocharged, Single Head	CTP3116105A	Out of Frame OH Gasket Set
					CTP3116105B	Inframe OH Set
					CTP3116105C	Cylinder Head Repl. Gasket Set
	98Z04350-UP	108-8301	CHALLENGER 35 & 45, TRACTOR	Turbocharged, Single Head	CTP3116104A	Out of Frame OH Gasket Set
					CTP3116104B	Inframe OH Set
					CTP3116104C	Cylinder Head Repl. Gasket Set
98Z04100-UP	110-8741	120H MOTOR GRADER	Turbocharged, Single Head	CTP3116090A	Out of Frame OH Gasket Set	
				CTP3116090B	Inframe OH Set	
				CTP3116090C	Cylinder Head Repl. Gasket Set	
98Z04100-UP	110-8742	135H MOTOR GRADER	Turbocharged, Single Head	CTP3116097A	Out of Frame OH Gasket Set	
				CTP3116097B	Inframe OH Set	
				CTP3116097C	Cylinder Head Repl. Gasket Set	
98Z14398-UP	112-9039	950F SERIES II, WHEEL LOADER	Turbocharged, Single Head	CTP3116117A	Out of Frame OH Gasket Set	
				CTP3116117B	Inframe OH Set	
				CTP3116117C	Cylinder Head Repl. Gasket Set	

Prefix	Serial No.	Arrangement	Application	Comments	Part Number	Description
98Z	98Z01-UP	112-9040	960F, WHEEL LOADER	Turbocharged, Single Head	CTP3116121A	Out of Frame OH Gasket Set
					CTP3116121B	Inframe OH Set
					CTP3116121C	Cylinder Head Repl. Gasket Set
	98Z04000-UP	113-1724	322L EXCAVATOR	Turbocharged, Single Head	CTP3116100A	Out of Frame OH Gasket Set
					CTP3116100B	Inframe OH Set
					CTP3116100C	Cylinder Head Repl. Gasket Set
	98Z04100-UP	116-5807, 124-1564	D6M TRACK-TYPE, TRACTOR POWER SHIFT, TRACTOR XL, 120H MOTOR GRADER	Turbocharged, Single Head	CTP3116087A	Out of Frame OH Gasket Set
					CTP3116087B	Inframe OH Set
					CTP3116087C	Cylinder Head Repl. Gasket Set
	98Z08480-UP	116-7958	950F SERIES II, WHEEL LOADER	Turbocharged, Single Head	CTP3116118A	Out of Frame OH Gasket Set
					CTP3116118B	Inframe OH Set
					CTP3116118C	Cylinder Head Repl. Gasket Set
	98Z08480-UP	116-7960	960F, WHEEL LOADER	Turbocharged, Single Head	CTP3116122A	Out of Frame OH Gasket Set
					CTP3116122B	Inframe OH Set
					CTP3116122C	Cylinder Head Repl. Gasket Set
	98Z01-UP	118-7663	613C, WHEEL TRACTOR		CTP3116107A	Out of Frame OH Gasket Set
					CTP3116107B	Inframe OH Set
					CTP3116107C	Cylinder Head Repl. Gasket Set
	98Z16500-UP	120-4814, 131-3804	322B L, EXCAVATORS	Turbocharged, Single Head	CTP3116053A	Out of Frame OH Gasket Set
					CTP3116053B	Inframe OH Set
					CTP3116053C	Cylinder Head Repl. Gasket Set
	98Z14252-UP	130-9242	BG265	Turbocharged, Single Head	CTP3116130A	Out of Frame OH Gasket Set
					CTP3116130B	Inframe OH Set
					CTP3116130C	Cylinder Head Repl. Gasket Set
	98Z00001-UP	131-3803	325B L ,M325B EXCAVATOR, MACHINE, MATERIAL HANDLER	Turbocharged, Single Head	CTP3116103A	Out of Frame OH Gasket Set
					CTP3116103B	Inframe OH Set
					CTP3116103C	Cylinder Head Repl. Gasket Set
	98Z16276-UP	133-4245	AP-1050B, BARBER-GREENE BG-245C, 1055B, BARBER-GREENE BG-2455C, BG260, ASPHALT PAVER	Turbocharged, Single Head	CTP3116128A	Out of Frame OH Gasket Set
					CTP3116128B	Inframe OH Set
					CTP3116128C	Cylinder Head Repl. Gasket Set
98Z15855-UP	133-4246	CB-634C, VIBRATORY COMPACTOR	Turbocharged, Single Head	CTP3116132A	Out of Frame OH Gasket Set	
				CTP3116132B	Inframe OH Set	
				CTP3116132C	Cylinder Head Repl. Gasket Set	

Prefix	Serial No.	Arrangement	Application	Comments	Part Number	Description
98Z	98Z16285-UP	133-4247	CS-563C, CP-563C, CS-583C, VIBRATORY COMPACTOR	Turbocharged, Single Head	CTP3116135A	Out of Frame OH Gasket Set
					CTP3116135B	Inframe OH Set
					CTP3116135C	Cylinder Head Repl. Gasket Set
	98Z01610-UP	133-4249	AP-1000, ASPHALT PAVER	Turbocharged, Single Head	CTP3116125A	Out of Frame OH Gasket Set
					CTP3116125B	Inframe OH Set
					CTP3116125C	Cylinder Head Repl. Gasket Set
	98Z01-UP	133-8829	938F , IT38F WHEEL LOADER, INTEGRATED TOOLCARRIER	Turbocharged, Single Head	CTP3116010A	Out of Frame OH Gasket Set
					CTP3116010B	Inframe OH Set
					CTP3116010C	Cylinder Head Repl. Gasket Set
	98Z01-UP	146-8336	120H MOTOR GRADER	Turbocharged, Single Head	CTP3116093A	Out of Frame OH Gasket Set
					CTP3116093B	Inframe OH Set
					CTP3116093C	Cylinder Head Repl. Gasket Set
	98Z22034-UP	146-8338	120H MOTOR GRADER	Turbocharged, Single Head	CTP3116094A	Out of Frame OH Gasket Set
					CTP3116094B	Inframe OH Set
					CTP3116094C	Cylinder Head Repl. Gasket Set
	98Z22034-UP	146-8341	120H MOTOR GRADER	Turbocharged, Single Head	CTP3116095A	Out of Frame OH Gasket Set
					CTP3116095B	Inframe OH Set
					CTP3116095C	Cylinder Head Repl. Gasket Set
	98Z14200-UP	146-8344 146-8346	135H MOTOR GRADER	Turbocharged, Single Head	CTP3116098A	Out of Frame OH Gasket Set
					CTP3116098B	Inframe OH Set
					CTP3116098C	Cylinder Head Repl. Gasket Set
	98Z01-UP	154-6045	CHALLENGER 35 & 45, TRACTOR 80 ( 2032MM) TRACTOR 60 (1524 MM)	Turbocharged, Single Head	CTP3116106A	Out of Frame OH Gasket Set
					CTP3116106B	Inframe OH Set
					CTP3116106C	Cylinder Head Repl. Gasket Set
	98Z28633-UP	158-3335	928G, WHEEL LOADER	Turbocharged, Single Head	CTP3116110A	Out of Frame OH Gasket Set
					CTP3116110B	Inframe OH Set
					CTP3116110C	Cylinder Head Repl. Gasket Set
	98Z01-UP	4P-2400	613C, WHEEL TRACTOR	Turbocharged, Single Head	CTP3116108A	Out of Frame OH Gasket Set
					CTP3116108B	Inframe OH Set
					CTP3116108C	Cylinder Head Repl. Gasket Set
98Z01-UP	6I-2322, 7E-0824, 112-9040, 133-8829	TRUCK, INDUSTRIAL, MACHINE	Turbocharged, Single Head	CTP3116139A	Out of Frame OH Gasket Set	
				CTP3116139B	Inframe OH Set	
				CTP3116139C	Cylinder Head Repl. Gasket Set	
98Z01-UP	6I-2322, 7E-0824, 7E-2963, 112-9040	TRUCK, INDUSTRIAL, MACHINE	Turbocharged, Single Head	CTP3116142A	Out of Frame OH Gasket Set	
				CTP3116142B	Inframe OH Set	
				CTP3116142C	Cylinder Head Repl. Gasket Set	

Prefix	Serial No.	Arrangement	Application	Comments	Part Number	Description
98Z	98Z01-UP	6I-3038, 111-7717, 111-7718	CS-583, CP-533C, CS-533C, CS-533, CS-531, CP-563C, CS-563C, CS-563, CP-563, CS-573C, CS-583C, CS-573, CS-531C, VIBRATORY COMPACTORS	Turbocharged, Single Head	CTP3116076A	Out of Frame OH Gasket Set
					CTP3116076B	Inframe OH Set
					CTP3116076C	Cylinder Head Repl. Gasket Set
	98Z01-UP	6I-3039	AP-1050, ASPHALT PAVER	Turbocharged, Single Head	CTP3116126A	Out of Frame OH Gasket Set
					CTP3116126B	Inframe OH Set
					CTP3116126C	Cylinder Head Repl. Gasket Set
	98Z01-UP	6I-3657	960	Turbocharged, Single Head	CTP3116123A	Out of Frame OH Gasket Set
					CTP3116123B	Inframe OH Set
					CTP3116123C	Cylinder Head Repl. Gasket Set
	98Z00131-UP	7C-9097, 6I-2803, 7C-9097, 6I-2803	928F, WHEEL LOADER, IT28F, INTEGRATED TOOLCARRIER	Turbocharged, Single Head	CTP3116060A	Out of Frame OH Gasket Set
					CTP3116060B	Inframe OH Set
					CTP3116060C	Cylinder Head Repl. Gasket Set
98Z01377-UP	7E-3352	120H MOTOR GRADER	Turbocharged, Single Head	CTP3116096A	Out of Frame OH Gasket Set	
				CTP3116096B	Inframe OH Set	
				CTP3116096C	Cylinder Head Repl. Gasket Set	
98Z01-UP	7W-6852, 118-0904, 154-6045	MACHINE	Must check Sub Gasket kits	CTP3116145A	Out of Frame OH Gasket Set	
				CTP3116145B	Inframe OH Set	
				CTP3116145C	Cylinder Head Repl. Gasket Set	
9GK	9GK00001-9GK70157	133-1651, 101-3146, 108-3110, 119-7799, 117-4665, 143-7779	TRUCK	Turbocharged, Single Head	CTP3116140A	Out of Frame OH Gasket Set
					CTP3116140B	Inframe OH Set
					CTP3116140C	Cylinder Head Repl. Gasket Set
	9GK00001-9GK70157	133-2151, 101-3149, 106-7836, 153-9720, 121-3213, 178-4491	TRUCK	Turbocharged, Single Head	CTP3116137A	Out of Frame OH Gasket Set
					CTP3116137B	Inframe OH Set
					CTP3116137C	Cylinder Head Repl. Gasket Set
	9GK00001-9GK70157	4P-1533, 106-7885, 153-9720	TRUCK	Turbocharged, Single Head	CTP3116138A	Out of Frame OH Gasket Set
					CTP3116138B	Inframe OH Set
					CTP3116138C	Cylinder Head Repl. Gasket Set
9LN	9LN00658-9LN08668	133-1651, 101-3146, 108-3110, 119-7799, 117-4665, 143-7779	TRUCK	Turbocharged, Single Head	CTP3116140A	Out of Frame OH Gasket Set
					CTP3116140B	Inframe OH Set
					CTP3116140C	Cylinder Head Repl. Gasket Set
	9LN01-UP	133-2151, 101-3149, 106-7836, 153-9720, 121-3213, 178-4491	TRUCK	Turbocharged, Single Head	CTP3116137A	Out of Frame OH Gasket Set
					CTP3116137B	Inframe OH Set
					CTP3116137C	Cylinder Head Repl. Gasket Set

Prefix	Serial No.	Arrangement	Application	Comments	Part Number	Description
9YN	9LN01-UP	4P-1533, 106-7885, 153-9720	TRUCK	Turbocharged, Single Head	CTP3116138A	Out of Frame OH Gasket Set
					CTP3116138B	Inframe OH Set
					CTP3116138C	Cylinder Head Repl. Gasket Set
	9YN00001-9YN04624	133-1651, 101-3146, 108-3110, 119-7799, 117-4665, 143-7779	TRUCK	Turbocharged, Single Head	CTP3116140A	Out of Frame OH Gasket Set
					CTP3116140B	Inframe OH Set
					CTP3116140C	Cylinder Head Repl. Gasket Set
	9YN00503-UP	133-2151, 101-3149, 106-7836, 153-9720, 121-3213, 178-4491	TRUCK	Turbocharged, Single Head	CTP3116137A	Out of Frame OH Gasket Set
					CTP3116137B	Inframe OH Set
					CTP3116137C	Cylinder Head Repl. Gasket Set

## 3126

Prefix	Serial No.	Arrangement	Application	Comments	Part Number	Description
1BW	1BW01-UP	130-1500	3126, TRUCK ENGINE (MILITARY)	Turbocharged, Single Head	CTP3126014A	Out of Frame OH Gasket Set
					CTP3126014B	Inframe OH Set
					CTP3126014C	Cylinder Head Repl. Gasket Set
1WM	1WM00094-UP	116-4558	3126, TRUCK ENGINE	Turbocharged, Single Head	CTP3126015A	Out of Frame OH Gasket Set
					CTP3126015B	Inframe OH Set
					CTP3126015C	Cylinder Head Repl. Gasket Set
	1WM01-UP	120-6662, 121-4321, 121-4323, 121-4324, 121-4325	3126, TRUCK ENGINE	Turbocharged, Single Head	CTP3126016A	Out of Frame OH Gasket Set
					CTP3126016B	Inframe OH Set
					CTP3126016C	Cylinder Head Repl. Gasket Set
	1WM00203-1WM00887	120-8256, 120-8257, 120-8258, 120-8259, 120-8260, 120-8261	3126, TRUCK ENGINE	Turbocharged, Single Head	CTP3126018A	Out of Frame OH Gasket Set
					CTP3126018B	Inframe OH Set
					CTP3126018C	Cylinder Head Repl. Gasket Set
	1WM00203-1WM00887	120-8262, 120-8263, 120-8264, 120-8265, 120-8266, 120-8267, 120-8271	3126, TRUCK ENGINE	Turbocharged, Single Head	CTP3126019A	Out of Frame OH Gasket Set
					CTP3126019B	Inframe OH Set
					CTP3126019C	Cylinder Head Repl. Gasket Set
	1WM00203-1WM00887	120-8268, 120-8269	3126, TRUCK ENGINE	Turbocharged, Single Head	CTP3126020A	Out of Frame OH Gasket Set
					CTP3126020B	Inframe OH Set
					CTP3126020C	Cylinder Head Repl. Gasket Set
1WM00203-1WM00887	120-8270, 125-0551, 125-0552, 125-0553, 125-0554, 125-0555	3126, TRUCK ENGINE	Turbocharged, Single Head	CTP3126021A	Out of Frame OH Gasket Set	
				CTP3126021B	Inframe OH Set	
				CTP3126021C	Cylinder Head Repl. Gasket Set	
1WM00203-1WM00887	120-8272	3126, TRUCK ENGINE	Turbocharged, Single Head	CTP3126023A	Out of Frame OH Gasket Set	
				CTP3126023B	Inframe OH Set	
				CTP3126023C	Cylinder Head Repl. Gasket Set	

Prefix	Serial No.	Arrangement	Application	Comments	Part Number	Description
1WM	1WM0001-1WM00202, 1WM00124-1WM00202, 1WM00141-1WM00209	121-4326, 122-1709, 123-0860, 123-0865	3126, TRUCK ENGINE	Turbocharged, Single Head	CTP3126017A	Out of Frame OH Gasket Set
					CTP3126017B	Inframe OH Set
					CTP3126017C	Cylinder Head Repl. Gasket Set
	1WM00203-1WM00887	125-0556, 125-0557, 125-0558, 125-0559, 125-0560, 125-0561	3126, TRUCK ENGINE	Turbocharged, Single Head	CTP3126022A	Out of Frame OH Gasket Set
					CTP3126022B	Inframe OH Set
					CTP3126022C	Cylinder Head Repl. Gasket Set
	1WM00203-1WM00887	125-0562, 125-0563, 125-0564, 125-0565, 125-0566	3126, TRUCK ENGINE	Turbocharged, Single Head	CTP3126024A	Out of Frame OH Gasket Set
					CTP3126024B	Inframe OH Set
					CTP3126024C	Cylinder Head Repl. Gasket Set
	1WM00203-1WM00887	125-0567	3126, TRUCK ENGINE	Turbocharged, Single Head	CTP3126025A	Out of Frame OH Gasket Set
					CTP3126025B	Inframe OH Set
					CTP3126025C	Cylinder Head Repl. Gasket Set
	1WM00203-1WM00887	125-0568	3126, TRUCK ENGINE	Turbocharged, Single Head	CTP3126026A	Out of Frame OH Gasket Set
					CTP3126026B	Inframe OH Set
					CTP3126026C	Cylinder Head Repl. Gasket Set
	1WM01-UP	126-8620	3126, TRUCK ENGINE	Turbocharged, Single Head	CTP3126027A	Out of Frame OH Gasket Set
					CTP3126027B	Inframe OH Set
					CTP3126027C	Cylinder Head Repl. Gasket Set
	1WM01-UP	126-8621, 126-8628	3126, TRUCK ENGINE	Turbocharged, Single Head	CTP3126028A	Out of Frame OH Gasket Set
					CTP3126028B	Inframe OH Set
					CTP3126028C	Cylinder Head Repl. Gasket Set
	1WM01-UP	126-8622, 126-8627, 126-8630	3126, TRUCK ENGINE	Turbocharged, Single Head	CTP3126029A	Out of Frame OH Gasket Set
					CTP3126029B	Inframe OH Set
					CTP3126029C	Cylinder Head Repl. Gasket Set
	1WM01-UP	126-8623, 126-8624, 126-8625, 126-8645, 126-8646	3126, TRUCK ENGINE	Turbocharged, Single Head	CTP3126030A	Out of Frame OH Gasket Set
					CTP3126030B	Inframe OH Set
					CTP3126030C	Cylinder Head Repl. Gasket Set
	1WM01-UP	126-8626	3126, TRUCK ENGINE	Turbocharged, Single Head	CTP3126031A	Out of Frame OH Gasket Set
					CTP3126031B	Inframe OH Set
					CTP3126031C	Cylinder Head Repl. Gasket Set
	1WM01-UP	126-8629	3126, TRUCK ENGINE	Turbocharged, Single Head	CTP3126032A	Out of Frame OH Gasket Set
					CTP3126032B	Inframe OH Set
					CTP3126032C	Cylinder Head Repl. Gasket Set
	1WM01-UP	126-8631, 126-8632, 126-8633, 126-8634, 126-8635	3126, TRUCK ENGINE	Turbocharged, Single Head	CTP3126033A	Out of Frame OH Gasket Set
					CTP3126033B	Inframe OH Set
					CTP3126033C	Cylinder Head Repl. Gasket Set

Prefix	Serial No.	Arrangement	Application	Comments	Part Number	Description
1WM	1WM01-UP	126-8647, 126-8648, 126-8649, 126-8650, 126-8654	3126, TRUCK ENGINE	Turbocharged, Single Head	CTP3126034A	Out of Frame OH Gasket Set
					CTP3126034B	Inframe OH Set
					CTP3126034C	Cylinder Head Repl. Gasket Set
	1WM01-UP	126-8651, 126-8652, 126-8653, 128-5788	3126, TRUCK ENGINE	Turbocharged, Single Head	CTP3126035A	Out of Frame OH Gasket Set
					CTP3126035B	Inframe OH Set
					CTP3126035C	Cylinder Head Repl. Gasket Set
	1WM01-UP	126-8655, 126-8658, 126-8659, 126-8662	3126, TRUCK ENGINE	Turbocharged, Single Head	CTP3126036A	Out of Frame OH Gasket Set
					CTP3126036B	Inframe OH Set
					CTP3126036C	Cylinder Head Repl. Gasket Set
	1WM01-UP	126-8656	3126, TRUCK ENGINE	Turbocharged, Single Head	CTP3126037A	Out of Frame OH Gasket Set
					CTP3126037B	Inframe OH Set
					CTP3126037C	Cylinder Head Repl. Gasket Set
	1WM01-UP	126-8657	3126, TRUCK ENGINE	Turbocharged, Single Head	CTP3126038A	Out of Frame OH Gasket Set
					CTP3126038B	Inframe OH Set
					CTP3126038C	Cylinder Head Repl. Gasket Set
	1WM01-UP	126-8660	3126, TRUCK ENGINE	Turbocharged, Single Head	CTP3126039A	Out of Frame OH Gasket Set
					CTP3126039B	Inframe OH Set
					CTP3126039C	Cylinder Head Repl. Gasket Set
	1WM01-UP	126-8664	3126, TRUCK ENGINE	Turbocharged, Single Head	CTP3126040A	Out of Frame OH Gasket Set
					CTP3126040B	Inframe OH Set
					CTP3126040C	Cylinder Head Repl. Gasket Set
	1WM01-UP	126-8670, 127-1838, 128-5727	3126, TRUCK ENGINE	Turbocharged, Single Head	CTP3126041A	Out of Frame OH Gasket Set
					CTP3126041B	Inframe OH Set
					CTP3126041C	Cylinder Head Repl. Gasket Set
	1WM01-UP	126-8671	3126, TRUCK ENGINE	Turbocharged, Single Head	CTP3126042C	Cylinder Head Repl. Gasket Set
	1WM01-UP	126-8673	3126, TRUCK ENGINE	Turbocharged, Single Head	CTP3126043A	Out of Frame OH Gasket Set
					CTP3126043B	Inframe OH Set
					CTP3126043C	Cylinder Head Repl. Gasket Set
	1WM01-UP	127-1831	3126, TRUCK ENGINE	Turbocharged, Single Head	CTP3126044A	Out of Frame OH Gasket Set
					CTP3126044B	Inframe OH Set
					CTP3126044C	Cylinder Head Repl. Gasket Set
	1WM01-UP	127-1866, 128-5763	3126, TRUCK ENGINE	Turbocharged, Single Head	CTP3126045A	Out of Frame OH Gasket Set
					CTP3126045B	Inframe OH Set
					CTP3126045C	Cylinder Head Repl. Gasket Set
	1WM01-UP	127-1868	3126, TRUCK ENGINE	Turbocharged, Single Head	CTP3126046A	Out of Frame OH Gasket Set
					CTP3126046B	Inframe OH Set
					CTP3126046C	Cylinder Head Repl. Gasket Set



Prefix	Serial No.	Arrangement	Application	Comments	Part Number	Description
1WM	1WM01-UP	127-6531, 127-6570, 128-5789	3126, TRUCK ENGINE	Turbocharged, Single Head	CTP3126047A	Out of Frame OH Gasket Set
					CTP3126047B	Inframe OH Set
					CTP3126047C	Cylinder Head Repl. Gasket Set
	1WM01-UP	127-6563	3126, TRUCK ENGINE	Turbocharged, Single Head	CTP3126048A	Out of Frame OH Gasket Set
					CTP3126048B	Inframe OH Set
					CTP3126048C	Cylinder Head Repl. Gasket Set
	1WM01-UP	127-6571	3126, TRUCK ENGINE	Turbocharged, Single Head	CTP3126049A	Out of Frame OH Gasket Set
					CTP3126049B	Inframe OH Set
					CTP3126049C	Cylinder Head Repl. Gasket Set
	1WM01-UP	127-6572, 129-3661	3126, TRUCK ENGINE	Turbocharged, Single Head	CTP3126050A	Out of Frame OH Gasket Set
					CTP3126050B	Inframe OH Set
					CTP3126050C	Cylinder Head Repl. Gasket Set
	1WM01-UP	127-6591, 129-3642	3126, TRUCK ENGINE	Turbocharged, Single Head	CTP3126051A	Out of Frame OH Gasket Set
					CTP3126051B	Inframe OH Set
					CTP3126051C	Cylinder Head Repl. Gasket Set
	1WM01-UP	128-5793	3126, TRUCK ENGINE	Turbocharged, Single Head	CTP3126052A	Out of Frame OH Gasket Set
					CTP3126052B	Inframe OH Set
					CTP3126052C	Cylinder Head Repl. Gasket Set
	1WM01-UP	129-1719, 129-3653, 132-6097, 133-7800, 134-1608	3126, TRUCK ENGINE	Turbocharged, Single Head	CTP3126053A	Out of Frame OH Gasket Set
					CTP3126053B	Inframe OH Set
					CTP3126053C	Cylinder Head Repl. Gasket Set
	1WM01-UP	129-9741	3126, TRUCK ENGINE	Turbocharged, Single Head	CTP3126054A	Out of Frame OH Gasket Set
					CTP3126054B	Inframe OH Set
					CTP3126054C	Cylinder Head Repl. Gasket Set
	1WM01-UP	131-9250	3126, TRUCK ENGINE	Turbocharged, Single Head	CTP3126055A	Out of Frame OH Gasket Set
					CTP3126055B	Inframe OH Set
					CTP3126055C	Cylinder Head Repl. Gasket Set
	1WM01-UP	132-6100	3126, TRUCK ENGINE	Turbocharged, Single Head	CTP3126056A	Out of Frame OH Gasket Set
					CTP3126056B	Inframe OH Set
					CTP3126056C	Cylinder Head Repl. Gasket Set
	1WM01-UP	133-4122, 133-4123	3126, TRUCK ENGINE	Turbocharged, Single Head	CTP3126057A	Out of Frame OH Gasket Set
					CTP3126057B	Inframe OH Set
					CTP3126057C	Cylinder Head Repl. Gasket Set
	1WM01-UP	133-4124, 133-4125, 133-7686	3126, TRUCK ENGINE	Turbocharged, Single Head	CTP3126058A	Out of Frame OH Gasket Set
					CTP3126058B	Inframe OH Set
					CTP3126058C	Cylinder Head Repl. Gasket Set

Prefix	Serial No.	Arrangement	Application	Comments	Part Number	Description
1WM	1WM01-UP	134-4825	3126, TRUCK ENGINE	Turbocharged, Single Head	CTP3126059A	Out of Frame OH Gasket Set
					CTP3126059B	Inframe OH Set
					CTP3126059C	Cylinder Head Repl. Gasket Set
	1WM01-UP	134-4827, 136-0656	3126, TRUCK ENGINE	Turbocharged, Single Head	CTP3126060A	Out of Frame OH Gasket Set
					CTP3126060B	Inframe OH Set
					CTP3126060C	Cylinder Head Repl. Gasket Set
	1WM01-UP	134-4829	3126, TRUCK ENGINE	Turbocharged, Single Head	CTP3126061C	Cylinder Head Repl. Gasket Set
	1WM01-UP	134-4830, 135-0878, 135-0879, 135-0882, 135-0885	3126, TRUCK ENGINE	Turbocharged, Single Head	CTP3126062A	Out of Frame OH Gasket Set
					CTP3126062B	Inframe OH Set
					CTP3126062C	Cylinder Head Repl. Gasket Set
	1WM01-UP	134-4862	3126, TRUCK ENGINE	Turbocharged, Single Head	CTP3126063C	Cylinder Head Repl. Gasket Set
	1WM01-UP	134-4991, 135-4877, 137-5490	3126, TRUCK ENGINE	Turbocharged, Single Head	CTP3126064A	Out of Frame OH Gasket Set
					CTP3126064B	Inframe OH Set
					CTP3126064C	Cylinder Head Repl. Gasket Set
	1WM01-UP	135-0877, 135-0887	3126, TRUCK ENGINE	Turbocharged, Single Head	CTP3126065A	Out of Frame OH Gasket Set
					CTP3126065B	Inframe OH Set
					CTP3126065C	Cylinder Head Repl. Gasket Set
	1WM01-UP	135-0880, 135-0883	3126, TRUCK ENGINE	Turbocharged, Single Head	CTP3126066A	Out of Frame OH Gasket Set
					CTP3126066B	Inframe OH Set
					CTP3126066C	Cylinder Head Repl. Gasket Set
	1WM01-UP	135-0886, 135-0888, 135-0889, 135-0890, 135-4876	3126, TRUCK ENGINE	Turbocharged, Single Head	CTP3126067A	Out of Frame OH Gasket Set
					CTP3126067B	Inframe OH Set
					CTP3126067C	Cylinder Head Repl. Gasket Set
	1WM01-UP	135-0892	3126, TRUCK ENGINE	Turbocharged, Single Head	CTP3126068A	Out of Frame OH Gasket Set
					CTP3126068B	Inframe OH Set
					CTP3126068C	Cylinder Head Repl. Gasket Set
	1WM01-UP	135-0893	3126, TRUCK ENGINE	Turbocharged, Single Head	CTP3126069A	Out of Frame OH Gasket Set
					CTP3126069B	Inframe OH Set
					CTP3126069C	Cylinder Head Repl. Gasket Set
	1WM01-UP	136-0737	3126, TRUCK ENGINE	Turbocharged, Single Head	CTP3126070C	Cylinder Head Repl. Gasket Set
	1WM01-UP	137-5387	3126, TRUCK ENGINE	Turbocharged, Single Head	CTP3126071A	Out of Frame OH Gasket Set
					CTP3126071B	Inframe OH Set
					CTP3126071C	Cylinder Head Repl. Gasket Set

Prefix	Serial No.	Arrangement	Application	Comments	Part Number	Description
1WM	1WM01-UP	137-5389, 137-5392, 139-9941	3126, TRUCK ENGINE	Turbocharged, Single Head	CTP3126072A	Out of Frame OH Gasket Set
					CTP3126072B	Inframe OH Set
					CTP3126072C	Cylinder Head Repl. Gasket Set
	1WM01-UP	137-5391, 137-5400, 139-9856, 139-9868	3126, TRUCK ENGINE	Turbocharged, Single Head	CTP3126073A	Out of Frame OH Gasket Set
					CTP3126073B	Inframe OH Set
					CTP3126073C	Cylinder Head Repl. Gasket Set
	1WM01-UP	137-5401	3126, TRUCK ENGINE	Turbocharged, Single Head	CTP3126074A	Out of Frame OH Gasket Set
					CTP3126074B	Inframe OH Set
					CTP3126074C	Cylinder Head Repl. Gasket Set
	1WM01-UP	137-5402	3126, TRUCK ENGINE	Turbocharged, Single Head	CTP3126075A	Out of Frame OH Gasket Set
					CTP3126075B	Inframe OH Set
					CTP3126075C	Cylinder Head Repl. Gasket Set
	1WM01-UP	137-5450	3126, TRUCK ENGINE	Turbocharged, Single Head	CTP3126076A	Out of Frame OH Gasket Set
					CTP3126076B	Inframe OH Set
					CTP3126076C	Cylinder Head Repl. Gasket Set
	1WM01-UP	137-5451, 137-5452, 137-5453, 137-5455	3126, TRUCK ENGINE	Turbocharged, Single Head	CTP3126077A	Out of Frame OH Gasket Set
					CTP3126077B	Inframe OH Set
					CTP3126077C	Cylinder Head Repl. Gasket Set
	1WM01-UP	137-5476	3126, TRUCK ENGINE	Turbocharged, Single Head	CTP3126078A	Out of Frame OH Gasket Set
					CTP3126078B	Inframe OH Set
					CTP3126078C	Cylinder Head Repl. Gasket Set
	1WM05709-UP	138-6035	3126, TRUCK ENGINE	Turbocharged, Single Head	CTP3126079A	Out of Frame OH Gasket Set
					CTP3126079B	Inframe OH Set
					CTP3126079C	Cylinder Head Repl. Gasket Set
	1WM01-UP	139-9779	3126, TRUCK ENGINE	Turbocharged, Single Head	CTP3126080A	Out of Frame OH Gasket Set
					CTP3126080B	Inframe OH Set
					CTP3126080C	Cylinder Head Repl. Gasket Set
	1WM01-UP	139-9858, 139-9859, 139-9933, 139-9945, 139-9949	3126, TRUCK ENGINE	Turbocharged, Single Head	CTP3126081A	Out of Frame OH Gasket Set
					CTP3126081B	Inframe OH Set
					CTP3126081C	Cylinder Head Repl. Gasket Set
	1WM01-UP	139-9943	3126, TRUCK ENGINE	Turbocharged, Single Head	CTP3126082A	Out of Frame OH Gasket Set
					CTP3126082B	Inframe OH Set
					CTP3126082C	Cylinder Head Repl. Gasket Set
	1WM01-UP	139-9944, 139-9947, 141-4290	3126, TRUCK ENGINE	Turbocharged, Single Head	CTP3126083A	Out of Frame OH Gasket Set
					CTP3126083B	Inframe OH Set
					CTP3126083C	Cylinder Head Repl. Gasket Set

Prefix	Serial No.	Arrangement	Application	Comments	Part Number	Description
1WM	1WM01-UP	139-9950, 139-9951, 141-4163, 141-4291	3126, TRUCK ENGINE	Turbocharged, Single Head	CTP3126084A	Out of Frame OH Gasket Set
					CTP3126084B	Inframe OH Set
					CTP3126084C	Cylinder Head Repl. Gasket Set
	1WM01-UP	139-9997, 139-9998, 139-9999	3126, TRUCK ENGINE	Turbocharged, Single Head	CTP3126085A	Out of Frame OH Gasket Set
					CTP3126085B	Inframe OH Set
					CTP3126085C	Cylinder Head Repl. Gasket Set
	1WM01-UP	140-0000	3126, TRUCK ENGINE	Turbocharged, Single Head	CTP3126086A	Out of Frame OH Gasket Set
					CTP3126086B	Inframe OH Set
					CTP3126086C	Cylinder Head Repl. Gasket Set
	1WM01-UP	142-0582	3126, TRUCK ENGINE	Turbocharged, Single Head	CTP3126087A	Out of Frame OH Gasket Set
					CTP3126087B	Inframe OH Set
					CTP3126087C	Cylinder Head Repl. Gasket Set
	1WM01-UP	142-0583	3126, TRUCK ENGINE	Turbocharged, Single Head	CTP3126088A	Out of Frame OH Gasket Set
					CTP3126088B	Inframe OH Set
					CTP3126088C	Cylinder Head Repl. Gasket Set
	1WM01-UP	142-0635	3126, TRUCK ENGINE	Turbocharged, Single Head	CTP3126090A	Out of Frame OH Gasket Set
					CTP3126090B	Inframe OH Set
					CTP3126090C	Cylinder Head Repl. Gasket Set
	1WM01-UP	142-0641	3126, TRUCK ENGINE	Turbocharged, Single Head	CTP3126091A	Out of Frame OH Gasket Set
					CTP3126091B	Inframe OH Set
					CTP3126091C	Cylinder Head Repl. Gasket Set
	1WM01-UP	142-0656	3126, TRUCK ENGINE	Turbocharged, Single Head	CTP3126092A	Out of Frame OH Gasket Set
					CTP3126092B	Inframe OH Set
					CTP3126092C	Cylinder Head Repl. Gasket Set
	1WM01-UP	142-0660	3126, TRUCK ENGINE	Turbocharged, Single Head	CTP3126093A	Out of Frame OH Gasket Set
					CTP3126093B	Inframe OH Set
					CTP3126093C	Cylinder Head Repl. Gasket Set
	1WM01-UP	143-1009, 143-1048, 143-1049	3126, TRUCK ENGINE	Turbocharged, Single Head	CTP3126094A	Out of Frame OH Gasket Set
					CTP3126094B	Inframe OH Set
					CTP3126094C	Cylinder Head Repl. Gasket Set
	1WM01-UP	143-1052	3126, TRUCK ENGINE	Turbocharged, Single Head	CTP3126095A	Out of Frame OH Gasket Set
					CTP3126095B	Inframe OH Set
					CTP3126095C	Cylinder Head Repl. Gasket Set
	1WM01-UP	143-1061	3126, TRUCK ENGINE	Turbocharged, Single Head	CTP3126096A	Out of Frame OH Gasket Set
					CTP3126096B	Inframe OH Set
					CTP3126096C	Cylinder Head Repl. Gasket Set

Prefix	Serial No.	Arrangement	Application	Comments	Part Number	Description
1WM	1WM01-UP	143-1071, 143-9978, 143-9979, 143-9980	3126, TRUCK ENGINE	Turbocharged, Single Head	CTP3126097A	Out of Frame OH Gasket Set
					CTP3126097B	Inframe OH Set
					CTP3126097C	Cylinder Head Repl. Gasket Set
	1WM08697-1WM26507	143-1073, 143-1074, 143-1076, 143-1138	3126, TRUCK ENGINE	Turbocharged, Single Head	CTP3126098A	Out of Frame OH Gasket Set
					CTP3126098B	Inframe OH Set
					CTP3126098C	Cylinder Head Repl. Gasket Set
	1WM08697-1WM26507	143-1091, 144-0098, 144-5776	3126, TRUCK ENGINE	Turbocharged, Single Head	CTP3126099A	Out of Frame OH Gasket Set
					CTP3126099B	Inframe OH Set
					CTP3126099C	Cylinder Head Repl. Gasket Set
	1WM08697-1WM26507	143-1092, 143-1098, 143-1120, 143-1121, 143-1122	3126, TRUCK ENGINE	Turbocharged, Single Head	CTP3126100A	Out of Frame OH Gasket Set
					CTP3126100B	Inframe OH Set
					CTP3126100C	Cylinder Head Repl. Gasket Set
	1WM08739-1WM26507	143-1110, 143-1111, 143-1133, 143-1134	3126, TRUCK ENGINE	Turbocharged, Single Head	CTP3126101A	Out of Frame OH Gasket Set
					CTP3126101B	Inframe OH Set
					CTP3126101C	Cylinder Head Repl. Gasket Set
	1WM08739-1WM26507	143-1111	3126, TRUCK ENGINE	Turbocharged, Single Head	CTP3126102A	Out of Frame OH Gasket Set
					CTP3126102B	Inframe OH Set
					CTP3126102C	Cylinder Head Repl. Gasket Set
	1WM08739-1WM26507	143-1129, 144-0026, 144-0050, 144-0087	3126, TRUCK ENGINE	Turbocharged, Single Head	CTP3126103A	Out of Frame OH Gasket Set
					CTP3126103B	Inframe OH Set
					CTP3126103C	Cylinder Head Repl. Gasket Set
	1WM08782-1WM26507	143-1140, 143-1141, 143-1154, 143-9966	3126, TRUCK ENGINE	Turbocharged, Single Head	CTP3126104A	Out of Frame OH Gasket Set
					CTP3126104B	Inframe OH Set
					CTP3126104C	Cylinder Head Repl. Gasket Set
	1WM09774-1WM26507	143-9965	3126, TRUCK ENGINE	Turbocharged, Single Head	CTP3126105A	Out of Frame OH Gasket Set
					CTP3126105B	Inframe OH Set
					CTP3126105C	Cylinder Head Repl. Gasket Set
	1WM09482-1WM26507	144-0025	3126, TRUCK ENGINE	Turbocharged, Single Head	CTP3126106A	Out of Frame OH Gasket Set
					CTP3126106B	Inframe OH Set
					CTP3126106C	Cylinder Head Repl. Gasket Set
	1WM09482-1WM26507	144-0029	3126, TRUCK ENGINE	Turbocharged, Single Head	CTP3126107A	Out of Frame OH Gasket Set
					CTP3126107B	Inframe OH Set
					CTP3126107C	Cylinder Head Repl. Gasket Set
	1WM09482-1WM26507	144-0032	3126, TRUCK ENGINE	Turbocharged, Single Head	CTP3126108A	Out of Frame OH Gasket Set
					CTP3126108B	Inframe OH Set
					CTP3126108C	Cylinder Head Repl. Gasket Set

Prefix	Serial No.	Arrangement	Application	Comments	Part Number	Description
1WM	1WM09482-1WM26507	144-0033	3126, TRUCK ENGINE	Turbocharged, Single Head	CTP3126109A	Out of Frame OH Gasket Set
					CTP3126109B	Inframe OH Set
					CTP3126109C	Cylinder Head Repl. Gasket Set
	1WM09273-1WM26507	144-0039	3126, TRUCK ENGINE	Turbocharged, Single Head	CTP3126110A	Out of Frame OH Gasket Set
					CTP3126110B	Inframe OH Set
					CTP3126110C	Cylinder Head Repl. Gasket Set
	1WM09273-1WM26507	144-0042, 144-5775	3126, TRUCK ENGINE	Turbocharged, Single Head	CTP3126111A	Out of Frame OH Gasket Set
					CTP3126111B	Inframe OH Set
					CTP3126111C	Cylinder Head Repl. Gasket Set
	1WM09482-1WM26507	144-0088, 144-0089, 144-5786, 144-5787	3126, TRUCK ENGINE	Turbocharged, Single Head	CTP3126112A	Out of Frame OH Gasket Set
					CTP3126112B	Inframe OH Set
					CTP3126112C	Cylinder Head Repl. Gasket Set
	1WM10038-1WM26507	144-5764, 144-5848	3126, TRUCK ENGINE	Turbocharged, Single Head	CTP3126113A	Out of Frame OH Gasket Set
					CTP3126113B	Inframe OH Set
					CTP3126113C	Cylinder Head Repl. Gasket Set
	1WM09806-1WM26507	144-5765, 144-5798, 144-5837, 145-1933	3126, TRUCK ENGINE	Turbocharged, Single Head	CTP3126114A	Out of Frame OH Gasket Set
					CTP3126114B	Inframe OH Set
					CTP3126114C	Cylinder Head Repl. Gasket Set
	1WM09906-1WM26507	144-5788, 144-5796, 144-5856, 145-1945	3126, TRUCK ENGINE	Turbocharged, Single Head	CTP3126115A	Out of Frame OH Gasket Set
					CTP3126115B	Inframe OH Set
					CTP3126115C	Cylinder Head Repl. Gasket Set
	1WM10138-1WM26507	144-5862, 146-8723	3126, TRUCK ENGINE	Turbocharged, Single Head	CTP3126116A	Out of Frame OH Gasket Set
					CTP3126116B	Inframe OH Set
					CTP3126116C	Cylinder Head Repl. Gasket Set
	1WM10138-1WM26507	144-5866, 144-5867	3126, TRUCK ENGINE	Turbocharged, Single Head	CTP3126117A	Out of Frame OH Gasket Set
					CTP3126117B	Inframe OH Set
					CTP3126117C	Cylinder Head Repl. Gasket Set
	1WM10765-1WM26507	144-5886	3126, TRUCK ENGINE	Turbocharged, Single Head	CTP3126118A	Out of Frame OH Gasket Set
					CTP3126118B	Inframe OH Set
					CTP3126118C	Cylinder Head Repl. Gasket Set
	1WM10306-1WM26507	144-5900	3126, TRUCK ENGINE	Turbocharged, Single Head	CTP3126119A	Out of Frame OH Gasket Set
					CTP3126119B	Inframe OH Set
					CTP3126119C	Cylinder Head Repl. Gasket Set
	1WM10776-1WM26507	145-1953	3126, TRUCK ENGINE	Turbocharged, Single Head	CTP3126120A	Out of Frame OH Gasket Set
					CTP3126120B	Inframe OH Set
					CTP3126120C	Cylinder Head Repl. Gasket Set

Prefix	Serial No.	Arrangement	Application	Comments	Part Number	Description
1WM	1WM11050-1WM26507	145-1960, 145-1971	3126, TRUCK ENGINE	Turbocharged, Single Head	CTP3126121A	Out of Frame OH Gasket Set
					CTP3126121B	Inframe OH Set
					CTP3126121C	Cylinder Head Repl. Gasket Set
	1WM11715-1WM26507	145-2008	3126, TRUCK ENGINE	Turbocharged, Single Head	CTP3126122A	Out of Frame OH Gasket Set
					CTP3126122B	Inframe OH Set
					CTP3126122C	Cylinder Head Repl. Gasket Set
	1WM00001-1WM26507	145-2041, 146-8721, 147-7561	3126, TRUCK ENGINE	Turbocharged, Single Head	CTP3126123A	Out of Frame OH Gasket Set
					CTP3126123B	Inframe OH Set
					CTP3126123C	Cylinder Head Repl. Gasket Set
	1WM11486-1WM26507	145-2079	3126, TRUCK ENGINE	Turbocharged, Single Head	CTP3126124A	Out of Frame OH Gasket Set
					CTP3126124B	Inframe OH Set
					CTP3126124C	Cylinder Head Repl. Gasket Set
	1WM11425-1WM26507	145-2092	3126, TRUCK ENGINE	Turbocharged, Single Head	CTP3126125A	Out of Frame OH Gasket Set
					CTP3126125B	Inframe OH Set
					CTP3126125C	Cylinder Head Repl. Gasket Set
	1WM11914-1WM26507	145-2140	3126, TRUCK ENGINE	Turbocharged, Single Head	CTP3126126A	Out of Frame OH Gasket Set
					CTP3126126B	Inframe OH Set
					CTP3126126C	Cylinder Head Repl. Gasket Set
	1WM12066-1WM26507	145-2159, 146-8700	3126, TRUCK ENGINE	Turbocharged, Single Head	CTP3126127A	Out of Frame OH Gasket Set
					CTP3126127B	Inframe OH Set
					CTP3126127C	Cylinder Head Repl. Gasket Set
	1WM12486-1WM26507	145-2200	3126, TRUCK ENGINE	Turbocharged, Single Head	CTP3126128A	Out of Frame OH Gasket Set
					CTP3126128B	Inframe OH Set
					CTP3126128C	Cylinder Head Repl. Gasket Set
	1WM12486-1WM26507	145-2201, 146-8593, 146-8632, 146-8633	3126, TRUCK ENGINE	Turbocharged, Single Head	CTP3126129A	Out of Frame OH Gasket Set
					CTP3126129B	Inframe OH Set
					CTP3126129C	Cylinder Head Repl. Gasket Set
	1WM12818-1WM26507	146-8614, 146-8664, 146-8665, 146-8666	3126, TRUCK ENGINE	Turbocharged, Single Head	CTP3126130A	Out of Frame OH Gasket Set
					CTP3126130B	Inframe OH Set
					CTP3126130C	Cylinder Head Repl. Gasket Set
	1WM00001-1WM26507	146-8635, 147-6089, 147-6100	3126, TRUCK ENGINE	Turbocharged, Single Head	CTP3126131A	Out of Frame OH Gasket Set
					CTP3126131B	Inframe OH Set
					CTP3126131C	Cylinder Head Repl. Gasket Set
	1WM12819-1WM26507	146-8667, 146-8668, 146-8707, 146-8708	3126, TRUCK ENGINE	Turbocharged, Single Head	CTP3126132A	Out of Frame OH Gasket Set
					CTP3126132B	Inframe OH Set
					CTP3126132C	Cylinder Head Repl. Gasket Set

Prefix	Serial No.	Arrangement	Application	Comments	Part Number	Description
1WM	1WM13040-1WM26507	146-8709, 146-8710, 146-8711, 146-8712	3126, TRUCK ENGINE	Turbocharged, Single Head	CTP3126133A	Out of Frame OH Gasket Set
					CTP3126133B	Inframe OH Set
					CTP3126133C	Cylinder Head Repl. Gasket Set
	1WM00001-1WM26507	146-8713, 146-8748, 146-8770, 146-8771	3126, TRUCK ENGINE	Turbocharged, Single Head	CTP3126134A	Out of Frame OH Gasket Set
					CTP3126134B	Inframe OH Set
					CTP3126134C	Cylinder Head Repl. Gasket Set
	1WM13093-1WM26507	146-8749	3126, TRUCK ENGINE	Turbocharged, Single Head	CTP3126135A	Out of Frame OH Gasket Set
					CTP3126135B	Inframe OH Set
					CTP3126135C	Cylinder Head Repl. Gasket Set
	1WM13132-1WM26507	146-8769	3126, TRUCK ENGINE	Turbocharged, Single Head	CTP3126136A	Out of Frame OH Gasket Set
					CTP3126136B	Inframe OH Set
					CTP3126136C	Cylinder Head Repl. Gasket Set
	1WM01-UP	147-7401	3126, TRUCK ENGINE	Turbocharged, Single Head	CTP3126137A	Out of Frame OH Gasket Set
					CTP3126137B	Inframe OH Set
					CTP3126137C	Cylinder Head Repl. Gasket Set
	1WM00001-1WM26507	147-7442, 147-7562, 147-7563, 147-7590, 147-7594	3126, TRUCK ENGINE	Turbocharged, Single Head	CTP3126138A	Out of Frame OH Gasket Set
					CTP3126138B	Inframe OH Set
					CTP3126138C	Cylinder Head Repl. Gasket Set
	1WM00001-1WM26507	147-7578, 148-8695, 148-8696	3126, TRUCK ENGINE	Turbocharged, Single Head	CTP3126139A	Out of Frame OH Gasket Set
					CTP3126139B	Inframe OH Set
					CTP3126139C	Cylinder Head Repl. Gasket Set
	1WM00001-1WM26507	147-7595, 148-8616, 148-8617, 148-8697	3126, TRUCK ENGINE	Turbocharged, Single Head	CTP3126140A	Out of Frame OH Gasket Set
					CTP3126140B	Inframe OH Set
					CTP3126140C	Cylinder Head Repl. Gasket Set
	1WM00001-1WM26507	148-8661, 149-9034	3126, TRUCK ENGINE	Turbocharged, Single Head	CTP3126141A	Out of Frame OH Gasket Set
					CTP3126141B	Inframe OH Set
					CTP3126141C	Cylinder Head Repl. Gasket Set
	1WM00001-1WM26507	148-8706	3126, TRUCK ENGINE	Turbocharged, Single Head	CTP3126142A	Out of Frame OH Gasket Set
					CTP3126142B	Inframe OH Set
					CTP3126142C	Cylinder Head Repl. Gasket Set
	1WM00001-1WM26507	149-9044	3126, TRUCK ENGINE	Turbocharged, Single Head	CTP3126143A	Out of Frame OH Gasket Set
					CTP3126143B	Inframe OH Set
					CTP3126143C	Cylinder Head Repl. Gasket Set
	1WM00001-1WM26507	149-9061	3126, TRUCK ENGINE	Turbocharged, Single Head	CTP3126144A	Out of Frame OH Gasket Set
					CTP3126144B	Inframe OH Set
					CTP3126144C	Cylinder Head Repl. Gasket Set

Prefix	Serial No.	Arrangement	Application	Comments	Part Number	Description
1WM	1WM00001-1WM26507	149-9083	3126, TRUCK ENGINE	Turbocharged, Single Head	CTP3126145A	Out of Frame OH Gasket Set
					CTP3126145B	Inframe OH Set
					CTP3126145C	Cylinder Head Repl. Gasket Set
	1WM00001-1WM26507	150-6141	3126, TRUCK ENGINE	Turbocharged, Single Head	CTP3126146A	Out of Frame OH Gasket Set
					CTP3126146B	Inframe OH Set
					CTP3126146C	Cylinder Head Repl. Gasket Set
	1WM00001-1WM26507	151-2251	3126, TRUCK ENGINE	Turbocharged, Single Head	CTP3126147A	Out of Frame OH Gasket Set
					CTP3126147B	Inframe OH Set
					CTP3126147C	Cylinder Head Repl. Gasket Set
	1WM01-UP	151-2341	3126, TRUCK ENGINE	Turbocharged, Single Head	CTP3126148A	Out of Frame OH Gasket Set
					CTP3126148B	Inframe OH Set
					CTP3126148C	Cylinder Head Repl. Gasket Set
	1WM00001-1WM26507	152-3163	3126, TRUCK ENGINE	Turbocharged, Single Head	CTP3126149A	Out of Frame OH Gasket Set
					CTP3126149B	Inframe OH Set
					CTP3126149C	Cylinder Head Repl. Gasket Set
	1WM01-UP	152-3331	3126, TRUCK ENGINE	Turbocharged, Single Head	CTP3126150A	Out of Frame OH Gasket Set
					CTP3126150B	Inframe OH Set
					CTP3126150C	Cylinder Head Repl. Gasket Set
1WM00001-1WM26507	152-3344, 152-3345, 153-5864	3126, TRUCK ENGINE	Turbocharged, Single Head	CTP3126151A	Out of Frame OH Gasket Set	
				CTP3126151B	Inframe OH Set	
				CTP3126151C	Cylinder Head Repl. Gasket Set	
3AK	3AK00117-UP	116-8671, 143-7058	962G, WHEEL LOADER	Turbocharged, Single Head	CTP3126005A	Out of Frame OH Gasket Set
					CTP3126005B	Inframe OH Set
					CTP3126005C	Cylinder Head Repl. Gasket Set
	3AK01-UP	135-6437, 138-3673	938G, WHEEL LOADER	Turbocharged, Single Head	CTP3126004A	Out of Frame OH Gasket Set
					CTP3126004B	Inframe OH Set
					CTP3126004C	Cylinder Head Repl. Gasket Set
3AK01-UP	211-0750	322C, 322C L EXCAVATORS	Turbocharged, Single Head	CTP3126555A	Out of Frame OH Gasket Set	
				CTP3126555B	Inframe OH Set	
				CTP3126555C	Cylinder Head Repl. Gasket Set	
3TR	3TR01-UP	126-6947	3126E MARINE	Turbocharged, Single Head	CTP3126572A	Out of Frame OH Gasket Set
					CTP3126572B	Inframe OH Set
					CTP3126572C	Cylinder Head Repl. Gasket Set
	3TR00202-UP	133-9227	3126E MARINE	Turbocharged, Single Head	CTP3126573A	Out of Frame OH Gasket Set
					CTP3126573B	Inframe OH Set
					CTP3126573C	Cylinder Head Repl. Gasket Set

Prefix	Serial No.	Arrangement	Application	Comments	Part Number	Description
4ES	4ES00265-UP	137-5454	3126, TRUCK ENGINE	Turbocharged, Single Head	CTP3126152A	Out of Frame OH Gasket Set
					CTP3126152B	Inframe OH Set
					CTP3126152C	Cylinder Head Repl. Gasket Set
	4ES01-UP	137-5458, 137-5459	3126, TRUCK ENGINE	Turbocharged, Single Head	CTP3126153A	Out of Frame OH Gasket Set
					CTP3126153B	Inframe OH Set
					CTP3126153C	Cylinder Head Repl. Gasket Set
4EZ	4EZ01-UP	152-8389	3126E MARINE	Turbocharged, Single Head	CTP3126570A	Out of Frame OH Gasket Set
					CTP3126570B	Inframe OH Set
					CTP3126570C	Cylinder Head Repl. Gasket Set
55K	55K01-UP	1168671, 1365993, 1568049	962G, 938G	Turbocharged, Single Head	CTP3126001A	Out of Frame OH Gasket Set
					CTP3126001B	Inframe OH Set
					CTP3126001C	Cylinder Head Repl. Gasket Set
	55K00512-UP	116-8670, 116-8671	950G, WHEEL LOADER, 962G, IT62G, WHEEL LOADER & INTEGRATED TOOL CARRIER	Turbocharged, Single Head	CTP3126009A	Out of Frame OH Gasket Set
					CTP3126009B	Inframe OH Set
					CTP3126009C	Cylinder Head Repl. Gasket Set
	55K01-UP	135-6437, 138-3673	938G, IT38G, WHEEL LOADER & INTEGRATED TOOL-CARRIER	Turbocharged, Single Head	CTP3126008A	Out of Frame OH Gasket Set
					CTP3126008B	Inframe OH Set
					CTP3126008C	Cylinder Head Repl. Gasket Set
	55K01-UP	148-3017	525B, WHEEL SKIDDER	Turbocharged, Single Head	CTP3126006A	Out of Frame OH Gasket Set
					CTP3126006B	Inframe OH Set
					CTP3126006C	Cylinder Head Repl. Gasket Set
55K01-UP	154-4515	CHALLENGER 55, AGRICULTURAL TRACTOR	Turbocharged, Single Head	CTP3126007A	Out of Frame OH Gasket Set	
				CTP3126007B	Inframe OH Set	
				CTP3126007C	Cylinder Head Repl. Gasket Set	
5GG	5GG01-UP	159-3458	325C	Turbocharged, Single Head	CTP3126557A	Out of Frame OH Gasket Set
					CTP3126557B	Inframe OH Set
					CTP3126557C	Cylinder Head Repl. Gasket Set
	5GG01-UP	198-5914	938G II, IT38G II, WHEEL LOADER & INTEGRATED, TOOL CARRIER	Turbocharged, Single Head	CTP3126010A	Out of Frame OH Gasket Set
					CTP3126010B	Inframe OH Set
					CTP3126010C	Cylinder Head Repl. Gasket Set
	5GG01-UP	201-4205	325C	Turbocharged, Single Head	CTP3126558A	Out of Frame OH Gasket Set
					CTP3126558B	Inframe OH Set
					CTP3126558C	Cylinder Head Repl. Gasket Set
5GG01-UP	216-0848	950G II, WHEEL LOADER	Turbocharged, Single Head	CTP3126011A	Out of Frame OH Gasket Set	
				CTP3126011B	Inframe OH Set	
				CTP3126011C	Cylinder Head Repl. Gasket Set	

Prefix	Serial No.	Arrangement	Application	Comments	Part Number	Description
5GG	5GG01-UP	234-2918	325C	Turbocharged, Single Head	CTP3126559A	Out of Frame OH Gasket Set
					CTP3126559B	Inframe OH Set
					CTP3126559C	Cylinder Head Repl. Gasket Set
5GL	5GL1UP	172-9164, 172-9198	3126B, TRUCK ENGINE	Turbocharged, Single Head	CTP3126166A	Out of Frame OH Gasket Set
					CTP3126166B	Inframe OH Set
					CTP3126166C	Cylinder Head Repl. Gasket Set
6EW	6EW01-UP	116-8671, 136-5993, 156-8049	962G, 938G	Turbocharged, Single Head	CTP3126001A	Out of Frame OH Gasket Set
					CTP3126001B	Inframe OH Set
					CTP3126001C	Cylinder Head Repl. Gasket Set
6JK	6JK01-UP	116-8670, 116-8671	950G, WHEEL LOADER, 962G, IT62G, WHEEL LOADER & INTEGRATED TOOL CARRIER	Turbocharged, Single Head	CTP3126009A	Out of Frame OH Gasket Set
					CTP3126009B	Inframe OH Set
					CTP3126009C	Cylinder Head Repl. Gasket Set
	6JK01-UP	116-8671, 136-5993, 156-8049	962G, 938G	Turbocharged, Single Head	CTP3126001A	Out of Frame OH Gasket Set
					CTP3126001B	Inframe OH Set
					CTP3126001C	Cylinder Head Repl. Gasket Set
	6JK01-UP	116-8671, 143-7058	962G, WHEEL LOADER	Turbocharged, Single Head	CTP3126005A	Out of Frame OH Gasket Set
					CTP3126005B	Inframe OH Set
					CTP3126005C	Cylinder Head Repl. Gasket Set
	6JK01-UP	135-6437, 138-3673	938G, IT38G, WHEEL LOADER & INTEGRATED TOOL-CARRIER	Turbocharged, Single Head	CTP3126008A	Out of Frame OH Gasket Set
					CTP3126008B	Inframe OH Set
					CTP3126008C	Cylinder Head Repl. Gasket Set
6MK	6MK01-UP	178-7025, 179-0782, 185-2241	3126E MARINE	Turbocharged, Single Head	CTP3126571A	Out of Frame OH Gasket Set
					CTP3126571B	Inframe OH Set
					CTP3126571C	Cylinder Head Repl. Gasket Set
6PZ	6PZ1UP	151-7122	3126, TRUCK ENGINE	Turbocharged, Single Head	CTP3126154A	Out of Frame OH Gasket Set
					CTP3126154B	Inframe OH Set
					CTP3126154C	Cylinder Head Repl. Gasket Set
7AS	7AS01-UP	143-3322	3126B, TRUCK ENGINE	Turbocharged, Single Head	CTP3126167A	Out of Frame OH Gasket Set
					CTP3126167B	Inframe OH Set
					CTP3126167C	Cylinder Head Repl. Gasket Set
	7AS01-UP	146-8758, 146-8763, 146-8767, 153-5825	3126B, TRUCK ENGINE	Turbocharged, Single Head	CTP3126168A	Out of Frame OH Gasket Set
					CTP3126168B	Inframe OH Set
					CTP3126168C	Cylinder Head Repl. Gasket Set
	7AS01-UP	146-8759, 146-8761, 146-8762, 146-8766	3126B, TRUCK ENGINE	Turbocharged, Single Head	CTP3126169A	Out of Frame OH Gasket Set
					CTP3126169B	Inframe OH Set
					CTP3126169C	Cylinder Head Repl. Gasket Set

Prefix	Serial No.	Arrangement	Application	Comments	Part Number	Description
7AS	7AS01-UP	146-8768, 148-8756, 153-5823	3126B, TRUCK ENGINE	Turbocharged, Single Head	CTP3126170A	Out of Frame OH Gasket Set
					CTP3126170B	Inframe OH Set
					CTP3126170C	Cylinder Head Repl. Gasket Set
	7AS00001-7AS00580	147-6081, 147-7440	3126B, TRUCK ENGINE	Turbocharged, Single Head	CTP3126171A	Out of Frame OH Gasket Set
					CTP3126171B	Inframe OH Set
					CTP3126171C	Cylinder Head Repl. Gasket Set
	7AS01-UP	149-9013	3126B, TRUCK ENGINE	Turbocharged, Single Head	CTP3126172A	Out of Frame OH Gasket Set
					CTP3126172B	Inframe OH Set
					CTP3126172C	Cylinder Head Repl. Gasket Set
	7AS01-UP	150-6053, 152-9921, 152-9924, 154-1054	3126B, TRUCK ENGINE	Turbocharged, Single Head	CTP3126173A	Out of Frame OH Gasket Set
					CTP3126173B	Inframe OH Set
					CTP3126173C	Cylinder Head Repl. Gasket Set
	7AS01-UP	150-6067, 152-9925, 154-1047, 154-1059	3126B, TRUCK ENGINE	Turbocharged, Single Head	CTP3126174A	Out of Frame OH Gasket Set
					CTP3126174B	Inframe OH Set
					CTP3126174C	Cylinder Head Repl. Gasket Set
	7AS01-UP	150-6088	3126B, TRUCK ENGINE	Turbocharged, Single Head	CTP3126175A	Out of Frame OH Gasket Set
					CTP3126175B	Inframe OH Set
					CTP3126175C	Cylinder Head Repl. Gasket Set
	7AS01-UP	152-9930, 166-9731	3126B, TRUCK ENGINE	Turbocharged, Single Head	CTP3126176A	Out of Frame OH Gasket Set
					CTP3126176B	Inframe OH Set
					CTP3126176C	Cylinder Head Repl. Gasket Set
	7AS01-UP	153-5818, 153-5894	3126B, TRUCK ENGINE	Turbocharged, Single Head	CTP3126177A	Out of Frame OH Gasket Set
					CTP3126177B	Inframe OH Set
					CTP3126177C	Cylinder Head Repl. Gasket Set
	7AS01-UP	153-5824, 153-5828, 153-5829, 153-5830	3126B, TRUCK ENGINE	Turbocharged, Single Head	CTP3126178A	Out of Frame OH Gasket Set
					CTP3126178B	Inframe OH Set
					CTP3126178C	Cylinder Head Repl. Gasket Set
	7AS01-UP	153-5826, 153-5827	3126B, TRUCK ENGINE	Turbocharged, Single Head	CTP3126179A	Out of Frame OH Gasket Set
					CTP3126179B	Inframe OH Set
					CTP3126179C	Cylinder Head Repl. Gasket Set
	7AS01-UP	153-5860, 154-1033	3126B, TRUCK ENGINE	Turbocharged, Single Head	CTP3126180A	Out of Frame OH Gasket Set
					CTP3126180B	Inframe OH Set
					CTP3126180C	Cylinder Head Repl. Gasket Set
	7AS01-UP	153-5897	3126B, TRUCK ENGINE	Turbocharged, Single Head	CTP3126181A	Out of Frame OH Gasket Set
					CTP3126181B	Inframe OH Set
					CTP3126181C	Cylinder Head Repl. Gasket Set

Prefix	Serial No.	Arrangement	Application	Comments	Part Number	Description
7AS	7AS01-UP	154-1053, 154-1058, 154-1062, 154-1075	3126B, TRUCK ENGINE	Turbocharged, Single Head	CTP3126182A	Out of Frame OH Gasket Set
					CTP3126182B	Inframe OH Set
					CTP3126182C	Cylinder Head Repl. Gasket Set
	7AS01-UP	154-1055, 154-1077, 154-1078	3126B, TRUCK ENGINE	Turbocharged, Single Head	CTP3126183A	Out of Frame OH Gasket Set
					CTP3126183B	Inframe OH Set
					CTP3126183C	Cylinder Head Repl. Gasket Set
	7AS01-UP	154-1056	3126B, TRUCK ENGINE	Turbocharged, Single Head	CTP3126184C	Cylinder Head Repl. Gasket Set
	7AS01-UP	154-1057	3126B, TRUCK ENGINE	Turbocharged, Single Head	CTP3126185C	Cylinder Head Repl. Gasket Set
	7AS01-UP	154-1060, 154-1061, 154-1176, 154-1182	3126B, TRUCK ENGINE	Turbocharged, Single Head	CTP3126186A	Out of Frame OH Gasket Set
					CTP3126186B	Inframe OH Set
					CTP3126186C	Cylinder Head Repl. Gasket Set
	7AS01-UP	154-1063	3126B, TRUCK ENGINE	Turbocharged, Single Head	CTP3126187A	Out of Frame OH Gasket Set
					CTP3126187B	Inframe OH Set
					CTP3126187C	Cylinder Head Repl. Gasket Set
	7AS01-UP	154-1064, 154-1086, 156-2042	3126B, TRUCK ENGINE	Turbocharged, Single Head	CTP3126188A	Out of Frame OH Gasket Set
					CTP3126188B	Inframe OH Set
					CTP3126188C	Cylinder Head Repl. Gasket Set
	7AS01-UP	154-1065, 154-1066, 154-1067	3126B, TRUCK ENGINE	Turbocharged, Single Head	CTP3126189A	Out of Frame OH Gasket Set
					CTP3126189B	Inframe OH Set
					CTP3126189C	Cylinder Head Repl. Gasket Set
	7AS01-UP	154-1076	3126B, TRUCK ENGINE	Turbocharged, Single Head	CTP3126190A	Out of Frame OH Gasket Set
					CTP3126190B	Inframe OH Set
					CTP3126190C	Cylinder Head Repl. Gasket Set
	7AS01-UP	154-1079, 154-1080, 154-1081, 154-1097	3126B, TRUCK ENGINE	Turbocharged, Single Head	CTP3126191A	Out of Frame OH Gasket Set
					CTP3126191B	Inframe OH Set
					CTP3126191C	Cylinder Head Repl. Gasket Set
	7AS01-UP	154-1082	3126B, TRUCK ENGINE	Turbocharged, Single Head	CTP3126192A	Out of Frame OH Gasket Set
					CTP3129192B	Inframe OH Set
					CTP3126192C	Cylinder Head Repl. Gasket Set
	7AS01-UP	154-1085	3126B, TRUCK ENGINE	Turbocharged, Single Head	CTP3126193A	Out of Frame OH Gasket Set
					CTP3126193B	Inframe OH Set
					CTP3129193C	Cylinder Head Repl. Gasket Set
	7AS01-UP	154-1089, 160-3382, 173-6236	3126B, TRUCK ENGINE	Turbocharged, Single Head	CTP3126194A	Out of Frame OH Gasket Set
					CTP3126194B	Inframe OH Set
					CTP3126194C	Cylinder Head Repl. Gasket Set

Prefix	Serial No.	Arrangement	Application	Comments	Part Number	Description
7AS	7AS01-UP	154-1093	3126B, TRUCK ENGINE	Turbocharged, Single Head	CTP3126195A	Out of Frame OH Gasket Set
					CTP3126195B	Inframe OH Set
					CTP3126195C	Cylinder Head Repl. Gasket Set
	7AS01-UP	154-1094, 154-1095	3126B, TRUCK ENGINE	Turbocharged, Single Head	CTP3126196A	Out of Frame OH Gasket Set
					CTP3126196B	Inframe OH Set
					CTP3126196C	Cylinder Head Repl. Gasket Set
	7AS01-UP	154-1096, 154-1106, 154-1108	3126B, TRUCK ENGINE	Turbocharged, Single Head	CTP3126197A	Out of Frame OH Gasket Set
					CTP3126197B	Inframe OH Set
					CTP3126197C	Cylinder Head Repl. Gasket Set
	7AS01-UP	154-1098, 154-1099, 154-1152	3126B, TRUCK ENGINE	Turbocharged, Single Head	CTP3126198A	Out of Frame OH Gasket Set
					CTP3126198B	Inframe OH Set
					CTP3126198C	Cylinder Head Repl. Gasket Set
	7AS01-UP	154-1100, 154-1102, 154-1111	3126B, TRUCK ENGINE	Turbocharged, Single Head	CTP3126199A	Out of Frame OH Gasket Set
					CTP3126199B	Inframe OH Set
					CTP3126199C	Cylinder Head Repl. Gasket Set
	7AS01-UP	154-1101, 154-1104, 154-1109, 154-1110	3126B, TRUCK ENGINE	Turbocharged, Single Head	CTP3126200A	Out of Frame OH Gasket Set
					CTP3126200B	Inframe OH Set
					CTP3126200C	Cylinder Head Repl. Gasket Set
	7AS01-UP	155-3294, 156-2043, 156-2045, 156-2312	3126B, TRUCK ENGINE	Turbocharged, Single Head	CTP3126201A	Out of Frame OH Gasket Set
					CTP3126201B	Inframe OH Set
					CTP3126201C	Cylinder Head Repl. Gasket Set
	7AS01-UP	155-3346, 155-3350, 155-3360, 166-9471	3126B, TRUCK ENGINE	Turbocharged, Single Head	CTP3126202A	Out of Frame OH Gasket Set
					CTP3126202B	Inframe OH Set
					CTP3126202C	Cylinder Head Repl. Gasket Set
	7AS01-UP	155-3347, 155-3351, 155-3359, 155-3455	3126B, TRUCK ENGINE	Turbocharged, Single Head	CTP3126203A	Out of Frame OH Gasket Set
					CTP3126203B	Inframe OH Set
					CTP3126203C	Cylinder Head Repl. Gasket Set
	7AS01-UP	155-3404, 166-9470	3126B, TRUCK ENGINE	Turbocharged, Single Head	CTP3126204A	Out of Frame OH Gasket Set
					CTP3126204B	Inframe OH Set
					CTP3126204C	Cylinder Head Repl. Gasket Set
	7AS01-UP	156-2291, 156-2305, 156-2451, 156-2452	3126B, TRUCK ENGINE	Turbocharged, Single Head	CTP3126205A	Out of Frame OH Gasket Set
					CTP3126205B	Inframe OH Set
					CTP3126205C	Cylinder Head Repl. Gasket Set
	7AS01-UP	156-2293, 156-2299, 156-2303, 156-2360	3126B, TRUCK ENGINE	Turbocharged, Single Head	CTP3126206A	Out of Frame OH Gasket Set
					CTP3126206B	Inframe OH Set
					CTP3126206C	Cylinder Head Repl. Gasket Set

Prefix	Serial No.	Arrangement	Application	Comments	Part Number	Description
7AS	7AS01-UP	156-2295	3126B, TRUCK ENGINE	Turbocharged, Single Head	CTP3126207A	Out of Frame OH Gasket Set
					CTP3126207B	Inframe OH Set
					CTP3126207C	Cylinder Head Repl. Gasket Set
	7AS01-UP	156-2296	3126B, TRUCK ENGINE	Turbocharged, Single Head	CTP3126208A	Out of Frame OH Gasket Set
					CTP3126208B	Inframe OH Set
					CTP3126208C	Cylinder Head Repl. Gasket Set
	7AS01-UP	156-2298	3126B, TRUCK ENGINE	Turbocharged, Single Head	CTP3126209A	Out of Frame OH Gasket Set
					CTP3126209B	Inframe OH Set
					CTP3126209C	Cylinder Head Repl. Gasket Set
	7AS01-UP	156-2311, 156-2313, 158-5485, 169-9267	3126B, TRUCK ENGINE	Turbocharged, Single Head	CTP3126210A	Out of Frame OH Gasket Set
					CTP3126210B	Inframe OH Set
					CTP3126210C	Cylinder Head Repl. Gasket Set
	7AS01-UP	156-2355, 156-2454, 156-2456, 156-2458	3126B, TRUCK ENGINE	Turbocharged, Single Head	CTP3126211A	Out of Frame OH Gasket Set
					CTP3126211B	Inframe OH Set
					CTP3126211C	Cylinder Head Repl. Gasket Set
	7AS01-UP	156-2459, 157-5395, 166-9736	3126B, TRUCK ENGINE	Turbocharged, Single Head	CTP3126212A	Out of Frame OH Gasket Set
					CTP3126212B	Inframe OH Set
					CTP3126212C	Cylinder Head Repl. Gasket Set
	7AS01-UP	157-5394	3126B, TRUCK ENGINE	Turbocharged, Single Head	CTP3126213A	Out of Frame OH Gasket Set
					CTP3126213B	Inframe OH Set
					CTP3126213C	Cylinder Head Repl. Gasket Set
	7AS01-UP	157-5397, 157-5427, 157-5456, 157-5471	3126B, TRUCK ENGINE	Turbocharged, Single Head	CTP3126214A	Out of Frame OH Gasket Set
					CTP3126214B	Inframe OH Set
					CTP3126214C	Cylinder Head Repl. Gasket Set
	7AS01-UP	157-5398, 158-5245, 158-5532, 158-5533	3126B, TRUCK ENGINE	Turbocharged, Single Head	CTP3126215A	Out of Frame OH Gasket Set
					CTP3126215B	Inframe OH Set
					CTP3126215C	Cylinder Head Repl. Gasket Set
	7AS01-UP	157-5410, 157-5412, 158-5403, 164-8687	3126B, TRUCK ENGINE	Turbocharged, Single Head	CTP3126216A	Out of Frame OH Gasket Set
					CTP3126216B	Inframe OH Set
					CTP3126216C	Cylinder Head Repl. Gasket Set
	7AS01-UP	157-5428	3126B, TRUCK ENGINE	Turbocharged, Single Head	CTP3126217A	Out of Frame OH Gasket Set
					CTP3126217B	Inframe OH Set
					CTP3126217C	Cylinder Head Repl. Gasket Set
	7AS01-UP	157-5472, 157-5491, 158-5154, 158-5155	3126B, TRUCK ENGINE	Turbocharged, Single Head	CTP3126218A	Out of Frame OH Gasket Set
					CTP3126218B	Inframe OH Set
					CTP3126218C	Cylinder Head Repl. Gasket Set

Prefix	Serial No.	Arrangement	Application	Comments	Part Number	Description
7AS	7AS01-UP	158-5184, 158-5188, 158-5386, 158-5400	3126B, TRUCK ENGINE	Turbocharged, Single Head	CTP3126219A	Out of Frame OH Gasket Set
					CTP3126219B	Inframe OH Set
					CTP3126219C	Cylinder Head Repl. Gasket Set
	7AS01-UP	158-5229	3126B, TRUCK ENGINE	Turbocharged, Single Head	CTP3126220A	Out of Frame OH Gasket Set
					CTP3126220B	Inframe OH Set
					CTP3126220C	Cylinder Head Repl. Gasket Set
	7AS01-UP	158-5252, 164-8892, 164-8894, 164-8895	3126B, TRUCK ENGINE	Turbocharged, Single Head	CTP3126221A	Out of Frame OH Gasket Set
					CTP3126221B	Inframe OH Set
					CTP3126221C	Cylinder Head Repl. Gasket Set
	7AS01-UP	158-5293, 158-5527	3126B, TRUCK ENGINE	Turbocharged, Single Head	CTP3126222A	Out of Frame OH Gasket Set
					CTP3126222B	Inframe OH Set
					CTP3126222C	Cylinder Head Repl. Gasket Set
	7AS01-UP	158-5525	3126B, TRUCK ENGINE	Turbocharged, Single Head	CTP3126223A	Out of Frame OH Gasket Set
					CTP3126223B	Inframe OH Set
					CTP3126223C	Cylinder Head Repl. Gasket Set
	7AS01-UP	158-5527, 158-5530, 158-5531, 158-5534	3126B, TRUCK ENGINE	Turbocharged, Single Head	CTP3126224A	Out of Frame OH Gasket Set
					CTP3126224B	Inframe OH Set
					CTP3126224C	Cylinder Head Repl. Gasket Set
	7AS01-UP	158-5529	3126B, TRUCK ENGINE	Turbocharged, Single Head	CTP3126225A	Out of Frame OH Gasket Set
					CTP3126225B	Inframe OH Set
					CTP3126225C	Cylinder Head Repl. Gasket Set
	7AS01-UP	158-5535, 158-5536, 158-5538, 160-2764	3126B, TRUCK ENGINE	Turbocharged, Single Head	CTP3126226A	Out of Frame OH Gasket Set
					CTP3126226B	Inframe OH Set
					CTP3126226C	Cylinder Head Repl. Gasket Set
	7AS01-UP	158-5554, 160-2801, 160-3106, 160-3252	3126B, TRUCK ENGINE	Turbocharged, Single Head	CTP3126227A	Out of Frame OH Gasket Set
					CTP3126227B	Inframe OH Set
					CTP3126227C	Cylinder Head Repl. Gasket Set
	7AS01-UP	160-2800, 160-2803, 160-2804, 160-2839	3126B, TRUCK ENGINE	Turbocharged, Single Head	CTP3126228A	Out of Frame OH Gasket Set
					CTP3126228B	Inframe OH Set
					CTP3126228C	Cylinder Head Repl. Gasket Set
	7AS01-UP	160-2868, 160-2884, 160-2921, 160-2956	3126B, TRUCK ENGINE	Turbocharged, Single Head	CTP3126229A	Out of Frame OH Gasket Set
					CTP3126229B	Inframe OH Set
					CTP3126229C	Cylinder Head Repl. Gasket Set
	7AS01-UP	160-3034, 160-3263, 160-3339, 160-3402	3126B, TRUCK ENGINE	Turbocharged, Single Head	CTP3126230A	Out of Frame OH Gasket Set
					CTP3126230B	Inframe OH Set
					CTP3126230C	Cylinder Head Repl. Gasket Set



Prefix	Serial No.	Arrangement	Application	Comments	Part Number	Description
7AS	7AS01-UP	160-3357, 164-8703, 166-9652, 166-9841	3126B, TRUCK ENGINE	Turbocharged, Single Head	CTP3126231A	Out of Frame OH Gasket Set
					CTP3126231B	Inframe OH Set
					CTP3126231C	Cylinder Head Repl. Gasket Set
	7AS01-UP	160-3403, 160-3453, 164-1810, 164-1899	3126B, TRUCK ENGINE	Turbocharged, Single Head	CTP3126232A	Out of Frame OH Gasket Set
					CTP3126232B	Inframe OH Set
					CTP3126232C	Cylinder Head Repl. Gasket Set
	7AS01-UP	164-1877	3126B, TRUCK ENGINE	Turbocharged, Single Head	CTP3126233A	Out of Frame OH Gasket Set
					CTP3126233B	Inframe OH Set
					CTP3126233C	Cylinder Head Repl. Gasket Set
	7AS01-UP	164-1890	3126B, TRUCK ENGINE	Turbocharged, Single Head	CTP3126234A	Out of Frame OH Gasket Set
					CTP3126234B	Inframe OH Set
					CTP3126234C	Cylinder Head Repl. Gasket Set
	7AS01-UP	164-1893, 166-9546	3126B, TRUCK ENGINE	Turbocharged, Single Head	CTP3126235A	Out of Frame OH Gasket Set
					CTP3126235B	Inframe OH Set
					CTP3126235C	Cylinder Head Repl. Gasket Set
	7AS01-UP	164-8631, 164-8810, 166-9548, 166-9835	3126B, TRUCK ENGINE	Turbocharged, Single Head	CTP3126236A	Out of Frame OH Gasket Set
					CTP3126236B	Inframe OH Set
					CTP3126236C	Cylinder Head Repl. Gasket Set
	7AS01-UP	164-8688, 164-8759, 164-8808, 166-9550	3126B, TRUCK ENGINE	Turbocharged, Single Head	CTP3126237A	Out of Frame OH Gasket Set
					CTP3126237B	Inframe OH Set
					CTP3126237C	Cylinder Head Repl. Gasket Set
	7AS01-UP	164-8896, 164-8897, 164-8898, 164-8899	3126B, TRUCK ENGINE	Turbocharged, Single Head	CTP3126238A	Out of Frame OH Gasket Set
					CTP3126238B	Inframe OH Set
					CTP3126238C	Cylinder Head Repl. Gasket Set
	7AS01-UP	166-9456, 166-9457, 166-9461, 166-9462	3126B, TRUCK ENGINE	Turbocharged, Single Head	CTP3126239A	Out of Frame OH Gasket Set
					CTP3126239B	Inframe OH Set
					CTP3126239C	Cylinder Head Repl. Gasket Set
	7AS01-UP	166-9464, 166-9467, 166-9468, 166-9469	3126B, TRUCK ENGINE	Turbocharged, Single Head	CTP3126240A	Out of Frame OH Gasket Set
					CTP3126240B	Inframe OH Set
					CTP3126240C	Cylinder Head Repl. Gasket Set
	7AS01-UP	166-9466	3126B, TRUCK ENGINE	Turbocharged, Single Head	CTP3126241A	Out of Frame OH Gasket Set
					CTP3126241B	Inframe OH Set
					CTP3126241C	Cylinder Head Repl. Gasket Set
	7AS01-UP	166-9472, 166-9973, 166-9474, 166-9481	3126B, TRUCK ENGINE	Turbocharged, Single Head	CTP3126242A	Out of Frame OH Gasket Set
					CTP3126242B	Inframe OH Set
					CTP3126242C	Cylinder Head Repl. Gasket Set

Prefix	Serial No.	Arrangement	Application	Comments	Part Number	Description
7AS	7AS01-UP	166-9475, 166-9476, 166-9478, 166-9479	3126B TRUCK ENGINE	Turbocharged, Single Head	CTP3126243A	Out of Frame OH Gasket Set
					CTP3126243B	Inframe OH Set
					CTP3126243C	Cylinder Head Repl. Gasket Set
	7AS01-UP	166-9480, 166-9526, 166-9528, 166-9530	3126B TRUCK ENGINE	Turbocharged, Single Head	CTP3126244A	Out of Frame OH Gasket Set
					CTP3126244B	Inframe OH Set
					CTP3126244C	Cylinder Head Repl. Gasket Set
	7AS01-UP	166-9482, 166-9483, 166-9484, 166-9485	3126B TRUCK ENGINE	Turbocharged, Single Head	CTP3126245A	Out of Frame OH Gasket Set
					CTP3126245B	Inframe OH Set
					CTP3126245C	Cylinder Head Repl. Gasket Set
	7AS01-UP	166-9486	3126B TRUCK ENGINE	Turbocharged, Single Head	CTP3126246A	Out of Frame OH Gasket Set
					CTP3126246B	Inframe OH Set
					CTP3126246C	Cylinder Head Repl. Gasket Set
	7AS01-UP	166-9549, 166-9575, 173-6351	3126B TRUCK ENGINE	Turbocharged, Single Head	CTP3126247A	Out of Frame OH Gasket Set
					CTP3126247B	Inframe OH Set
					CTP3126247C	Cylinder Head Repl. Gasket Set
	7AS01-UP	166-9574, 170-7963	3126B TRUCK ENGINE	Turbocharged, Single Head	CTP3126248A	Out of Frame OH Gasket Set
					CTP3126248B	Inframe OH Set
					CTP3126248C	Cylinder Head Repl. Gasket Set
	7AS01-UP	166-9593	3126B TRUCK ENGINE	Turbocharged, Single Head	CTP3126249A	Out of Frame OH Gasket Set
					CTP3126249B	Inframe OH Set
					CTP3126249C	Cylinder Head Repl. Gasket Set
	7AS01-UP	166-9620	3126B TRUCK ENGINE	Turbocharged, Single Head	CTP3126250A	Out of Frame OH Gasket Set
					CTP3126250B	Inframe OH Set
					CTP3126250C	Cylinder Head Repl. Gasket Set
	7AS01-UP	166-9653, 166-9663, 166-9836, 166-9838	3126B TRUCK ENGINE	Turbocharged, Single Head	CTP3126251A	Out of Frame OH Gasket Set
					CTP3126251B	Inframe OH Set
					CTP3126251C	Cylinder Head Repl. Gasket Set
	7AS01-UP	166-9671, 166-9695	3126B TRUCK ENGINE	Turbocharged, Single Head	CTP3126252A	Out of Frame OH Gasket Set
					CTP3126252B	Inframe OH Set
					CTP3126252C	Cylinder Head Repl. Gasket Set
	7AS01-UP	166-9672, 166-9689	3126B TRUCK ENGINE	Turbocharged, Single Head	CTP3126253A	Out of Frame OH Gasket Set
					CTP3126253B	Inframe OH Set
					CTP3126253C	Cylinder Head Repl. Gasket Set
	7AS01-UP	166-9690, 166-9692, 166-9693, 166-9694	3126B TRUCK ENGINE	Turbocharged, Single Head	CTP3126254A	Out of Frame OH Gasket Set
					CTP3126254B	Inframe OH Set
					CTP3126254C	Cylinder Head Repl. Gasket Set

Prefix	Serial No.	Arrangement	Application	Comments	Part Number	Description
7AS	7AS01-UP	166-9691, 173-6289, 173-6290	3126B TRUCK ENGINE	Turbocharged, Single Head	CTP3126255A	Out of Frame OH Gasket Set
					CTP3126255B	Inframe OH Set
					CTP3126255C	Cylinder Head Repl. Gasket Set
	7AS01-UP	166-9696	3126B TRUCK ENGINE	Turbocharged, Single Head	CTP3126256A	Out of Frame OH Gasket Set
					CTP3126256B	Inframe OH Set
					CTP3126256C	Cylinder Head Repl. Gasket Set
	7AS01-UP	166-9697	3126B TRUCK ENGINE	Turbocharged, Single Head	CTP3126257A	Out of Frame OH Gasket Set
					CTP3126257B	Inframe OH Set
					CTP3126257C	Cylinder Head Repl. Gasket Set
	7AS01-UP	166-9704, 166-9716	3126B TRUCK ENGINE	Turbocharged, Single Head	CTP3126258A	Out of Frame OH Gasket Set
					CTP3126258B	Inframe OH Set
					CTP3126258C	Cylinder Head Repl. Gasket Set
	7AS01-UP	166-9713	3126B TRUCK ENGINE	Turbocharged, Single Head	CTP3126259A	Out of Frame OH Gasket Set
					CTP3126259B	Inframe OH Set
					CTP3126259C	Cylinder Head Repl. Gasket Set
	7AS01-UP	166-9719, 166-9723	3126B TRUCK ENGINE	Turbocharged, Single Head	CTP3126260A	Out of Frame OH Gasket Set
					CTP3126260B	Inframe OH Set
					CTP3126260C	Cylinder Head Repl. Gasket Set
	7AS01-UP	166-9756	3126B TRUCK ENGINE	Turbocharged, Single Head	CTP3126261A	Out of Frame OH Gasket Set
					CTP3126261B	Inframe OH Set
					CTP3126261C	Cylinder Head Repl. Gasket Set
	7AS01-UP	166-9788	3126B TRUCK ENGINE	Turbocharged, Single Head	CTP3126262A	Out of Frame OH Gasket Set
					CTP3126262B	Inframe OH Set
					CTP3126262C	Cylinder Head Repl. Gasket Set
	7AS01-UP	169-2236, 169-2337, 169-5222, 169-5223	3126B TRUCK ENGINE	Turbocharged, Single Head	CTP3126263A	Out of Frame OH Gasket Set
					CTP3126263B	Inframe OH Set
					CTP3126263C	Cylinder Head Repl. Gasket Set
	7AS01-UP	169-5177, 173-6354	3126B TRUCK ENGINE	Turbocharged, Single Head	CTP3126264A	Out of Frame OH Gasket Set
					CTP3126264B	Inframe OH Set
					CTP3126264C	Cylinder Head Repl. Gasket Set
	7AS01-UP	169-5227, 169-5270, 169-5271, 169-9201	3126B TRUCK ENGINE	Turbocharged, Single Head	CTP3126265A	Out of Frame OH Gasket Set
					CTP3126265B	Inframe OH Set
					CTP3126265C	Cylinder Head Repl. Gasket Set
	7AS01-UP	169-5272	3126B TRUCK ENGINE	Turbocharged, Single Head	CTP3126266A	Out of Frame OH Gasket Set
					CTP3126266B	Inframe OH Set
					CTP3126266C	Cylinder Head Repl. Gasket Set

Prefix	Serial No.	Arrangement	Application	Comments	Part Number	Description
7AS	7AS01-UP	169-5273, 169-5275, 169-5288, 169-9261	3126B TRUCK ENGINE	Turbocharged, Single Head	CTP3126267A	Out of Frame OH Gasket Set
					CTP3126267B	Inframe OH Set
					CTP3126267C	Cylinder Head Repl. Gasket Set
	7AS01-UP	169-5295, 169-9382	3126B TRUCK ENGINE	Turbocharged, Single Head	CTP3126268A	Out of Frame OH Gasket Set
					CTP3126268B	Inframe OH Set
					CTP3126268C	Cylinder Head Repl. Gasket Set
	7AS01-UP	169-5299	3126B TRUCK ENGINE	Turbocharged, Single Head	CTP3126269A	Out of Frame OH Gasket Set
					CTP3126269B	Inframe OH Set
					CTP3126269C	Cylinder Head Repl. Gasket Set
	7AS01-UP	169-9315, 169-9329, 169-9409, 170-7964	3126B TRUCK ENGINE	Turbocharged, Single Head	CTP3126270A	Out of Frame OH Gasket Set
					CTP3126270B	Inframe OH Set
					CTP3126270C	Cylinder Head Repl. Gasket Set
	7AS01-UP	169-9321, 169-9330, 169-9403, 169-9841	3126B TRUCK ENGINE	Turbocharged, Single Head	CTP3126271A	Out of Frame OH Gasket Set
					CTP3126271B	Inframe OH Set
					CTP3126271C	Cylinder Head Repl. Gasket Set
	7AS01-UP	170-7767	3126B TRUCK ENGINE	Turbocharged, Single Head	CTP3126272A	Out of Frame OH Gasket Set
					CTP3126272B	Inframe OH Set
					CTP3126272C	Cylinder Head Repl. Gasket Set
	7AS01-UP	170-7774, 171-5088, 171-5096, 171-8250	3126B TRUCK ENGINE	Turbocharged, Single Head	CTP3126273A	Out of Frame OH Gasket Set
					CTP3126273B	Inframe OH Set
					CTP3126273C	Cylinder Head Repl. Gasket Set
	7AS01-UP	171-8251, 171-8323, 171-8572, 173-6328	3126B TRUCK ENGINE	Turbocharged, Single Head	CTP3126274A	Out of Frame OH Gasket Set
					CTP3126274B	Inframe OH Set
					CTP3126274C	Cylinder Head Repl. Gasket Set
	7AS00001-7AS86722	171-8415	3126B TRUCK ENGINE	Turbocharged, Single Head	CTP3126275A	Out of Frame OH Gasket Set
					CTP3126275B	Inframe OH Set
					CTP3126275C	Cylinder Head Repl. Gasket Set
	7AS01-UP	171-8436, 173-6329, 173-6332	3126B TRUCK ENGINE	Turbocharged, Single Head	CTP3126276A	Out of Frame OH Gasket Set
					CTP3126276B	Inframe OH Set
					CTP3126276C	Cylinder Head Repl. Gasket Set
	7AS01-UP	171-8450	3126B TRUCK ENGINE	Turbocharged, Single Head	CTP3126277A	Out of Frame OH Gasket Set
					CTP3126277B	Inframe OH Set
					CTP3126277C	Cylinder Head Repl. Gasket Set
	7AS01-UP	172-9199, 173-2057	3126B TRUCK ENGINE	Turbocharged, Single Head	CTP3126278A	Out of Frame OH Gasket Set
					CTP3126278B	Inframe OH Set
					CTP3126278C	Cylinder Head Repl. Gasket Set

Prefix	Serial No.	Arrangement	Application	Comments	Part Number	Description
7AS	7AS01-UP	173-6284, 173-6286, 173-6288	3126B TRUCK ENGINE	Turbocharged, Single Head	CTP3126279A	Out of Frame OH Gasket Set
					CTP3126279B	Inframe OH Set
					CTP3129279C	Cylinder Head Repl. Gasket Set
	7AS01-UP	173-6285	3126B TRUCK ENGINE	Turbocharged, Single Head	CTP3126280A	Out of Frame OH Gasket Set
					CTP3126280B	Inframe OH Set
					CTP3126280C	Cylinder Head Repl. Gasket Set
	7AS01-UP	173-6287	3126B TRUCK ENGINE	Turbocharged, Single Head	CTP3126281A	Out of Frame OH Gasket Set
					CTP3126281B	Inframe OH Set
					CTP3126281C	Cylinder Head Repl. Gasket Set
	7AS01-UP	173-6291	3126B TRUCK ENGINE	Turbocharged, Single Head	CTP3126282A	Out of Frame OH Gasket Set
					CTP3126282B	Inframe OH Set
					CTP3126282C	Cylinder Head Repl. Gasket Set
	7AS01-UP	173-6292	3126B TRUCK ENGINE	Turbocharged, Single Head	CTP3126283A	Out of Frame OH Gasket Set
					CTP3126283B	Inframe OH Set
					CTP3126283C	Cylinder Head Repl. Gasket Set
	7AS01-UP	173-6293, 173-6294	3126B TRUCK ENGINE	Turbocharged, Single Head	CTP3126284A	Out of Frame OH Gasket Set
					CTP3126284B	Inframe OH Set
					CTP3126284C	Cylinder Head Repl. Gasket Set
	7AS01-UP	173-6352	3126B TRUCK ENGINE	Turbocharged, Single Head	CTP3126285A	Out of Frame OH Gasket Set
					CTP3126285B	Inframe OH Set
					CTP3126285C	Cylinder Head Repl. Gasket Set
	7AS01-UP	173-6374	3126B TRUCK ENGINE	Turbocharged, Single Head	CTP3126286A	Out of Frame OH Gasket Set
					CTP3126286B	Inframe OH Set
					CTP3126286C	Cylinder Head Repl. Gasket Set
	7AS01-UP	175-1851	3126B TRUCK ENGINE	Turbocharged, Single Head	CTP3126287A	Out of Frame OH Gasket Set
					CTP3126287B	Inframe OH Set
					CTP3126287C	Cylinder Head Repl. Gasket Set
	7AS01-UP	175-2090	3126B TRUCK ENGINE	Turbocharged, Single Head	CTP3126288A	Out of Frame OH Gasket Set
					CTP3126288B	Inframe OH Set
					CTP3126288C	Cylinder Head Repl. Gasket Set
	7AS01-UP	175-2091, 175-2092	3126B TRUCK ENGINE	Turbocharged, Single Head	CTP3126289A	Out of Frame OH Gasket Set
					CTP3126289B	Inframe OH Set
					CTP3126289C	Cylinder Head Repl. Gasket Set
	7AS01-UP	175-9179	3126B TRUCK ENGINE	Turbocharged, Single Head	CTP3126290A	Out of Frame OH Gasket Set
					CTP3126290B	Inframe OH Set
					CTP3126290C	Cylinder Head Repl. Gasket Set

Prefix	Serial No.	Arrangement	Application	Comments	Part Number	Description
7AS	7AS01-UP	177-1109	3126B TRUCK ENGINE	Turbocharged, Single Head	CTP3126293A	Out of Frame OH Gasket Set
					CTP3126293B	Inframe OH Set
					CTP3126293C	Cylinder Head Repl. Gasket Set
	7AS01-UP	177-1220	3126B TRUCK ENGINE	Turbocharged, Single Head	CTP3126294A	Out of Frame OH Gasket Set
					CTP3126294B	Inframe OH Set
					CTP3126294C	Cylinder Head Repl. Gasket Set
7JZ	7JZ01-UP	151-7123	3126, TRUCK ENGINE	Turbocharged, Single Head	CTP3126155A	Out of Frame OH Gasket Set
					CTP3126155B	Inframe OH Set
					CTP3126155C	Cylinder Head Repl. Gasket Set
	7JZ01-UP	237-4837	3126, TRUCK ENGINE	Turbocharged, Single Head	CTP3126156A	Out of Frame OH Gasket Set
					CTP3126156B	Inframe OH Set
					CTP3126156C	Cylinder Head Repl. Gasket Set
	7JZ01-UP	156-2278, 156-2287, 156-2439	3126, TRUCK ENGINE	Turbocharged, Single Head	CTP3126157A	Out of Frame OH Gasket Set
					CTP3126157B	Inframe OH Set
					CTP3126157C	Cylinder Head Repl. Gasket Set
	7JZ01-UP	156-2280, 156-2281, 156-2285, 156-2441	3126, TRUCK ENGINE	Turbocharged, Single Head	CTP3126158A	Out of Frame OH Gasket Set
					CTP3126158B	Inframe OH Set
					CTP3126158C	Cylinder Head Repl. Gasket Set
8HW	8HW01-UP	156-1957	3126, TRUCK ENGINE	Turbocharged, Single Head	CTP3126160A	Out of Frame OH Gasket Set
					CTP3126160B	Inframe OH Set
					CTP3126160C	Cylinder Head Repl. Gasket Set
	8HW01-UP	156-1958	3126, TRUCK ENGINE	Turbocharged, Single Head	CTP3126161A	Out of Frame OH Gasket Set
					CTP3126161B	Inframe OH Set
					CTP3126161C	Cylinder Head Repl. Gasket Set
	8HW01-UP	156-1959	3126, TRUCK ENGINE	Turbocharged, Single Head	CTP3126162A	Out of Frame OH Gasket Set
					CTP3126162B	Inframe OH Set
					CTP3126162C	Cylinder Head Repl. Gasket Set
8HW01-UP	164-8709	3126, TRUCK ENGINE	Turbocharged, Single Head	CTP3126163A	Out of Frame OH Gasket Set	
				CTP3126163B	Inframe OH Set	
				CTP3126163C	Cylinder Head Repl. Gasket Set	
8HW01-UP	164-8710	3126, TRUCK ENGINE	Turbocharged, Single Head	CTP3126164A	Out of Frame OH Gasket Set	
				CTP3126164B	Inframe OH Set	
				CTP3126164C	Cylinder Head Repl. Gasket Set	
8SZ	8SZ01-UP	179-4052	3126, TRUCK ENGINE	Turbocharged, Single Head	CTP3126165A	Out of Frame OH Gasket Set
					CTP3126165B	Inframe OH Set
					CTP3126165C	Cylinder Head Repl. Gasket Set

Prefix	Serial No.	Arrangement	Application	Comments	Part Number	Description
8YL	8YL01-UP	173-6375, 173-6379, 173-6380, 173-6381	3126B TRUCK ENGINE	Turbocharged, Single Head	CTP3126295A	Out of Frame OH Gasket Set
					CTP3126295B	Inframe OH Set
					CTP3126295C	Cylinder Head Repl. Gasket Set
	8YL01-UP	173-6376	3126B TRUCK ENGINE	Turbocharged, Single Head	CTP3126296A	Out of Frame OH Gasket Set
					CTP3126296B	Inframe OH Set
					CTP3126296C	Cylinder Head Repl. Gasket Set
	8YL01-UP	173-6377	3126B TRUCK ENGINE	Turbocharged, Single Head	CTP3126297A	Out of Frame OH Gasket Set
					CTP3126297B	Inframe OH Set
					CTP3126297C	Cylinder Head Repl. Gasket Set
	8YL01-UP	173-6378, 173-6384, 173-6386, 173-6388	3126B TRUCK ENGINE	Turbocharged, Single Head	CTP3126298A	Out of Frame OH Gasket Set
					CTP3126298B	Inframe OH Set
					CTP3126298C	Cylinder Head Repl. Gasket Set
	8YL01-UP	173-6382, 173-6398, 175-1958, 185-4848	3126B TRUCK ENGINE	Turbocharged, Single Head	CTP3126299A	Out of Frame OH Gasket Set
					CTP3126299B	Inframe OH Set
					CTP3126299C	Cylinder Head Repl. Gasket Set
	8YL01-UP	173-6383	3126B TRUCK ENGINE	Turbocharged, Single Head	CTP3126300A	Out of Frame OH Gasket Set
					CTP3126300B	Inframe OH Set
					CTP3126300C	Cylinder Head Repl. Gasket Set
	8YL01-UP	173-6385, 173-6389, 173-6393, 173-6396	3126B TRUCK ENGINE	Turbocharged, Single Head	CTP3126301A	Out of Frame OH Gasket Set
					CTP3126301B	Inframe OH Set
					CTP3126301C	Cylinder Head Repl. Gasket Set
	8YL01-UP	173-6387	3126B TRUCK ENGINE	Turbocharged, Single Head	CTP3126302A	Out of Frame OH Gasket Set
					CTP3126302B	Inframe OH Set
					CTP3126302C	Cylinder Head Repl. Gasket Set
	8YL01-UP	173-6392, 173-6395, 173-6403, 173-6407, 173-6408	3126B TRUCK ENGINE	Turbocharged, Single Head	CTP3126303A	Out of Frame OH Gasket Set
					CTP3126303B	Inframe OH Set
					CTP3126303C	Cylinder Head Repl. Gasket Set
	8YL01-UP	173-6399	3126B TRUCK ENGINE	Turbocharged, Single Head	CTP3126304A	Out of Frame OH Gasket Set
					CTP3126304B	Inframe OH Set
					CTP3126304C	Cylinder Head Repl. Gasket Set
	8YL01-UP	173-6404	3126B TRUCK ENGINE	Turbocharged, Single Head	CTP3126305A	Out of Frame OH Gasket Set
					CTP3126305B	Inframe OH Set
					CTP3126305C	Cylinder Head Repl. Gasket Set
	8YL01-UP	173-6405, 173-6409	3126B TRUCK ENGINE	Turbocharged, Single Head	CTP3126306A	Out of Frame OH Gasket Set
					CTP3126306B	Inframe OH Set
					CTP3126306C	Cylinder Head Repl. Gasket Set

Prefix	Serial No.	Arrangement	Application	Comments	Part Number	Description
8YL	8YL01-UP	173-6415, 173-6417, 177-1185, 177-1187, 177-1232	3126B TRUCK ENGINE	Turbocharged, Single Head	CTP3126307A	Out of Frame OH Gasket Set
					CTP3126307B	Inframe OH Set
					CTP3126307C	Cylinder Head Repl. Gasket Set
	8YL01-UP	175-1926, 175-9295, 175-9363	3126B TRUCK ENGINE	Turbocharged, Single Head	CTP3126308A	Out of Frame OH Gasket Set
					CTP3126308B	Inframe OH Set
					CTP3126308C	Cylinder Head Repl. Gasket Set
	8YL01-UP	175-1927, 177-1115, 177-1120, 177-1122, 177-1125	3126B TRUCK ENGINE	Turbocharged, Single Head	CTP3126309A	Out of Frame OH Gasket Set
					CTP3126309B	Inframe OH Set
					CTP3126309C	Cylinder Head Repl. Gasket Set
	8YL01-UP	175-1959, 175-1968, 175-1991, 177-1121	3126B TRUCK ENGINE	Turbocharged, Single Head	CTP3126310A	Out of Frame OH Gasket Set
					CTP3126310B	Inframe OH Set
					CTP3126310C	Cylinder Head Repl. Gasket Set
	8YL01-UP	175-1961, 175-1971, 175-1974, 175-1978, 175-1980	3126B TRUCK ENGINE	Turbocharged, Single Head	CTP3126311A	Out of Frame OH Gasket Set
					CTP3126311B	Inframe OH Set
					CTP3126311C	Cylinder Head Repl. Gasket Set
	8YL01-UP	175-1969, 177-1245, 178-1599, 179-1098	3126B TRUCK ENGINE	Turbocharged, Single Head	CTP3126312A	Out of Frame OH Gasket Set
					CTP3126312B	Inframe OH Set
					CTP3126312C	Cylinder Head Repl. Gasket Set
	8YL01-UP	175-1997	3126B TRUCK ENGINE	Turbocharged, Single Head	CTP3126313A	Out of Frame OH Gasket Set
					CTP3126313B	Inframe OH Set
					CTP3126313C	Cylinder Head Repl. Gasket Set
	8YL01-UP	175-9180	3126B TRUCK ENGINE	Turbocharged, Single Head	CTP3126314A	Out of Frame OH Gasket Set
					CTP3126314B	Inframe OH Set
					CTP3126314C	Cylinder Head Repl. Gasket Set
	8YL01-UP	175-9294	3126B TRUCK ENGINE	Turbocharged, Single Head	CTP3126315A	Out of Frame OH Gasket Set
					CTP3126315B	Inframe OH Set
					CTP3126315C	Cylinder Head Repl. Gasket Set
	8YL01-UP	175-9296, 175-9297, 175-9320, 175-9346, 177-1179	3126B TRUCK ENGINE	Turbocharged, Single Head	CTP3126316A	Out of Frame OH Gasket Set
					CTP3126316B	Inframe OH Set
					CTP3126316C	Cylinder Head Repl. Gasket Set
	8YL01-UP	175-9321, 175-9360	3126B TRUCK ENGINE	Turbocharged, Single Head	CTP3126317A	Out of Frame OH Gasket Set
					CTP3126317B	Inframe OH Set
					CTP3126317C	Cylinder Head Repl. Gasket Set
	8YL01-UP	175-9322	3126B TRUCK ENGINE	Turbocharged, Single Head	CTP3126318A	Out of Frame OH Gasket Set
					CTP3126318B	Inframe OH Set
					CTP3126318C	Cylinder Head Repl. Gasket Set

Prefix	Serial No.	Arrangement	Application	Comments	Part Number	Description
8YL	8YL01-UP	175-9323, 177-1178	3126B TRUCK ENGINE	Turbocharged, Single Head	CTP3126319A	Out of Frame OH Gasket Set
					CTP3126319B	Inframe OH Set
					CTP3126319C	Cylinder Head Repl. Gasket Set
	8YL01-UP	175-9361	3126B TRUCK ENGINE	Turbocharged, Single Head	CTP3126320A	Out of Frame OH Gasket Set
					CTP3126320B	Inframe OH Set
					CTP3126320C	Cylinder Head Repl. Gasket Set
	8YL01-UP	175-9362	3126B TRUCK ENGINE	Turbocharged, Single Head	CTP3126321A	Out of Frame OH Gasket Set
					CTP3126321B	Inframe OH Set
					CTP3126321C	Cylinder Head Repl. Gasket Set
	8YL01-UP	177-1112, 177-1113, 177-1116, 177-1118, 177-1195	3126B TRUCK ENGINE	Turbocharged, Single Head	CTP3126322A	Out of Frame OH Gasket Set
					CTP3126322B	Inframe OH Set
					CTP3126322C	Cylinder Head Repl. Gasket Set
	8YL01-UP	177-1148, 177-1150, 177-1354	3126B TRUCK ENGINE	Turbocharged, Single Head	CTP3126323A	Out of Frame OH Gasket Set
					CTP3126323B	Inframe OH Set
					CTP3126323C	Cylinder Head Repl. Gasket Set
	8YL01-UP	175-1149	3126B TRUCK ENGINE	Turbocharged, Single Head	CTP3126324A	Out of Frame OH Gasket Set
					CTP3126324B	Inframe OH Set
					CTP3126324C	Cylinder Head Repl. Gasket Set
	8YL01-UP	177-1151	3126B TRUCK ENGINE	Turbocharged, Single Head	CTP3126325A	Out of Frame OH Gasket Set
					CTP3126325B	Inframe OH Set
					CTP3126325C	Cylinder Head Repl. Gasket Set
	8YL01-UP	175-1152, 177-1156	3126B TRUCK ENGINE	Turbocharged, Single Head	CTP3126326A	Out of Frame OH Gasket Set
					CTP3126326B	Inframe OH Set
					CTP3126326C	Cylinder Head Repl. Gasket Set
	8YL01-UP	177-1153, 177-1155	3126B TRUCK ENGINE	Turbocharged, Single Head	CTP3126327A	Out of Frame OH Gasket Set
					CTP3126327B	Inframe OH Set
					CTP3126327C	Cylinder Head Repl. Gasket Set
	8YL01-UP	175-1154	3126B TRUCK ENGINE	Turbocharged, Single Head	CTP3126328A	Out of Frame OH Gasket Set
					CTP3126328B	Inframe OH Set
					CTP3126328C	Cylinder Head Repl. Gasket Set
	8YL01-UP	177-1166, 177-1177, 177-1194, 177-1223, 177-1230	3126B TRUCK ENGINE	Turbocharged, Single Head	CTP3126329A	Out of Frame OH Gasket Set
					CTP3126329B	Inframe OH Set
					CTP3126329C	Cylinder Head Repl. Gasket Set
	8YL01-UP	177-1180	3126B TRUCK ENGINE	Turbocharged, Single Head	CTP3126330C	Cylinder Head Repl. Gasket Set
	8YL01-UP	177-1181	3126B TRUCK ENGINE	Turbocharged, Single Head	CTP3126331A	Out of Frame OH Gasket Set
					CTP3126331B	Inframe OH Set
					CTP3126331C	Cylinder Head Repl. Gasket Set

Prefix	Serial No.	Arrangement	Application	Comments	Part Number	Description
8YL	8YL01-UP	177-1182, 177-1224, 178-1574, 179-0905, 184-2712	3126B TRUCK ENGINE	Turbocharged, Single Head	CTP3126332A	Out of Frame OH Gasket Set
					CTP3126332B	Inframe OH Set
					CTP3126332C	Cylinder Head Repl. Gasket Set
	8YL01-UP	177-1184, 178-1357, 185-4849, 185-4850	3126B TRUCK ENGINE	Turbocharged, Single Head	CTP3126333A	Out of Frame OH Gasket Set
					CTP3126333B	Inframe OH Set
					CTP3126333C	Cylinder Head Repl. Gasket Set
	8YL01-UP	177-1186	3126B TRUCK ENGINE	Turbocharged, Single Head	CTP3126334A	Out of Frame OH Gasket Set
					CTP3126334B	Inframe OH Set
					CTP3126334C	Cylinder Head Repl. Gasket Set
	8YL01-UP	177-1223, 178-1358, 178-1359, 178-1360	3126B TRUCK ENGINE	Turbocharged, Single Head	CTP3126335A	Out of Frame OH Gasket Set
					CTP3126335B	Inframe OH Set
					CTP3126335C	Cylinder Head Repl. Gasket Set
	8YL01-UP	177-1231	3126B TRUCK ENGINE	Turbocharged, Single Head	CTP3126337A	Out of Frame OH Gasket Set
					CTP3126337B	Inframe OH Set
					CTP3126337C	Cylinder Head Repl. Gasket Set
	8YL01-UP	177-1329	3126B TRUCK ENGINE	Turbocharged, Single Head	CTP3126338A	Out of Frame OH Gasket Set
					CTP3126338B	Inframe OH Set
					CTP3126338C	Cylinder Head Repl. Gasket Set
	8YL01-UP	177-1359	3126B TRUCK ENGINE	Turbocharged, Single Head	CTP3126339A	Out of Frame OH Gasket Set
					CTP3126339B	Inframe OH Set
					CTP3126339C	Cylinder Head Repl. Gasket Set
	8YL01-UP	178-1363	3126B TRUCK ENGINE	Turbocharged, Single Head	CTP3126340A	Out of Frame OH Gasket Set
					CTP3126340B	Inframe OH Set
					CTP3126340C	Cylinder Head Repl. Gasket Set
	8YL01-UP	178-1550	3126B TRUCK ENGINE	Turbocharged, Single Head	CTP3126341A	Out of Frame OH Gasket Set
					CTP3126341B	Inframe OH Set
					CTP3126341C	Cylinder Head Repl. Gasket Set
	8YL01-UP	178-1551, 178-1553	3126B TRUCK ENGINE	Turbocharged, Single Head	CTP3126342A	Out of Frame OH Gasket Set
					CTP3126342B	Inframe OH Set
					CTP3126342C	Cylinder Head Repl. Gasket Set
	8YL01-UP	178-1552, 178-1573, 178-1576, 178-1588, 178-1589	3126B TRUCK ENGINE	Turbocharged, Single Head	CTP3126343A	Out of Frame OH Gasket Set
					CTP3126343B	Inframe OH Set
					CTP3126343C	Cylinder Head Repl. Gasket Set
	8YL01-UP	178-1577, 178-1578, 178-1582, 178-1583	3126B, TRUCK ENGINE	Turbocharged, Single Head	CTP3126344C	Cylinder Head Repl. Gasket Set

Prefix	Serial No.	Arrangement	Application	Comments	Part Number	Description
8YL	8YL01-UP	178-1591, 179-0904, 179-0974, 179-0982	3126B, TRUCK ENGINE	Turbocharged, Single Head	CTP3126345A	Out of Frame OH Gasket Set
					CTP3126345B	Inframe OH Set
					CTP3126345C	Cylinder Head Repl. Gasket Set
	8YL01-UP	179-0963, 179-0969	3126B, TRUCK ENGINE	Turbocharged, Single Head	CTP3126346A	Out of Frame OH Gasket Set
					CTP3126346B	Inframe OH Set
					CTP3126346C	Cylinder Head Repl. Gasket Set
	8YL01-UP	179-0983, 179-0987, 179-1011, 179-1050	3126B, TRUCK ENGINE	Turbocharged, Single Head	CTP3126347A	Out of Frame OH Gasket Set
					CTP3126347B	Inframe OH Set
					CTP3126347C	Cylinder Head Repl. Gasket Set
	8YL01-UP	179-1048, 179-1052, 184-2797, 184-2798, 184-2898	3126B, TRUCK ENGINE	Turbocharged, Single Head	CTP3126348A	Out of Frame OH Gasket Set
					CTP3126348B	Inframe OH Set
					CTP3126348C	Cylinder Head Repl. Gasket Set
	8YL01-UP	179-1053, 179-1067, 179-1069, 179-1097, 179-1112	3126B, TRUCK ENGINE	Turbocharged, Single Head	CTP3126349A	Out of Frame OH Gasket Set
					CTP3126349B	Inframe OH Set
					CTP3126349C	Cylinder Head Repl. Gasket Set
	8YL01-UP	179-1085, 179-1139, 179-1154, 179-1191, 180-2099	3126B, TRUCK ENGINE	Turbocharged, Single Head	CTP3126350A	Out of Frame OH Gasket Set
					CTP3126350B	Inframe OH Set
					CTP3126350C	Cylinder Head Repl. Gasket Set
	8YL01-UP	179-1130, 179-1152, 179-1157, 179-3795, 189-9699	3126B, TRUCK ENGINE	Turbocharged, Single Head	CTP3126351A	Out of Frame OH Gasket Set
					CTP3126351B	Inframe OH Set
					CTP3126351C	Cylinder Head Repl. Gasket Set
	8YL01-UP	179-1153, 188-6673, 191-4045, 197-1002, 197-1003	3126B, TRUCK ENGINE	Turbocharged, Single Head	CTP3126352A	Out of Frame OH Gasket Set
					CTP3126352B	Inframe OH Set
					CTP3126352C	Cylinder Head Repl. Gasket Set
	8YL01-UP	179-1193, 179-1194, 179-1195, 179-3868, 179-3915	3126B, TRUCK ENGINE	Turbocharged, Single Head	CTP3126353A	Out of Frame OH Gasket Set
					CTP3126353B	Inframe OH Set
					CTP3126353C	Cylinder Head Repl. Gasket Set
	8YL01-UP	179-3888	3126B, TRUCK ENGINE	Turbocharged, Single Head	CTP3126354A	Out of Frame OH Gasket Set
					CTP3126354B	Inframe OH Set
					CTP3126354C	Cylinder Head Repl. Gasket Set
	8YL01-UP	179-3896	3126B, TRUCK ENGINE	Turbocharged, Single Head	CTP3126355C	Cylinder Head Repl. Gasket Set
	8YL01-UP	179-3897	3126B, TRUCK ENGINE	Turbocharged, Single Head	CTP3126356C	Cylinder Head Repl. Gasket Set
	8YL01-UP	179-3909	3126B, TRUCK ENGINE	Turbocharged, Single Head	CTP3126357A	Out of Frame OH Gasket Set
					CTP3126357B	Inframe OH Set
					CTP3126357C	Cylinder Head Repl. Gasket Set

Prefix	Serial No.	Arrangement	Application	Comments	Part Number	Description
8YL	8YL01-UP	179-3913	3126B, TRUCK ENGINE	Turbocharged, Single Head	CTP3126358C	Cylinder Head Repl. Gasket Set
	8YL01-UP	179-3924, 179-3925	3126B, TRUCK ENGINE	Turbocharged, Single Head	CTP3126359C	Cylinder Head Repl. Gasket Set
	8YL01-UP	179-3976, 185-4825, 185-4828, 185-4832	3126B, TRUCK ENGINE	Turbocharged, Single Head	CTP3126360A	Out of Frame OH Gasket Set
					CTP3126360B	Inframe OH Set
					CTP3126360C	Cylinder Head Repl. Gasket Set
	8YL01-UP	179-4036, 185-5025, 185-5040, 186-1758, 186-1831	3126B, TRUCK ENGINE	Turbocharged, Single Head	CTP3126361A	Out of Frame OH Gasket Set
					CTP3126361B	Inframe OH Set
					CTP3126361C	Cylinder Head Repl. Gasket Set
	8YL01-UP	180-1755	3126B, TRUCK ENGINE	Turbocharged, Single Head	CTP3126362A	Out of Frame OH Gasket Set
					CTP3126362B	Inframe OH Set
					CTP3126362C	Cylinder Head Repl. Gasket Set
	8YL01-UP	180-1865	3126B, TRUCK ENGINE	Turbocharged, Single Head	CTP3126363A	Out of Frame OH Gasket Set
					CTP3126363B	Inframe OH Set
					CTP3126363C	Cylinder Head Repl. Gasket Set
	8YL01-UP	180-2262	3126B, TRUCK ENGINE	Turbocharged, Single Head	CTP3126364A	Out of Frame OH Gasket Set
					CTP3126364B	Inframe OH Set
					CTP3126364C	Cylinder Head Repl. Gasket Set
	8YL01-UP	184-2799, 185-4823, 185-4826, 185-4843, 185-4844	3126B, TRUCK ENGINE	Turbocharged, Single Head	CTP3126365A	Out of Frame OH Gasket Set
					CTP3126365B	Inframe OH Set
					CTP3126365C	Cylinder Head Repl. Gasket Set
	8YL01-UP	184-2800, 187-0043	3126B, TRUCK ENGINE	Turbocharged, Single Head	CTP3126366A	Out of Frame OH Gasket Set
					CTP3126366B	Inframe OH Set
					CTP3126366C	Cylinder Head Repl. Gasket Set
	8YL01-UP	184-2905, 184-2906, 185-4842, 185-4861, 185-5059	3126B, TRUCK ENGINE	Turbocharged, Single Head	CTP3126367A	Out of Frame OH Gasket Set
					CTP3126367B	Inframe OH Set
					CTP3126367C	Cylinder Head Repl. Gasket Set
	8YL01-UP	185-4822, 185-4830, 185-4834, 185-4858	3126B, TRUCK ENGINE	Turbocharged, Single Head	CTP3126368C	Cylinder Head Repl. Gasket Set
	8YL01-UP	185-4827, 185-4831, 185-4841, 185-4845, 185-4855	3126B, TRUCK ENGINE	Turbocharged, Single Head	CTP3126369C	Cylinder Head Repl. Gasket Set
	8YL01-UP	185-4846, 185-4847, 185-4852, 185-4854, 185-4856	3126B, TRUCK ENGINE	Turbocharged, Single Head	CTP3126370A	Out of Frame OH Gasket Set
					CTP3126370B	Inframe OH Set
					CTP3126370C	Cylinder Head Repl. Gasket Set
	8YL01-UP	185-4851, 185-4853	3126B, TRUCK ENGINE	Turbocharged, Single Head	CTP3126371C	Cylinder Head Repl. Gasket Set

Prefix	Serial No.	Arrangement	Application	Comments	Part Number	Description
8YL	8YL01-UP	185-4860	3126B, TRUCK ENGINE	Turbocharged, Single Head	CTP3126372A	Out of Frame OH Gasket Set
					CTP3126372B	Inframe OH Set
					CTP3126372C	Cylinder Head Repl. Gasket Set
	8YL01-UP	185-4862, 185-4864, 187-0395, 187-7977, 188-6657	3126B, TRUCK ENGINE	Turbocharged, Single Head	CTP3126373A	Out of Frame OH Gasket Set
					CTP3126373B	Inframe OH Set
					CTP3126373C	Cylinder Head Repl. Gasket Set
	8YL01-UP	185-5021, 185-5022, 185-5024	3126B, TRUCK ENGINE	Turbocharged, Single Head	CTP3126374A	Out of Frame OH Gasket Set
					CTP3126374B	Inframe OH Set
					CTP3126374C	Cylinder Head Repl. Gasket Set
	8YL01-UP	185-5080, 186-1737, 186-1768, 187-0053, 194-2334	3126B, TRUCK ENGINE	Turbocharged, Single Head	CTP3126375A	Out of Frame OH Gasket Set
					CTP3126375B	Inframe OH Set
					CTP3126375C	Cylinder Head Repl. Gasket Set
	8YL01-UP	185-5081, 186-1735, 186-1739, 186-1755, 186-1832	3126B, TRUCK ENGINE	Turbocharged, Single Head	CTP3126376A	Out of Frame OH Gasket Set
					CTP3126376B	Inframe OH Set
					CTP3126376C	Cylinder Head Repl. Gasket Set
	8YL01-UP	186-1842, 186-1846, 187-0008, 187-7975, 188-6707	3126B, TRUCK ENGINE	Turbocharged, Single Head	CTP3126377A	Out of Frame OH Gasket Set
					CTP3126377B	Inframe OH Set
					CTP3126377C	Cylinder Head Repl. Gasket Set
	8YL01-UP	186-1843, 186-1849, 187-0042, 187-0049, 187-7912	3126B, TRUCK ENGINE	Turbocharged, Single Head	CTP3126378A	Out of Frame OH Gasket Set
					CTP3126378B	Inframe OH Set
					CTP3126378C	Cylinder Head Repl. Gasket Set
	8YL01-UP	186-1859, 187-7898, 187-7902, 187-7908, 187-7910	3126B, TRUCK ENGINE	Turbocharged, Single Head	CTP3126379A	Out of Frame OH Gasket Set
					CTP3126379B	Inframe OH Set
					CTP3126379C	Cylinder Head Repl. Gasket Set
	8YL01-UP	187-0100, 187-0112, 187-0387, 194-2434	3126B, TRUCK ENGINE	Turbocharged, Single Head	CTP3126380A	Out of Frame OH Gasket Set
					CTP3126380B	Inframe OH Set
					CTP3126380C	Cylinder Head Repl. Gasket Set
	8YL01-UP	187-7896, 187-7904, 187-7905, 187-7906, 187-7907	3126B, TRUCK ENGINE	Turbocharged, Single Head	CTP3126381A	Out of Frame OH Gasket Set
					CTP3126381B	Inframe OH Set
					CTP3126381C	Cylinder Head Repl. Gasket Set
	8YL01-UP	187-7920, 188-6960, 191-4312, 192-9629, 194-2366	3126B, TRUCK ENGINE	Turbocharged, Single Head	CTP3126382A	Out of Frame OH Gasket Set
					CTP3126382B	Inframe OH Set
					CTP3126382C	Cylinder Head Repl. Gasket Set
	8YL01-UP	187-7922, 187-7943, 187-7976, 187-7983, 187-7984	3126B, TRUCK ENGINE	Turbocharged, Single Head	CTP3126383A	Out of Frame OH Gasket Set
					CTP3126383B	Inframe OH Set
					CTP3126383C	Cylinder Head Repl. Gasket Set

Prefix	Serial No.	Arrangement	Application	Comments	Part Number	Description
8YL	8YL01-UP	187-7973, 188-6877	3126B, TRUCK ENGINE	Turbocharged, Single Head	CTP3126384A	Out of Frame OH Gasket Set
					CTP3126384B	Inframe OH Set
					CTP3126384C	Cylinder Head Repl. Gasket Set
	8YL01-UP	187-7974, 187-7978, 187-7979, 187-7982, 187-7988	3126B, TRUCK ENGINE	Turbocharged, Single Head	CTP3126385A	Out of Frame OH Gasket Set
					CTP3126385B	Inframe OH Set
					CTP3126385C	Cylinder Head Repl. Gasket Set
	8YL01-UP	187-7985, 187-7987, 187-7992, 188-6620, 188-6637	3126B, TRUCK ENGINE	Turbocharged, Single Head	CTP3126386A	Out of Frame OH Gasket Set
					CTP3126386B	Inframe OH Set
					CTP3126386C	Cylinder Head Repl. Gasket Set
	8YL01-UP	187-7990, 188-6639, 188-6640, 188-6641, 188-6644	3126B, TRUCK ENGINE	Turbocharged, Single Head	CTP3126387A	Out of Frame OH Gasket Set
					CTP3126387B	Inframe OH Set
					CTP3126387C	Cylinder Head Repl. Gasket Set
	8YL01-UP	188-6611, 188-6642, 191-4164, 194-2365, 198-3506	3126B, TRUCK ENGINE	Turbocharged, Single Head	CTP3126388A	Out of Frame OH Gasket Set
					CTP3126388B	Inframe OH Set
					CTP3126388C	Cylinder Head Repl. Gasket Set
	8YL01-UP	188-6622, 194-2407	3126B, TRUCK ENGINE	Turbocharged, Single Head	CTP3126389A	Out of Frame OH Gasket Set
					CTP3126389B	Inframe OH Set
					CTP3126389C	Cylinder Head Repl. Gasket Set
	8YL01-UP	188-6638, 188-6643, 188-6756, 188-6866, 188-6869	3126B, TRUCK ENGINE	Turbocharged, Single Head	CTP3126390A	Out of Frame OH Gasket Set
					CTP3126390B	Inframe OH Set
					CTP3126390C	Cylinder Head Repl. Gasket Set
	8YL01-UP	188-6647, 189-9601, 194-2339	3126B, TRUCK ENGINE	Turbocharged, Single Head	CTP3126391A	Out of Frame OH Gasket Set
					CTP3126391B	Inframe OH Set
					CTP3126391C	Cylinder Head Repl. Gasket Set
	8YL01-UP	188-6659	3126B, TRUCK ENGINE	Turbocharged, Single Head	CTP3126392A	Out of Frame OH Gasket Set
					CTP3126392B	Inframe OH Set
					CTP3126392C	Cylinder Head Repl. Gasket Set
	8YL01-UP	188-6750, 194-2354, 194-2355, 194-2394, 194-2427	3126B, TRUCK ENGINE	Turbocharged, Single Head	CTP3126393A	Out of Frame OH Gasket Set
					CTP3126393B	Inframe OH Set
					CTP3126393C	Cylinder Head Repl. Gasket Set
	8YL01-UP	188-6870, 194-2315, 197-1183, 197-1190, 197-1192	3126B, TRUCK ENGINE	Turbocharged, Single Head	CTP3126394A	Out of Frame OH Gasket Set
					CTP3126394B	Inframe OH Set
					CTP3126394C	Cylinder Head Repl. Gasket Set
	8YL01-UP	188-6871, 188-6872, 188-6873, 188-6901, 192-9334	3126B, TRUCK ENGINE	Turbocharged, Single Head	CTP3126395A	Out of Frame OH Gasket Set
					CTP3126395B	Inframe OH Set
					CTP3126395C	Cylinder Head Repl. Gasket Set

Prefix	Serial No.	Arrangement	Application	Comments	Part Number	Description
8YL	8YL01-UP	188-6976	3126B, TRUCK ENGINE	Turbocharged, Single Head	CTP3126396A	Out of Frame OH Gasket Set
					CTP3126396B	Inframe OH Set
					CTP3126396C	Cylinder Head Repl. Gasket Set
	8YL01-UP	191-4046	3126B, TRUCK ENGINE	Turbocharged, Single Head	CTP3126397A	Out of Frame OH Gasket Set
					CTP3126397B	Inframe OH Set
					CTP3126397C	Cylinder Head Repl. Gasket Set
	8YL01-UP	191-4047, 191-4239, 191-4362, 192-9654, 202-9503	3126B, TRUCK ENGINE	Turbocharged, Single Head	CTP3126398A	Out of Frame OH Gasket Set
					CTP3126398B	Inframe OH Set
					CTP3126398C	Cylinder Head Repl. Gasket Set
	8YL01-UP	192-9548, 195-4263, 195-4264	3126B, TRUCK ENGINE	Turbocharged, Single Head	CTP3126399A	Out of Frame OH Gasket Set
					CTP3126399B	Inframe OH Set
					CTP3126399C	Cylinder Head Repl. Gasket Set
	8YL01-UP	194-2288, 194-2312, 194-2313, 194-2314, 194-2327	3126B, TRUCK ENGINE	Turbocharged, Single Head	CTP3126400A	Out of Frame OH Gasket Set
					CTP3126400B	Inframe OH Set
					CTP3126400C	Cylinder Head Repl. Gasket Set
	8YL01-UP	194-2328, 194-2415, 195-4099, 197-1120, 197-1130	3126B, TRUCK ENGINE	Turbocharged, Single Head	CTP3126401A	Out of Frame OH Gasket Set
					CTP3126401B	Inframe OH Set
					CTP3126401C	Cylinder Head Repl. Gasket Set
	8YL01-UP	194-2359, 195-4261	3126B, TRUCK ENGINE	Turbocharged, Single Head	CTP3126402A	Out of Frame OH Gasket Set
					CTP3126402B	Inframe OH Set
					CTP3126402C	Cylinder Head Repl. Gasket Set
	8YL01-UP	194-2412	3126B, TRUCK ENGINE	Turbocharged, Single Head	CTP3126403A	Out of Frame OH Gasket Set
					CTP3126403B	Inframe OH Set
					CTP3126403C	Cylinder Head Repl. Gasket Set
	8YL01-UP	194-2413	3126B, TRUCK ENGINE	Turbocharged, Single Head	CTP3126404A	Out of Frame OH Gasket Set
					CTP3126404B	Inframe OH Set
					CTP3126404C	Cylinder Head Repl. Gasket Set
	8YL01-UP	195-4015, 195-4197, 195-4383, 197-1079	3126B, TRUCK ENGINE	Turbocharged, Single Head	CTP3126405A	Out of Frame OH Gasket Set
					CTP3126405B	Inframe OH Set
					CTP3126405C	Cylinder Head Repl. Gasket Set
	8YL01-UP	195-4127	3126B, TRUCK ENGINE	Turbocharged, Single Head	CTP3126407A	Out of Frame OH Gasket Set
					CTP3126407B	Inframe OH Set
					CTP3126407C	Cylinder Head Repl. Gasket Set
	8YL01-UP	195-4129, 195-4168	3126B, TRUCK ENGINE	Turbocharged, Single Head	CTP3126408A	Out of Frame OH Gasket Set
					CTP3126408B	Inframe OH Set
					CTP3126408C	Cylinder Head Repl. Gasket Set
	8YL01-UP	195-4139	3126B, TRUCK ENGINE	Turbocharged, Single Head	CTP3126409C	Cylinder Head Repl. Gasket Set

Prefix	Serial No.	Arrangement	Application	Comments	Part Number	Description
8YL	8YL01-UP	195-4147, 195-4151	3126B, TRUCK ENGINE	Turbocharged, Single Head	CTP3126410C	Cylinder Head Repl. Gasket Set
	8YL01-UP	195-4260	3126B, TRUCK ENGINE	Turbocharged, Single Head	CTP3126412A	Out of Frame OH Gasket Set
					CTP3126412B	Inframe OH Set
					CTP3126412C	Cylinder Head Repl. Gasket Set
	8YL01-UP	195-4262, 195-4266, 195-4267, 195-4268, 195-4310	3126B, TRUCK ENGINE	Turbocharged, Single Head	CTP3126413C	Cylinder Head Repl. Gasket Set
	8YL01-UP	195-4264	3126B, TRUCK ENGINE	Turbocharged, Single Head	CTP3126414A	Out of Frame OH Gasket Set
					CTP3126414B	Inframe OH Set
					CTP3126414C	Cylinder Head Repl. Gasket Set
	8YL01-UP	195-4289	3126B, TRUCK ENGINE	Turbocharged, Single Head	CTP3126415A	Out of Frame OH Gasket Set
					CTP3126415B	Inframe OH Set
					CTP3126415C	Cylinder Head Repl. Gasket Set
	8YL01-UP	195-4309, 195-4313	3126B, TRUCK ENGINE	Turbocharged, Single Head	CTP3126416C	Cylinder Head Repl. Gasket Set
	8YL01-UP	197-1129, 197-1206, 197-1225	3126B, TRUCK ENGINE	Turbocharged, Single Head	CTP3126417A	Out of Frame OH Gasket Set
					CTP3126417B	Inframe OH Set
					CTP3126417C	Cylinder Head Repl. Gasket Set
	8YL01-UP	197-1131, 197-1132, 197-1136, 197-1172, 197-1182	3126B, TRUCK ENGINE	Turbocharged, Single Head	CTP3126418A	Out of Frame OH Gasket Set
					CTP3126418B	Inframe OH Set
					CTP3126418C	Cylinder Head Repl. Gasket Set
	8YL01-UP	197-1144, 197-1151, 197-1152, 197-1153, 197-1233	3126B, TRUCK ENGINE	Turbocharged, Single Head	CTP3126419A	Out of Frame OH Gasket Set
					CTP3126419B	Inframe OH Set
					CTP3126419C	Cylinder Head Repl. Gasket Set
	8YL01-UP	197-1161	3126B, TRUCK ENGINE	Turbocharged, Single Head	CTP3126420A	Out of Frame OH Gasket Set
					CTP3126420B	Inframe OH Set
					CTP3126420C	Cylinder Head Repl. Gasket Set
	8YL01-UP	197-1184, 197-1194, 197-1195, 197-1205, 197-1212	3126B, TRUCK ENGINE	Turbocharged, Single Head	CTP3126421A	Out of Frame OH Gasket Set
					CTP3126421B	Inframe OH Set
					CTP3126421C	Cylinder Head Repl. Gasket Set
	8YL01-UP	197-1215, 197-1216, 197-1222, 197-1223	3126B, TRUCK ENGINE	Turbocharged, Single Head	CTP3126422A	Out of Frame OH Gasket Set
					CTP3126422B	Inframe OH Set
					CTP3126422C	Cylinder Head Repl. Gasket Set
	8YL01-UP	197-1234, 197-1235, 197-1236, 197-1240, 197-1295	3126B, TRUCK ENGINE	Turbocharged, Single Head	CTP3126423A	Out of Frame OH Gasket Set
					CTP3126423B	Inframe OH Set
					CTP3126423C	Cylinder Head Repl. Gasket Set



Prefix	Serial No.	Arrangement	Application	Comments	Part Number	Description
8YL	8YL01-UP	197-1241	3126B, TRUCK ENGINE	Turbocharged, Single Head	CTP3126424A	Out of Frame OH Gasket Set
					CTP3126424B	Inframe OH Set
					CTP3126424C	Cylinder Head Repl. Gasket Set
	8YL01-UP	197-1253, 198-3571	3126B, TRUCK ENGINE	Turbocharged, Single Head	CTP3126425A	Out of Frame OH Gasket Set
					CTP3126425B	Inframe OH Set
					CTP3126425C	Cylinder Head Repl. Gasket Set
	8YL01-UP	198-3504, 198-3564	3126B, TRUCK ENGINE	Turbocharged, Single Head	CTP3126426A	Out of Frame OH Gasket Set
					CTP3126426B	Inframe OH Set
					CTP3126426C	Cylinder Head Repl. Gasket Set
	8YL01-UP	198-3572	3126B, TRUCK ENGINE	Turbocharged, Single Head	CTP3126427C	Cylinder Head Repl. Gasket Set
	8YL01-UP	198-3574	3126B, TRUCK ENGINE	Turbocharged, Single Head	CTP3126428A	Out of Frame OH Gasket Set
					CTP3126428B	Inframe OH Set
					CTP3126428C	Cylinder Head Repl. Gasket Set
	8YL01-UP	199-8563	3126B, TRUCK ENGINE	Turbocharged, Single Head	CTP3126429C	Cylinder Head Repl. Gasket Set
	8YL01-UP	202-9327	3126B, TRUCK ENGINE	Turbocharged, Single Head	CTP3126430A	Out of Frame OH Gasket Set
					CTP3126430B	Inframe OH Set
					CTP3126430C	Cylinder Head Repl. Gasket Set
	9ZF	9ZF01-UP	184-7419	3126E MARINE	Turbocharged, Single Head	CTP3126569A
CTP3126569B						Inframe OH Set
CTP3126569C						Cylinder Head Repl. Gasket Set
9ZR03822-UP		132-4383, 132-4388, 132-4384, 139-3317, 132-4385, 188-3544, 132-4386, 224-5571, 132-4387, 234-9461	INDUSTRIAL	Turbocharged, Single Head	CTP3126002A	Out of Frame OH Gasket Set
				CTP3126002B	Inframe OH Set	
				CTP3126002C	Cylinder Head Repl. Gasket Set	
BEJ	BEJ01-UP	198-3457, 205-3735, 219-5857, 239-7355, 243-5129, 203-7096, 208-2839, 235-8170, 198-3458, 212-2271, 236-6994, 239-7357, 245-1803, 253-9434, 214-3554, 241-6920, 205-3734, 212-2272, 239-7354, 243-5127, 254-0282, 203-7097, 235-8169, 215-1516, 243-5128, 208-2838,	INDUSTRIAL 3126B, 938G II	Turbocharged, Single Head	CTP3126003A	Out of Frame OH Gasket Set
					CTP3126003B	Inframe OH Set
					CTP3126003C	Cylinder Head Repl. Gasket Set

Prefix	Serial No.	Arrangement	Application	Comments	Part Number	Description
BEJ	BEJ01-UP	198-3461, 293-3826, 237-0771, 195-3336, 198-3455, 198-3456	INDUSTRIAL 3126B, 938G II	Turbocharged, Single Head	CTP3126003A	Out of Frame OH Gasket Set
					CTP3126003B	Inframe OH Set
					CTP3126003C	Cylinder Head Repl. Gasket Set
BFE	BFE01-UP	159-3458	325C	Turbocharged, Single Head	CTP3126557A	Out of Frame OH Gasket Set
					CTP3126557B	Inframe OH Set
					CTP3126557C	Cylinder Head Repl. Gasket Set
	BFE01-UP	201-4205	325C	Turbocharged, Single Head	CTP3126558A	Out of Frame OH Gasket Set
				CTP3126558B	Inframe OH Set	
				CTP3126558C	Cylinder Head Repl. Gasket Set	
BKD	BKD01-UP	205-2549	3126B, TRUCK ENGINE	Turbocharged, Single Head	CTP3126433C	Cylinder Head Repl. Gasket Set
	BKD01-UP	210-4243, 221-7598	3126B, TRUCK ENGINE	Turbocharged, Single Head	CTP3126431A	Out of Frame OH Gasket Set
					CTP3126431B	Inframe OH Set
					CTP3126431C	Cylinder Head Repl. Gasket Set
	BKD01-UP	221-7596	3126B, TRUCK ENGINE	Turbocharged, Single Head	CTP3126432A	Out of Frame OH Gasket Set
CTP3126432B					Inframe OH Set	
				CTP3126432C	Cylinder Head Repl. Gasket Set	
BMA	BMA01-UP	169-9096	963C TRACK-TYPE LOADER TIER II	Turbocharged, Single Head	CTP3126567A	Out of Frame OH Gasket Set
					CTP3126567B	Inframe OH Set
					CTP3126567C	Cylinder Head Repl. Gasket Set
	BMA01-UP	171-7613	953C TRACK-TYPE LOADER	Turbocharged, Single Head	CTP3126566A	Out of Frame OH Gasket Set
					CTP3126566B	Inframe OH Set
					CTP3126566C	Cylinder Head Repl. Gasket Set
	BMA01-UP	188-2033	D5N XL, LGP TRACK-TYPE TRACTOR	Turbocharged, Single Head	CTP3126012A	Out of Frame OH Gasket Set
					CTP3126012B	Inframe OH Set
					CTP3126012C	Cylinder Head Repl. Gasket Set
	BMA01-UP	188-6123, 232-3135, 235-4131	322C / 325/ 325C/ 325D/ M325C	Turbocharged, Single Head	CTP3126561A	Out of Frame OH Gasket Set
CTP3126561B					Inframe OH Set	
CTP3126561C					Cylinder Head Repl. Gasket Set	
BMA01-UP	191-4479	D6N XL, D/S, FTC; LGP TRACK-TYPE TRACTOR	Turbocharged, Single Head	CTP3126013A	Out of Frame OH Gasket Set	
				CTP3126013B	Inframe OH Set	
				CTP3126013C	Cylinder Head Repl. Gasket Set	
BMA01-UP	191-4481	561N PIPELAYER, D5N / D6N	Turbocharged, Single Head	CTP3126563A	Out of Frame OH Gasket Set	
				CTP3126563B	Inframe OH Set	
				CTP3126563C	Cylinder Head Repl. Gasket Set	
BMA01-UP	198-5914	938G II , IT38G II, WHEEL LOADER & INTEGRATED, TOOL CARRIER	Turbocharged, Single Head	CTP3126010A	Out of Frame OH Gasket Set	
				CTP3126010B	Inframe OH Set	
				CTP3126010C	Cylinder Head Repl. Gasket Set	

Prefix	Serial No.	Arrangement	Application	Comments	Part Number	Description
BMA	BMA01-UP	201-9065, 188-2035, 306-8036	561N PIPELAYER, D5N / D6N	Turbocharged, Single Head	CTP3126564A	Out of Frame OH Gasket Set
					CTP3126564B	Inframe OH Set
					CTP3126564C	Cylinder Head Repl. Gasket Set
	BMA01-UP	234-2918	325C	Turbocharged, Single Head	CTP3126559A	Out of Frame OH Gasket Set
					CTP3126559B	Inframe OH Set
					CTP3126559C	Cylinder Head Repl. Gasket Set
	BMA01-UP	242-0064, 242-2596	325/ 625C/325C	Turbocharged, Single Head	CTP3126562A	Out of Frame OH Gasket Set
					CTP3126562B	Inframe OH Set
					CTP3126562C	Cylinder Head Repl. Gasket Set
	BMA01-UP	283-1633	938G II WHEEL LOADER, IT38G II INTEGRATED TOOL CARRIER	Turbocharged, Single Head	CTP3126565A	Out of Frame OH Gasket Set
					CTP3126565B	Inframe OH Set
					CTP3126565C	Cylinder Head Repl. Gasket Set
	BMA01-UP	290-1440	963C TRACK-TYPE LOADER TIER II	Turbocharged, Single Head	CTP3126568A	Out of Frame OH Gasket Set
					CTP3126568B	Inframe OH Set
					CTP3126568C	Cylinder Head Repl. Gasket Set
	BMA01-UP	295-0517	120H MOTOR GRADER	Turbocharged, Single Head	CTP3126560A	Out of Frame OH Gasket Set
					CTP3126560B	Inframe OH Set
					CTP3126560C	Cylinder Head Repl. Gasket Set
CKM	CKM01-UP	199-8652, 199-8663, 199-8748, 199-8880, 201-6295, 201-6300, 202-9576, 205-2496, 210-4293, 225-2130	3126E	Turbocharged, Single Head	CTP3126556A	Out of Frame OH Gasket Set
					CTP3126556B	Inframe OH Set
					CTP3126556C	Cylinder Head Repl. Gasket Set
CRP	CRP01-UP	206-8260	3126E, TRUCK ENGINE	Turbocharged, Single Head	CTP3126434A	Out of Frame OH Gasket Set
					CTP3126434B	Inframe OH Set
					CTP3126434C	Cylinder Head Repl. Gasket Set
	CRP01-UP	212-9238	3126E, TRUCK ENGINE	Turbocharged, Single Head	CTP3126435A	Out of Frame OH Gasket Set
					CTP3126435B	Inframe OH Set
					CTP3126435C	Cylinder Head Repl. Gasket Set
CSW	CSW01-UP	234-2918	325C	Turbocharged, Single Head	CTP3126559A	Out of Frame OH Gasket Set
					CTP3126559B	Inframe OH Set
					CTP3126559C	Cylinder Head Repl. Gasket Set
DPF	DPF01-UP	220-7755	3126E, TRUCK ENGINE	Turbocharged, Single Head	CTP3126436C	Cylinder Head Repl. Gasket Set
G3E	G3E1UP	233-2160	3126E, TRUCK ENGINE	Turbocharged, Single Head	CTP3126437A	Out of Frame OH Gasket Set
					CTP3126437B	Inframe OH Set
					CTP3126437C	Cylinder Head Repl. Gasket Set

Prefix	Serial No.	Arrangement	Application	Comments	Part Number	Description
G3E	G3E1UP	254-5878	3126E, TRUCK ENGINE	Turbocharged, Single Head	CTP3126438A	Out of Frame OH Gasket Set
					CTP3126438B	Inframe OH Set
					CTP3126438C	Cylinder Head Repl. Gasket Set
	G3E1UP	262-3649	3126E, TRUCK ENGINE	Turbocharged, Single Head	CTP3126439A	Out of Frame OH Gasket Set
					CTP3126439B	Inframe OH Set
					CTP3126439C	Cylinder Head Repl. Gasket Set
	G3E1UP	276-3429	3126E, TRUCK ENGINE	Turbocharged, Single Head	CTP3126440A	Out of Frame OH Gasket Set
					CTP3126440B	Inframe OH Set
					CTP3126440C	Cylinder Head Repl. Gasket Set
	G3E1UP	283-6603	3126E, TRUCK ENGINE	Turbocharged, Single Head	CTP3126441A	Out of Frame OH Gasket Set
					CTP3126441B	Inframe OH Set
					CTP3126441C	Cylinder Head Repl. Gasket Set
G3E1UP	288-8591	3126E, TRUCK ENGINE	Turbocharged, Single Head	CTP3126442A	Out of Frame OH Gasket Set	
				CTP3126442B	Inframe OH Set	
				CTP3126442C	Cylinder Head Repl. Gasket Set	
HEP01-UP	222-9687	3126E, TRUCK ENGINE	Turbocharged, Single Head	CTP3126444C	Cylinder Head Repl. Gasket Set	
HEP01-UP	222-9688, 225-2040, 225-2042, 225-2043, 225-2044,, 225-2045	3126E, TRUCK ENGINE	Turbocharged, Single Head	CTP3126445A	Out of Frame OH Gasket Set	
				CTP3126445B	Inframe OH Set	
				CTP3126445C	Cylinder Head Repl. Gasket Set	
HEP01-UP	224-0406, 224-0444	3126E, TRUCK ENGINE	Turbocharged, Single Head	CTP3126446A	Out of Frame OH Gasket Set	
				CTP3126446B	Inframe OH Set	
				CTP3126446C	Cylinder Head Repl. Gasket Set	
HEP01-UP	224-0635	3126E, TRUCK ENGINE	Turbocharged, Single Head	CTP3126447A	Out of Frame OH Gasket Set	
				CTP3126447B	Inframe OH Set	
				CTP3126447D	Cylinder Head Repl. Gasket Set	
HEP01-UP	224-7882	3126E, TRUCK ENGINE	Turbocharged, Single Head	CTP3126448A	Out of Frame OH Gasket Set	
				CTP3126448B	Inframe OH Set	
				CTP3126448C	Cylinder Head Repl. Gasket Set	
HEP01-UP	224-7931, 228-1264	3126E, TRUCK ENGINE	Turbocharged, Single Head	CTP3126449A	Out of Frame OH Gasket Set	
				CTP3126449B	Inframe OH Set	
				CTP3126449C	Cylinder Head Repl. Gasket Set	
HEP01-UP	224-7981, 224-7983, 224-7984, 224-7988	3126E, TRUCK ENGINE	Turbocharged, Single Head	CTP3126450A	Out of Frame OH Gasket Set	
				CTP3126450B	Inframe OH Set	
				CTP3126450C	Cylinder Head Repl. Gasket Set	
HEP01-UP	224-7992, 224-7998	3126E, TRUCK ENGINE	Turbocharged, Single Head	CTP3126451A	Out of Frame OH Gasket Set	
				CTP3126451B	Inframe OH Set	
				CTP3126451C	Cylinder Head Repl. Gasket Set	

Prefix	Serial No.	Arrangement	Application	Comments	Part Number	Description
HEP	HEP01-UP	224-7993, 224-7995	3126E, TRUCK ENGINE	Turbocharged, Single Head	CTP3126452A	Out of Frame OH Gasket Set
					CTP3126452B	Inframe OH Set
					CTP3126452C	Cylinder Head Repl. Gasket Set
	HEP01-UP	224-7997, 224-8003	3126E, TRUCK ENGINE	Turbocharged, Single Head	CTP3126453A	Out of Frame OH Gasket Set
					CTP3426453B	Inframe OH Set
					CTP3426453C	Cylinder Head Repl. Gasket Set
	HEP01-UP	224-8001, 229-4757	3126E, TRUCK ENGINE	Turbocharged, Single Head	CTP3126454A	Out of Frame OH Gasket Set
					CTP3126454B	Inframe OH Set
					CTP3126454C	Cylinder Head Repl. Gasket Set
	HEP01-UP	225-2041, 225-2104, 225-2105, 225-2179, 225-2189, 225-2212	3126E, TRUCK ENGINE	Turbocharged, Single Head	CTP3126455A	Out of Frame OH Gasket Set
					CTP3126455B	Inframe OH Set
					CTP3126455C	Cylinder Head Repl. Gasket Set
	HEP01-UP	225-2048, 225-2080, 225-2081, 225-2169, 225-9785, 225-9822	3126E, TRUCK ENGINE	Turbocharged, Single Head	CTP3126456A	Out of Frame OH Gasket Set
					CTP3126456B	Inframe OH Set
					CTP3126456C	Cylinder Head Repl. Gasket Set
	HEP01-UP	225-2078, 225-2171, 225-2174, 225-2175, 225-2177, 226-7057	3126E, TRUCK ENGINE	Turbocharged, Single Head	CTP3126457A	Out of Frame OH Gasket Set
					CTP3126457B	Inframe OH Set
					CTP3126457C	Cylinder Head Repl. Gasket Set
	HEP01-UP	225-2083, 225-2101, 225-2196, 225-2199, 225-2202, 225-2215	3126E, TRUCK ENGINE	Turbocharged, Single Head	CTP3126458A	Out of Frame OH Gasket Set
					CTP3126458B	Inframe OH Set
					CTP3126458C	Cylinder Head Repl. Gasket Set
	HEP01-UP	225-2084	3126E, TRUCK ENGINE	Turbocharged, Single Head	CTP3126459A	Out of Frame OH Gasket Set
					CTP3126459B	Inframe OH Set
					CTP3126459C	Cylinder Head Repl. Gasket Set
	HEP01-UP	225-2085	3126E, TRUCK ENGINE	Turbocharged, Single Head	CTP3126460A	Out of Frame OH Gasket Set
					CTP3126460B	Inframe OH Set
					CTP3126460C	Cylinder Head Repl. Gasket Set
	HEP01-UP	225-2182, 225-2187, 225-2201, 225-2204, 225-9731, 225-9738	3126E, TRUCK ENGINE	Turbocharged, Single Head	CTP3126461A	Out of Frame OH Gasket Set
					CTP3126461B	Inframe OH Set
					CTP3126461C	Cylinder Head Repl. Gasket Set
	HEP01-UP	225-2176, 225-2194, 225-2217, 225-9814	3126E, TRUCK ENGINE	Turbocharged, Single Head	CTP3126462A	Out of Frame OH Gasket Set
					CTP3126462B	Inframe OH Set
					CTP3126462C	Cylinder Head Repl. Gasket Set
	HEP01-UP	225-2184, 225-9821, 225-9831, 226-6898	3126E, TRUCK ENGINE	Turbocharged, Single Head	CTP3126463A	Out of Frame OH Gasket Set
					CTP3126463B	Inframe OH Set
					CTP3126463C	Cylinder Head Repl. Gasket Set

Prefix	Serial No.	Arrangement	Application	Comments	Part Number	Description
HEP	HEP01-UP	225-2188, 225-9744, 225-9782, 225-9783, 225-9806, 230-8466	3126E, TRUCK ENGINE	Turbocharged, Single Head	CTP3126464A	Out of Frame OH Gasket Set
					CTP3126464B	Inframe OH Set
					CTP3126464C	Cylinder Head Repl. Gasket Set
	HEP01-UP	225-2167, 225-2173	3126E, TRUCK ENGINE	Turbocharged, Single Head	CTP3126465A	Out of Frame OH Gasket Set
					CTP3126465B	Inframe OH Set
					CTP3126465C	Cylinder Head Repl. Gasket Set
	HEP01-UP	225-2195	3126E, TRUCK ENGINE	Turbocharged, Single Head	CTP3126466A	Out of Frame OH Gasket Set
					CTP3126466B	Inframe OH Set
					CTP3126466C	Cylinder Head Repl. Gasket Set
	HEP01-UP	225-2197, 226-0014, 226-6877, 229-4497, 230-1738	3126E, TRUCK ENGINE	Turbocharged, Single Head	CTP3126467A	Out of Frame OH Gasket Set
					CTP3126467B	Inframe OH Set
					CTP3126467C	Cylinder Head Repl. Gasket Set
	HEP01-UP	225-2206, 239-4563	3126E, TRUCK ENGINE	Turbocharged, Single Head	CTP3126468A	Out of Frame OH Gasket Set
					CTP3126468B	Inframe OH Set
					CTP3126468C	Cylinder Head Repl. Gasket Set
	HEP01-UP	225-2214, 225-9736, 225-9798	3126E, TRUCK ENGINE	Turbocharged, Single Head	CTP3126469A	Out of Frame OH Gasket Set
					CTP3126469B	Inframe OH Set
					CTP3126469C	Cylinder Head Repl. Gasket Set
	HEP01-UP	225-2221	3126E, TRUCK ENGINE	Turbocharged, Single Head	CTP3126470A	Out of Frame OH Gasket Set
					CTP3126470B	Inframe OH Set
					CTP3126470C	Cylinder Head Repl. Gasket Set
	HEP01-UP	225-9732, 225-9741, 225-9787, 226-7056, 239-4563	3126E, TRUCK ENGINE	Turbocharged, Single Head	CTP3126471A	Out of Frame OH Gasket Set
					CTP3126471B	Inframe OH Set
					CTP3126471C	Cylinder Head Repl. Gasket Set
	HEP01-UP	225-9777, 230-8447, 230-8609	3126E, TRUCK ENGINE	Turbocharged, Single Head	CTP3126472A	Out of Frame OH Gasket Set
					CTP3126472B	Inframe OH Set
					CTP3126472C	Cylinder Head Repl. Gasket Set
	HEP01-UP	225-9791	3126E, TRUCK ENGINE	Turbocharged, Single Head	CTP3126473A	Out of Frame OH Gasket Set
					CTP3126473B	Inframe OH Set
					CTP3126473C	Cylinder Head Repl. Gasket Set
	HEP01-UP	225-9809	3126E, TRUCK ENGINE	Turbocharged, Single Head	CTP3126474A	Out of Frame OH Gasket Set
					CTP3126474B	Inframe OH Set
					CTP3126474C	Cylinder Head Repl. Gasket Set
	HEP01-UP	225-9839, 225-9961, 226-7045	3126E, TRUCK ENGINE	Turbocharged, Single Head	CTP3126475A	Out of Frame OH Gasket Set
					CTP3126475B	Inframe OH Set
					CTP3126475C	Cylinder Head Repl. Gasket Set

Prefix	Serial No.	Arrangement	Application	Comments	Part Number	Description
HEP	HEP01-UP	225-9834	3126E, TRUCK ENGINE	Turbocharged, Single Head	CTP3126489A	Out of Frame OH Gasket Set
					CTP3126489B	Inframe OH Set
					CTP3126489C	Cylinder Head Repl. Gasket Set
	HEP01-UP	225-9964	3126E, TRUCK ENGINE	Turbocharged, Single Head	CTP3126476A	Out of Frame OH Gasket Set
					CTP3126476B	Inframe OH Set
					CTP3126476C	Cylinder Head Repl. Gasket Set
	HEP01-UP	225-9972	3126E, TRUCK ENGINE	Turbocharged, Single Head	CTP3126477A	Out of Frame OH Gasket Set
					CTP3126477B	Inframe OH Set
					CTP3126477C	Cylinder Head Repl. Gasket Set
	HEP01-UP	225-9981, 226-0006	3126E, TRUCK ENGINE	Turbocharged, Single Head	CTP3126478A	Out of Frame OH Gasket Set
					CTP3126478B	Inframe OH Set
					CTP3126478C	Cylinder Head Repl. Gasket Set
	HEP01-UP	225-9997	3126E, TRUCK ENGINE	Turbocharged, Single Head	CTP3126479A	Out of Frame OH Gasket Set
					CTP3126479B	Inframe OH Set
					CTP3126479C	Cylinder Head Repl. Gasket Set
	HEP01-UP	226-6836, 226-6980, 226-6984, 226-6985, 226-6986, 226-6987	3126E, TRUCK ENGINE	Turbocharged, Single Head	CTP3126480A	Out of Frame OH Gasket Set
					CTP3126480B	Inframe OH Set
					CTP3126480C	Cylinder Head Repl. Gasket Set
	HEP01-UP	226-6884	3126E, TRUCK ENGINE	Turbocharged, Single Head	CTP3126481A	Out of Frame OH Gasket Set
					CTP3126481B	Inframe OH Set
					CTP3126481C	Cylinder Head Repl. Gasket Set
	HEP01-UP	226-6911, 232-5496	3126E, TRUCK ENGINE	Turbocharged, Single Head	CTP3126482A	Out of Frame OH Gasket Set
					CTP3126482B	Inframe OH Set
					CTP3126482C	Cylinder Head Repl. Gasket Set
	HEP01-UP	226-6966	3126E, TRUCK ENGINE	Turbocharged, Single Head	CTP3126483A	Out of Frame OH Gasket Set
					CTP3126483B	Inframe OH Set
					CTP3126483C	Cylinder Head Repl. Gasket Set
	HEP01-UP	226-7048	3126E, TRUCK ENGINE	Turbocharged, Single Head	CTP3126484A	Out of Frame OH Gasket Set
					CTP3126484B	Inframe OH Set
					CTP3126484C	Cylinder Head Repl. Gasket Set
	HEP01-UP	226-7050, 226-7083	3126E, TRUCK ENGINE	Turbocharged, Single Head	CTP3126485A	Out of Frame OH Gasket Set
					CTP3126485B	Inframe OH Set
					CTP3126485C	Cylinder Head Repl. Gasket Set
	HEP01-UP	226-7052, 226-7092, 233-8904	3126E, TRUCK ENGINE	Turbocharged, Single Head	CTP3126486A	Out of Frame OH Gasket Set
					CTP3126486B	Inframe OH Set
					CTP3126486C	Cylinder Head Repl. Gasket Set

Prefix	Serial No.	Arrangement	Application	Comments	Part Number	Description
HEP	HEP01-UP	226-7054	3126E, TRUCK ENGINE	Turbocharged, Single Head	CTP3126487A	Out of Frame OH Gasket Set
					CTP3126487B	Inframe OH Set
					CTP3126487C	Cylinder Head Repl. Gasket Set
	HEP01-UP	228-1089, 228-1090, 228-1126, 228-1127, 228-1128, 228-1130	3126E, TRUCK ENGINE	Turbocharged, Single Head	CTP3126488A	Out of Frame OH Gasket Set
					CTP3126488B	Inframe OH Set
					CTP3126488C	Cylinder Head Repl. Gasket Set
	HEP01-UP	228-1091, 228-1125, 228-1248, 229-4489, 230-1754, 230-1755	3126E, TRUCK ENGINE	Turbocharged, Single Head	CTP3126490A	Out of Frame OH Gasket Set
					CTP3126490B	Inframe OH Set
					CTP3126490C	Cylinder Head Repl. Gasket Set
	HEP01-UP	228-1131, 228-1134, 228-1213, 228-1214, 228-1222, 228-1249	3126E, TRUCK ENGINE	Turbocharged, Single Head	CTP3126491A	Out of Frame OH Gasket Set
					CTP3126491B	Inframe OH Set
					CTP3126491C	Cylinder Head Repl. Gasket Set
	HEP01-UP	228-1133	3126E, TRUCK ENGINE	Turbocharged, Single Head	CTP3126492A	Out of Frame OH Gasket Set
					CTP3126492B	Inframe OH Set
					CTP3126492C	Cylinder Head Repl. Gasket Set
	HEP01-UP	228-1145	3126E, TRUCK ENGINE	Turbocharged, Single Head	CTP3126493A	Out of Frame OH Gasket Set
					CTP3126493B	Inframe OH Set
					CTP3126493C	Cylinder Head Repl. Gasket Set
	HEP01-UP	228-1185	3126E, TRUCK ENGINE	Turbocharged, Single Head	CTP3126494A	Out of Frame OH Gasket Set
					CTP3126494B	Inframe OH Set
					CTP3126494C	Cylinder Head Repl. Gasket Set
	HEP01-UP	228-1234	3126E, TRUCK ENGINE	Turbocharged, Single Head	CTP3126495A	Out of Frame OH Gasket Set
					CTP3126495B	Inframe OH Set
					CTP3126495C	Cylinder Head Repl. Gasket Set
	HEP01-UP	228-1241	3126E, TRUCK ENGINE	Turbocharged, Single Head	CTP3126496A	Out of Frame OH Gasket Set
					CTP3126496B	Inframe OH Set
					CTP3126496C	Cylinder Head Repl. Gasket Set
	HEP01-UP	228-1510	3126E, TRUCK ENGINE	Turbocharged, Single Head	CTP3126497A	Out of Frame OH Gasket Set
					CTP3126497B	Inframe OH Set
					CTP3126497C	Cylinder Head Repl. Gasket Set
	HEP01-UP	229-4484, 230-8608	3126E, TRUCK ENGINE	Turbocharged, Single Head	CTP3126498A	Out of Frame OH Gasket Set
					CTP3126498B	Inframe OH Set
					CTP3126498C	Cylinder Head Repl. Gasket Set
	HEP01-UP	229-4492, 229-4493	3126E, TRUCK ENGINE	Turbocharged, Single Head	CTP3126499A	Out of Frame OH Gasket Set
					CTP3126499B	Inframe OH Set
					CTP3126499C	Cylinder Head Repl. Gasket Set

Prefix	Serial No.	Arrangement	Application	Comments	Part Number	Description
HEP	HEP01-UP	229-4503, 229-4505	3126E, TRUCK ENGINE	Turbocharged, Single Head	CTP3126500A	Out of Frame OH Gasket Set
					CTP3126500B	Inframe OH Set
					CTP3126500C	Cylinder Head Repl. Gasket Set
	HEP01-UP	229-4507, 230-8475, 230-8479, 231-5664, 232-5336	3126E, TRUCK ENGINE	Turbocharged, Single Head	CTP3126501A	Out of Frame OH Gasket Set
					CTP3126501B	Inframe OH Set
					CTP3126501C	Cylinder Head Repl. Gasket Set
	HEP01-UP	229-4508, 230-8477, 230-8482, 230-8483, 230-8484, 230-8485	3126E, TRUCK ENGINE	Turbocharged, Single Head	CTP3126502A	Out of Frame OH Gasket Set
					CTP3126502B	Inframe OH Set
					CTP3126502C	Cylinder Head Repl. Gasket Set
	HEP01-UP	229-4509, 230-1757	3126E, TRUCK ENGINE	Turbocharged, Single Head	CTP3126503A	Out of Frame OH Gasket Set
					CTP3126503B	Inframe OH Set
					CTP3126503C	Cylinder Head Repl. Gasket Set
	HEP01-UP	229-4512, 229-4706, 229-4756	3126E, TRUCK ENGINE	Turbocharged, Single Head	CTP3126504A	Out of Frame OH Gasket Set
					CTP3126504B	Inframe OH Set
					CTP3126504C	Cylinder Head Repl. Gasket Set
	HEP01-UP	229-4513, 229-4527, 229-4708, 229-4709	3126E, TRUCK ENGINE	Turbocharged, Single Head	CTP3126505A	Out of Frame OH Gasket Set
					CTP3126505B	Inframe OH Set
					CTP3126505C	Cylinder Head Repl. Gasket Set
	HEP01-UP	229-4514, 229-4519	3126E, TRUCK ENGINE	Turbocharged, Single Head	CTP3126506A	Out of Frame OH Gasket Set
					CTP3126506B	Inframe OH Set
					CTP3126506C	Cylinder Head Repl. Gasket Set
	HEP01-UP	229-4515, 229-4525, 229-4529, 229-4530, 229-4707, 229-4711	3126E, TRUCK ENGINE	Turbocharged, Single Head	CTP3126507A	Out of Frame OH Gasket Set
					CTP3126507B	Inframe OH Set
					CTP3126507C	Cylinder Head Repl. Gasket Set
	HEP01-UP	229-4517, 229-4518	3126E, TRUCK ENGINE	Turbocharged, Single Head	CTP3126508A	Out of Frame OH Gasket Set
					CTP3126508B	Inframe OH Set
					CTP3126508C	Cylinder Head Repl. Gasket Set
	HEP01-UP	229-4520	3126E, TRUCK ENGINE	Turbocharged, Single Head	CTP3126509A	Out of Frame OH Gasket Set
					CTP3126509B	Inframe OH Set
					CTP3126509C	Cylinder Head Repl. Gasket Set
	HEP01-UP	229-4521, 229-4748	3126E, TRUCK ENGINE	Turbocharged, Single Head	CTP3126510A	Out of Frame OH Gasket Set
					CTP3126510B	Inframe OH Set
					CTP3126510C	Cylinder Head Repl. Gasket Set
	HEP01-UP	229-4522	3126E, TRUCK ENGINE	Turbocharged, Single Head	CTP3126511A	Out of Frame OH Gasket Set
					CTP3126511B	Inframe OH Set
					CTP3126511C	Cylinder Head Repl. Gasket Set

Prefix	Serial No.	Arrangement	Application	Comments	Part Number	Description
HEP	HEP01-UP	229-4523	3126E, TRUCK ENGINE	Turbocharged, Single Head	CTP3126512A	Out of Frame OH Gasket Set
					CTP3126512B	Inframe OH Set
					CTP3126512C	Cylinder Head Repl. Gasket Set
	HEP01-UP	229-4524	3126E, TRUCK ENGINE	Turbocharged, Single Head	CTP3126513A	Out of Frame OH Gasket Set
					CTP3126513B	Inframe OH Set
					CTP3126513C	Cylinder Head Repl. Gasket Set
	HEP01-UP	229-4528, 230-1740, 233-8914	3126E, TRUCK ENGINE	Turbocharged, Single Head	CTP3126514A	Out of Frame OH Gasket Set
					CTP3126514B	Inframe OH Set
					CTP3126514C	Cylinder Head Repl. Gasket Set
	HEP01-UP	229-4680	3126E, TRUCK ENGINE	Turbocharged, Single Head	CTP3126515A	Out of Frame OH Gasket Set
					CTP3126515B	Inframe OH Set
					CTP3126515C	Cylinder Head Repl. Gasket Set
	HEP01-UP	229-4681	3126E, TRUCK ENGINE	Turbocharged, Single Head	CTP3126516A	Out of Frame OH Gasket Set
					CTP3126516B	Inframe OH Set
					CTP3126516C	Cylinder Head Repl. Gasket Set
	HEP01-UP	229-4682	3126E, TRUCK ENGINE	Turbocharged, Single Head	CTP3126517A	Out of Frame OH Gasket Set
					CTP3126517B	Inframe OH Set
					CTP3126517C	Cylinder Head Repl. Gasket Set
	HEP01-UP	229-4712, 229-4733, 230-1763, 230-8461, 230-8469, 230-8628	3126E, TRUCK ENGINE	Turbocharged, Single Head	CTP3126518A	Out of Frame OH Gasket Set
					CTP3126518B	Inframe OH Set
					CTP3126518C	Cylinder Head Repl. Gasket Set
	HEP01-UP	229-4741	3126E, TRUCK ENGINE	Turbocharged, Single Head	CTP3126519A	Out of Frame OH Gasket Set
					CTP3126519B	Inframe OH Set
					CTP3126519C	Cylinder Head Repl. Gasket Set
	HEP01-UP	229-4758, 230-1725, 230-1759	3126E, TRUCK ENGINE	Turbocharged, Single Head	CTP3126520A	Out of Frame OH Gasket Set
					CTP3126520B	Inframe OH Set
					CTP3126520C	Cylinder Head Repl. Gasket Set
	HEP01-UP	229-4759	3126E, TRUCK ENGINE	Turbocharged, Single Head	CTP3126521A	Out of Frame OH Gasket Set
					CTP3126521B	Inframe OH Set
					CTP3126521C	Cylinder Head Repl. Gasket Set
	HEP01-UP	229-4762, 230-1734, 230-1746, 230-1760, 231-5430	3126E, TRUCK ENGINE	Turbocharged, Single Head	CTP3126522A	Out of Frame OH Gasket Set
					CTP3126522B	Inframe OH Set
					CTP3126522C	Cylinder Head Repl. Gasket Set
	HEP01-UP	230-1772, 230-1773, 230-2004	3126E, TRUCK ENGINE	Turbocharged, Single Head	CTP3126523A	Out of Frame OH Gasket Set
					CTP3126523B	Inframe OH Set
					CTP3126523C	Cylinder Head Repl. Gasket Set

Prefix	Serial No.	Arrangement	Application	Comments	Part Number	Description
HEP	HEP01-UP	230-1957, 230-1959, 230-1996, 230-2007	3126E, TRUCK ENGINE	Turbocharged, Single Head	CTP3126524A	Out of Frame OH Gasket Set
					CTP3126524B	Inframe OH Set
					CTP3126524C	Cylinder Head Repl. Gasket Set
	HEP01-UP	230-1958	3126E, TRUCK ENGINE	Turbocharged, Single Head	CTP3126525A	Out of Frame OH Gasket Set
					CTP3126525B	Inframe OH Set
					CTP3126525C	Cylinder Head Repl. Gasket Set
	HEP01-UP	230-1993, 230-8434	3126E, TRUCK ENGINE	Turbocharged, Single Head	CTP3126526A	Out of Frame OH Gasket Set
					CTP3126526B	Inframe OH Set
					CTP3126526C	Cylinder Head Repl. Gasket Set
	HEP01-UP	230-2006	3126E, TRUCK ENGINE	Turbocharged, Single Head	CTP3126527A	Out of Frame OH Gasket Set
					CTP3126527B	Inframe OH Set
					CTP3126527C	Cylinder Head Repl. Gasket Set
	HEP01-UP	230-8439	3126E, TRUCK ENGINE	Turbocharged, Single Head	CTP3126528A	Out of Frame OH Gasket Set
					CTP3126528B	Inframe OH Set
					CTP3126528C	Cylinder Head Repl. Gasket Set
	HEP01-UP	230-8449	3126E, TRUCK ENGINE	Turbocharged, Single Head	CTP3126529A	Out of Frame OH Gasket Set
					CTP3126529B	Inframe OH Set
					CTP3126529C	Cylinder Head Repl. Gasket Set
	HEP01-UP	230-8455	3126E, TRUCK ENGINE	Turbocharged, Single Head	CTP3126530A	Out of Frame OH Gasket Set
					CTP3126530B	Inframe OH Set
					CTP3126530C	Cylinder Head Repl. Gasket Set
	HEP01-UP	230-8624	3126E, TRUCK ENGINE	Turbocharged, Single Head	CTP3126532A	Out of Frame OH Gasket Set
					CTP3126532B	Inframe OH Set
					CTP3126532C	Cylinder Head Repl. Gasket Set
	HEP01-UP	230-8636, 230-8650	3126E, TRUCK ENGINE	Turbocharged, Single Head	CTP3126533A	Out of Frame OH Gasket Set
					CTP3126533B	Inframe OH Set
					CTP3126533C	Cylinder Head Repl. Gasket Set
	HEP01-UP	230-8643	3126E, TRUCK ENGINE	Turbocharged, Single Head	CTP3126534A	Out of Frame OH Gasket Set
					CTP3126534B	Inframe OH Set
					CTP3126534C	Cylinder Head Repl. Gasket Set
	HEP01-UP	230-8655	3126E, TRUCK ENGINE	Turbocharged, Single Head	CTP3126535A	Out of Frame OH Gasket Set
					CTP3126535B	Inframe OH Set
					CTP3126535C	Cylinder Head Repl. Gasket Set
	HEP01-UP	231-5396	3126E, TRUCK ENGINE	Turbocharged, Single Head	CTP3126536A	Out of Frame OH Gasket Set
					CTP3126536B	Inframe OH Set
					CTP3126536C	Cylinder Head Repl. Gasket Set

Prefix	Serial No.	Arrangement	Application	Comments	Part Number	Description
HEP	HEP01-UP	231-5397	3126E, TRUCK ENGINE	Turbocharged, Single Head	CTP3126537A	Out of Frame OH Gasket Set
					CTP3126537B	Inframe OH Set
					CTP3126537C	Cylinder Head Repl. Gasket Set
	HEP01-UP	231-5398	3126E, TRUCK ENGINE	Turbocharged, Single Head	CTP3126538A	Out of Frame OH Gasket Set
					CTP3126538B	Inframe OH Set
					CTP3126538C	Cylinder Head Repl. Gasket Set
	HEP01-UP	231-5433	3126E, TRUCK ENGINE	Turbocharged, Single Head	CTP3126540A	Out of Frame OH Gasket Set
					CTP3126540B	Inframe OH Set
					CTP3126540C	Cylinder Head Repl. Gasket Set
	HEP01-UP	231-5444	3126E, TRUCK ENGINE	Turbocharged, Single Head	CTP3126541A	Out of Frame OH Gasket Set
					CTP3126541B	Inframe OH Set
					CTP3126541C	Cylinder Head Repl. Gasket Set
	HEP01-UP	231-5448	3126E, TRUCK ENGINE	Turbocharged, Single Head	CTP3126542A	Out of Frame OH Gasket Set
					CTP3126542B	Inframe OH Set
					CTP3126542C	Cylinder Head Repl. Gasket Set
	HEP01-UP	231-5632	3126E, TRUCK ENGINE	Turbocharged, Single Head	CTP3126543A	Out of Frame OH Gasket Set
					CTP3126543B	Inframe OH Set
					CTP3126543C	Cylinder Head Repl. Gasket Set
	HEP01-UP	231-5637, 231-5646	3126E, TRUCK ENGINE	Turbocharged, Single Head	CTP3126544A	Out of Frame OH Gasket Set
					CTP3126544B	Inframe OH Set
					CTP3126544C	Cylinder Head Repl. Gasket Set
	HEP01-UP	231-5662, 231-5665, 231-5676, 231-5741, 232-5331, 232-5340	3126E, TRUCK ENGINE	Turbocharged, Single Head	CTP3126545A	Out of Frame OH Gasket Set
					CTP3126545B	Inframe OH Set
					CTP3126545C	Cylinder Head Repl. Gasket Set
	HEP01-UP	231-5668, 231-5673	3126E, TRUCK ENGINE	Turbocharged, Single Head	CTP3126546A	Out of Frame OH Gasket Set
					CTP3126546B	Inframe OH Set
					CTP3126546C	Cylinder Head Repl. Gasket Set
	HEP01-UP	231-5672	3126E, TRUCK ENGINE	Turbocharged, Single Head	CTP3126547A	Out of Frame OH Gasket Set
					CTP3126547B	Inframe OH Set
					CTP3126547C	Cylinder Head Repl. Gasket Set
	HEP01-UP	232-5482, 232-5483, 232-5489	3126E, TRUCK ENGINE	Turbocharged, Single Head	CTP3126548A	Out of Frame OH Gasket Set
					CTP3126548B	Inframe OH Set
					CTP3126548C	Cylinder Head Repl. Gasket Set
	HEP01-UP	232-5486	3126E, TRUCK ENGINE	Turbocharged, Single Head	CTP3126549A	Out of Frame OH Gasket Set
					CTP3126549B	Inframe OH Set
					CTP3126549C	Cylinder Head Repl. Gasket Set

Prefix	Serial No.	Arrangement	Application	Comments	Part Number	Description
HEP	HEP01-UP	232-5493, 232-5578	3126E, TRUCK ENGINE	Turbocharged, Single Head	CTP3126550A	Out of Frame OH Gasket Set
					CTP3126550B	Inframe OH Set
					CTP3126550C	Cylinder Head Repl. Gasket Set
	HEP01-UP	232-5577, 238-7286	3126E, TRUCK ENGINE	Turbocharged, Single Head	CTP3126551A	Out of Frame OH Gasket Set
					CTP3126551B	Inframe OH Set
					CTP3126551C	Cylinder Head Repl. Gasket Set
	HEP01-UP	233-8926	3126E, TRUCK ENGINE	Turbocharged, Single Head	CTP3126552A	Out of Frame OH Gasket Set
					CTP3126552B	Inframe OH Set
					CTP3126552C	Cylinder Head Repl. Gasket Set
	HEP01-UP	237-1575	3126E, TRUCK ENGINE	Turbocharged, Single Head	CTP3126553A	Out of Frame OH Gasket Set
					CTP3126553B	Inframe OH Set
					CTP3126553C	Cylinder Head Repl. Gasket Set
HEP01-UP	240-4330	3126E, TRUCK ENGINE	Turbocharged, Single Head	CTP3126554A	Out of Frame OH Gasket Set	
				CTP3126554B	Inframe OH Set	
				CTP3126554C	Cylinder Head Repl. Gasket Set	
LEF	LEF01-UP	216-6324	3126E, TRUCK ENGINE	Turbocharged, Single Head	CTP3126443A	Out of Frame OH Gasket Set
					CTP3126443B	Inframe OH Set
					CTP3126443C	Cylinder Head Repl. Gasket Set
TX6	TX601-UP	234-2918	325C	Turbocharged, Single Head	CTP3126559A	Out of Frame OH Gasket Set
					CTP3126559B	Inframe OH Set
					CTP3126559C	Cylinder Head Repl. Gasket Set

## 3176

Prefix	Serial No.	Arrangement	Application	Comments	Part Number	Description
2YG	2YG01-UP	4P-3226, 7E-0370, 4P-3263, 7E-0369, 7E-0291, 7E-0367, 7E-0371, 7E-0372, 7E-0373, 7E-0374, 7E-0375, 7E-0376, 7E-0377, 7E-0378, (7E-0379 to 7E-0398), 7E-400	3176 TRUCK	Turbocharged, Single Head	CTP3176026A	Out of Frame OH Gasket Set
					CTP3176026B	Inframe OH Set
					CTP3176026C	Cylinder Head Repl. Gasket Set
2AW	2AW223-UP	1415095, 1415094, 1451709, 1541659, 1482109, 1541661	3176C INDUSTRIAL	Turbocharged, Single Head	CTP3176001A	Out of Frame OH Gasket Set
					CTP3176001B	Inframe OH Set
					CTP3176001C	Cylinder Head Repl. Gasket Set

Prefix	Serial No.	Arrangement	Application	Comments	Part Number	Description
3NL	3NL01-UP	105-4222, 116-1106, 118-0449, 124-2713, (131-6616 to 131-6626)	3176B INDUSTRIAL	Turbocharged, Single Head	CTP3176007A	Out of Frame OH Gasket Set
					CTP3176007B	Inframe OH Set
					CTP3176007C	Cylinder Head Repl. Gasket Set
	3NL01-UP	109-5314	3176B INDUSTRIAL 3176B	Turbocharged, Single Head	CTP3176008A	Out of Frame OH Gasket Set
					CTP3176008B	Inframe OH Set
					CTP3176008C	Cylinder Head Repl. Gasket Set
	3NL00159-3NL00277	116-5454	3176B INDUSTRIAL 3176B	Turbocharged, Single Head	CTP3176009A	Out of Frame OH Gasket Set
					CTP3176009B	Inframe OH Set
					CTP3176009C	Cylinder Head Repl. Gasket Set
	3NL01-UP	117-0188, 124-2691, 124-5087	3176B INDUSTRIAL 3176B	Turbocharged, Single Head	CTP3176010A	Out of Frame OH Gasket Set
					CTP3176010B	Inframe OH Set
					CTP3176010C	Cylinder Head Repl. Gasket Set
3NL01-UP	117-2693	3176B INDUSTRIAL 3176B	Turbocharged, Single Head	CTP3176011A	Out of Frame OH Gasket Set	
				CTP3176011B	Inframe OH Set	
				CTP3176011C	Cylinder Head Repl. Gasket Set	
3NL00553-UP	122-0740, 124-2649, 124-5067, 142-1994, 144-2922	3176B INDUSTRIAL 3176B	Turbocharged, Single Head	CTP3176012A	Out of Frame OH Gasket Set	
				CTP3176012B	Inframe OH Set	
				CTP3176012C	Cylinder Head Repl. Gasket Set	
3PD01-UP	160-5101	140H, MACHINE 140H MACHINE	Turbocharged, Single Head	CTP3176016A	Out of Frame OH Gasket Set	
				CTP3176016B	Inframe OH Set	
				CTP3176016C	Cylinder Head Repl. Gasket Set	
3PD01-UP	161-1750, 161-1747	143H, 14H, MACHINE MACHINE	Turbocharged, Single Head	CTP3176018A	Out of Frame OH Gasket Set	
				CTP3176018B	Inframe OH Set	
				CTP3176018C	Cylinder Head Repl. Gasket Set	
3PD01-UP	161-1751	160H	Turbocharged, Single Head	CTP3176019A	Out of Frame OH Gasket Set	
				CTP3176019B	Inframe OH Set	
				CTP3176019C	Cylinder Head Repl. Gasket Set	
3PD01-UP	161-1752	163H	Turbocharged, Single Head	CTP3176021A	Out of Frame OH Gasket Set	
				CTP3176021B	Inframe OH Set	
				CTP3176021C	Cylinder Head Repl. Gasket Set	
3PD01-UP	167-4382	725	Turbocharged, Single Head	CTP3176022A	Out of Frame OH Gasket Set	
				CTP3176022B	Inframe OH Set	
				CTP3176022C	Cylinder Head Repl. Gasket Set	
3PD01-UP	180-3191, 223-1556	966G	Turbocharged, Single Head	CTP3176024A	Out of Frame OH Gasket Set	
				CTP3176024B	Inframe OH Set	
				CTP3176024C	Cylinder Head Repl. Gasket Set	

Prefix	Serial No.	Arrangement	Application	Comments	Part Number	Description
3PD	3PD01-UP	184-1158	814F	Turbocharged, Single Head	CTP3176023A	Out of Frame OH Gasket Set
					CTP3176023B	Inframe OH Set
					CTP3176023C	Cylinder Head Repl. Gasket Set
	3PD01-UP	214-4619, 220-0794	966G II WHEEL LOADER	Turbocharged, Single Head	CTP3176004A	Out of Frame OH Gasket Set
					CTP3176004B	Inframe OH Set
					CTP3176004C	Cylinder Head Repl. Gasket Set
	3PD01-UP	223-1553	966G	Turbocharged, Single Head	CTP3176025A	Out of Frame OH Gasket Set
					CTP3176025B	Inframe OH Set
					CTP3176025C	Cylinder Head Repl. Gasket Set
	3PD01-UP	285-6403	140H, MACHINE 140H MACHINE	Turbocharged, Single Head	CTP3176017A	Out of Frame OH Gasket Set
					CTP3176017B	Inframe OH Set
					CTP3176017C	Cylinder Head Repl. Gasket Set
	3PD01-UP	285-6406	160H	Turbocharged, Single Head	CTP3176020A	Out of Frame OH Gasket Set
					CTP3176020B	Inframe OH Set
					CTP3176020C	Cylinder Head Repl. Gasket Set
43Z	43Z00001- 43Z01140	100-6125	CHALLENGER 75, MACHINE MACHINE	Turbocharged, Single Head	CTP3176013A	Out of Frame OH Gasket Set
					CTP3176013B	Inframe OH Set
					CTP3176013C	Cylinder Head Repl. Gasket Set
	43Z01-UP	100-6130	CHALLENGER 75, MACHINE CHALLENGER 85 MACHINE	Turbocharged, Single Head	CTP3176014A	Out of Frame OH Gasket Set
					CTP3176014B	Inframe OH Set
					CTP3176014C	Cylinder Head Repl. Gasket Set
	43Z01-UP	7E-3713	CHALLENGER 75, MACHINE CHALLENGER 75 MACHINE	Turbocharged, Single Head	CTP3176015A	Out of Frame OH Gasket Set
					CTP3176015B	Inframe OH Set
					CTP3176015C	Cylinder Head Repl. Gasket Set
6BW	6BW00333- UP	144-2940, 144-2941	3176 MARINE	Turbocharged, Single Head	CTP3176040A	Out of Frame OH Gasket Set
					CTP3176040B	Inframe OH Set
					CTP3176040C	Cylinder Head Repl. Gasket Set
7ZR	7ZR01-UP	116-5375	75	Turbocharged, Single Head	CTP3176047A	Out of Frame OH Gasket Set
					CTP3176047B	Inframe OH Set
					CTP3176047C	Cylinder Head Repl. Gasket Set
	7ZR01-UP	124-5075	75C, 75D	Turbocharged, Single Head	CTP3176048A	Out of Frame OH Gasket Set
					CTP3176048B	Inframe OH Set
					CTP3176048C	Cylinder Head Repl. Gasket Set
	7ZR01-UP	126-0054, 173-0355	345B EXCAVATOR	Turbocharged, Single Head	CTP3176003A	Out of Frame OH Gasket Set
					CTP3176003B	Inframe OH Set
					CTP3176003C	Cylinder Head Repl. Gasket Set

Prefix	Serial No.	Arrangement	Application	Comments	Part Number	Description
7ZR	7ZR01-UP	133-7065, 160-8575	65E , 75E	Turbocharged, Single Head	CTP3176046A	Out of Frame OH Gasket Set
					CTP3176046B	Inframe OH Set
					CTP3176046C	Cylinder Head Repl. Gasket Set
	7ZR01-UP	138-2001, 194-6646	345, 345B	Turbocharged, Single Head	CTP3176041A	Out of Frame OH Gasket Set
					CTP3176041B	Inframe OH Set
					CTP3176041C	Cylinder Head Repl. Gasket Set
	7ZR01-UP	145-1605, 145-1730	R1300, R1600, R1700	Turbocharged, Single Head	CTP3176053A	Out of Frame OH Gasket Set
					CTP3176053B	Inframe OH Set
					CTP3176053C	Cylinder Head Repl. Gasket Set
	7ZR00000- 7ZR03740	148-2005	345B	Turbocharged, Single Head	CTP3176043A	Out of Frame OH Gasket Set
					CTP3176043B	Inframe OH Set
					CTP3176043C	Cylinder Head Repl. Gasket Set
	7ZR01-UP	148-3030	480, 485	Turbocharged, Single Head	CTP3176044A	Out of Frame OH Gasket Set
					CTP3176044B	Inframe OH Set
					CTP3176044C	Cylinder Head Repl. Gasket Set
	7ZR01-UP	160-8560, 248-6391	D7R II TRACK-TYPE TRACTOR	Turbocharged, Single Head	CTP3176005A	Out of Frame OH Gasket Set
					CTP3176005B	Inframe OH Set
					CTP3176005C	Cylinder Head Repl. Gasket Set
	7ZR01-UP	248-6395, 318-1380, 363-7873	D7R	Turbocharged, Single Head	CTP3176006A	Out of Frame OH Gasket Set
					CTP3176006B	Inframe OH Set
					CTP3176006C	Cylinder Head Repl. Gasket Set
	7ZR01-UP	160-8557, 165-6698	D7R	Turbocharged, Single Head	CTP3176049A	Out of Frame OH Gasket Set
					CTP3176049B	Inframe OH Set
					CTP3176049C	Cylinder Head Repl. Gasket Set
	7ZR01-UP	163-5640	345, 345B	Turbocharged, Single Head	CTP3176042A	Out of Frame OH Gasket Set
					CTP3176042B	Inframe OH Set
					CTP3176042C	Cylinder Head Repl. Gasket Set
	7ZR01-UP	219-1421	D7R	Turbocharged, Single Head	CTP3176051A	Out of Frame OH Gasket Set
					CTP3176051B	Inframe OH Set
					CTP3176051C	Cylinder Head Repl. Gasket Set
7ZR01-UP	223-5806	R1700	Turbocharged, Single Head	CTP3176055A	Out of Frame OH Gasket Set	
				CTP3176055B	Inframe OH Set	
				CTP3176055C	Cylinder Head Repl. Gasket Set	
7ZR01-UP	248-6390	D7R	Turbocharged, Single Head	CTP3176052A	Out of Frame OH Gasket Set	
				CTP3176052B	Inframe OH Set	
				CTP3176052C	Cylinder Head Repl. Gasket Set	



Prefix	Serial No.	Arrangement	Application	Comments	Part Number	Description				
7ZR	7ZR01-UP	256-6771	D7R	Turbocharged, Single Head	CTP3176050A	Out of Frame OH Gasket Set				
					CTP3176050B	Inframe OH Set				
					CTP3176050C	Cylinder Head Repl. Gasket Set				
	7ZR01-UP	288-1189	572R	Turbocharged, Single Head	CTP3176045A	Out of Frame OH Gasket Set				
					CTP3176045B	Inframe OH Set				
					CTP3176045C	Cylinder Head Repl. Gasket Set				
	7ZR01-UP	329-6713	R1600	Turbocharged, Single Head	CTP3176054A	Out of Frame OH Gasket Set				
					CTP3176054B	Inframe OH Set				
					CTP3176054C	Cylinder Head Repl. Gasket Set				
9CK	9CK01-UP	100-6134, 100-6135, 100-6136, 111-2677, 107-5823, 107-5824, 113-8972, 115-2974, 115-2975, 115-2976, 115-2977, 115-2978, 115-2999, 117-0171, 117-0202, 117-0226, 117-2679, 117-2680, 118-0467, 118-0468, 118-2802, 119-3747, 123-0800, 123-0801, 123-0806, 123-0813, 124-2662, 124-2663, 124-2669, 124-2672, 6I-2641, 6I-2642, 6I-2644, 6I-2647, 6I-2649	3176 TRUCK	Turbocharged, Single Head	CTP3176027A	Out of Frame OH Gasket Set				
					CTP3176027B	Inframe OH Set				
					CTP3176027C	Cylinder Head Repl. Gasket Set				
					9CK01-UP	100-6137, 100-6138, 100-6139, 100-6140, 100-6141, 100-6143, 100-6144, 100-6145, 100-6147, 100-6148, 100-6149, 100-6150, 100-6151, 100-6152, 107-5809, 107-5825, 111-2646, 111-2649, 111-2650, 111-2651, 111-2652, 111-2653, 111-2654, 111-2655, 111-2656, 111-2657, 111-2658, 111-2659, 111-2678, 113-8973, 13-8980, 117-0224,	3176 TRUCK	Turbocharged, Single Head	CTP3176028A	Out of Frame OH Gasket Set
									CTP3176028B	Inframe OH Set
									CTP3176028C	Cylinder Head Repl. Gasket Set

Prefix	Serial No.	Arrangement	Application	Comments	Part Number	Description
9CK	9CK01-UP	1 117-2675, 131-4194	3176 TRUCK	Turbocharged, Single Head	CTP3176028A	Out of Frame OH Gasket Set
					CTP3176028B	Inframe OH Set
					CTP3176028C	Cylinder Head Repl. Gasket Set
	9CK01-UP	100-6142, 100-6146	3176 TRUCK	Turbocharged, Single Head	CTP3176029A	Out of Frame OH Gasket Set
					CTP3176029B	Inframe OH Set
					CTP3176029C	Cylinder Head Repl. Gasket Set
	9CK01-UP	105-4222, 116-1106, 118-0449, 124-2713, (131-6616 to 131-6626)	3176B INDUSTRIAL	Turbocharged, Single Head	CTP3176007A	Out of Frame OH Gasket Set
					CTP3176007B	Inframe OH Set
					CTP3176007C	Cylinder Head Repl. Gasket Set
	9CK01-UP	111-2659	TRUCK	Turbocharged, Single Head	CTP3176002A	Out of Frame OH Gasket Set
					CTP3176002B	Inframe OH Set
					CTP3176002C	Cylinder Head Repl. Gasket Set
	9CK06896-UP	115-3000, 124-2700, 124-2647, 124-2699	3176 TRUCK	Turbocharged, Single Head	CTP3176030A	Out of Frame OH Gasket Set
					CTP3176030B	Inframe OH Set
					CTP3176030C	Cylinder Head Repl. Gasket Set
9CK01-UP	117-2668, 117-2669, 117-2670, 118-0454, 122-0717, 122-0733, 122-0734, 122-0735, 122-0736, 122-0737, 122-0738, 122-0739, 122-0746, 122-0747, 122-0748, 122-0749, 122-0750, 122-0751, 122-0752, 123-0784, 123-0803, 123-0805, 123-0814, 124-2656, 124-2664, 124-5047, 124-5071, 124-5074, 124-5088, 131-4195, 131-4196, 131-4197, 131-4199, 131-4200, 131-4202, 131-4203, 131-4210, 131-4211, 131-4212, 131-4213, 131-4214, 131-4215, 131-4216, 131-4217, 131-4218, 131-4219, 131-4220, 131-4221, 131-4222, 131-4223, 131-4224, 131-4225, 131-6628	3176 TRUCK	Turbocharged, Single Head	CTP3176031A	Out of Frame OH Gasket Set	
				CTP3176031B	Inframe OH Set	
				CTP3176031C	Cylinder Head Repl. Gasket Set	

Prefix	Serial No.	Arrangement	Application	Comments	Part Number	Description
9CK	9CK01-UP	131-6639, 132-3188, 132-3189, 132-3190, 131-4180, 131-4181, 131-4182, 131-4183, 131-4184, 131-4185, 131-4186, 131-4187, 131-4188, 131-4189, 131-4192, 131-4193	3176 TRUCK	Turbocharged, Single Head	CTP3176031A	Out of Frame OH Gasket Set
					CTP3176031B	Inframe OH Set
					CTP3176031C	Cylinder Head Repl. Gasket Set
9CK	9CK01-UP	118-2805, 118-2817, 122-0720, 124-5090	3176 TRUCK	Turbocharged, Single Head	CTP3176032A	Out of Frame OH Gasket Set
					CTP3176032B	Inframe OH Set
					CTP3176032C	Cylinder Head Repl. Gasket Set
9CK	9CK32684-9CK99999	122-0740, 124-2649, 124-5067, 142-1994, 144-2922	3176B INDUSTRIAL INDUSTRIAL 3176B	Turbocharged, Single Head	CTP3176012A	Out of Frame OH Gasket Set
					CTP3176012B	Inframe OH Set
					CTP3176012C	Cylinder Head Repl. Gasket Set
9CK	9CK01-UP	122-0741, 131-6631, 131-6632, 131-6633, 131-6634	3176 TRUCK	Turbocharged, Single Head	CTP3176033A	Out of Frame OH Gasket Set
					CTP3176033B	Inframe OH Set
					CTP3176033C	Cylinder Head Repl. Gasket Set
9CK	9CK01-UP	123-0799, 123-0804	3176 TRUCK	Turbocharged, Single Head	CTP3176034A	Out of Frame OH Gasket Set
					CTP3176034B	Inframe OH Set
					CTP3176034C	Cylinder Head Repl. Gasket Set
9CK	9CK01-UP	128-0378	3176 TRUCK	Turbocharged, Single Head	CTP3176035A	Out of Frame OH Gasket Set
					CTP3176035B	Inframe OH Set
					CTP3176035C	Cylinder Head Repl. Gasket Set
9CK	9CK01-UP	131-6627	3176 TRUCK	Turbocharged, Single Head	CTP3176036A	Out of Frame OH Gasket Set
					CTP3176036B	Inframe OH Set
					CTP3176036C	Cylinder Head Repl. Gasket Set
9CK	9CK00001-9CK27598	61-2643	3176 TRUCK	Turbocharged, Single Head	CTP3176037A	Out of Frame OH Gasket Set
					CTP3176037B	Inframe OH Set
					CTP3176037C	Cylinder Head Repl. Gasket Set
9CK	9CK01-UP	61-2648	3176B TRUCK	Turbocharged, Single Head	CTP3176038A	Out of Frame OH Gasket Set
					CTP3176038B	Inframe OH Set
					CTP3176038C	Cylinder Head Repl. Gasket Set
9WK	9WK01-UP	100-6450, 100-6451	3176B MARINE	Turbocharged, Single Head	CTP3176039A	Out of Frame OH Gasket Set
					CTP3176039B	Inframe OH Set
					CTP3176039C	Cylinder Head Repl. Gasket Set
ABJ	ABJ01-UP	248-6395, 318-1380, 363-7873	D7R	Turbocharged, Single Head	CTP3176006A	Out of Frame OH Gasket Set
					CTP3176006B	Inframe OH Set
					CTP3176006C	Cylinder Head Repl. Gasket Set

## 3196

Prefix	Serial No.	Arrangement	Application	Comments	Part Number	Description
5ED	5ED01-UP	180-3195, 223-1559, 223-1557	972G II WHEEL LOADER	Turbocharged, Single Head	CTP3196001A	Out of Frame OH Gasket Set
					CTP3196001B	Inframe OH Set
					CTP3196001C	Cylinder Head Repl. Gasket Set

## 3204

Prefix	Serial No.	Arrangement	Application	Comments	Part Number	Description
7YJ	7YJ01-UP	1N-3610, 1N-3608	D4C, D4H, D5C TRACK-TYPE TRACTOR	Turbocharged, Single Head	CTP3204003A	Out of Frame OH Gasket Set
					CTP3204003B	Inframe OH Set
					CTP3204003C	Cylinder Head Repl. Gasket Set
10X	10X05369-UP	6N-6626	943 TRACK LOADER, 215 EXCAVATOR, 953 TRACK LOADER	Turbocharged, Single Head	CTP3204001A	Out of Frame OH Gasket Set
					CTP3204001B	Inframe OH Set
					CTP3204001C	Cylinder Head Repl. Gasket Set
45V	45V60736-UP	7C-7739, 9Y-0792, 4P-0909	D4B, D4C II TRACK-TYPE TRACTOR	Turbocharged, Single Head	CTP3204002A	Out of Frame OH Gasket Set
					CTP3204002B	Inframe OH Set
					CTP3204002C	Cylinder Head Repl. Gasket Set
45V	45V47658-UP	1N-3610, 1N-3608	D4C, D4H, D5C TRACK-TYPE TRACTOR	Turbocharged, Single Head	CTP3204003A	Out of Frame OH Gasket Set
					CTP3204003B	Inframe OH Set
					CTP3204003C	Cylinder Head Repl. Gasket Set
45V	45V00001-45V17159	4N-0169	931, D3	Turbocharged, Single Head	CTP3204004A	Out of Frame OH Gasket Set
					CTP3204004B	Inframe OH Set
					CTP3204004C	Cylinder Head Repl. Gasket Set

## 3208

Prefix	Serial No.	Arrangement	Application	Comments	Part Number	Description
01Z	01Z101-UP		MARINE	Turbocharged Engine	CTP3208004A	Out of Frame OH Gasket Set
					CTO3208004B	Inframe OH Set
					CTP3208004C	Cylinder Head Repl. Gasket Set
					CTP3208004D	Single Cyl. Head Repl. Gasket Set
01Z	01Z101-UP		MARINE	Turbocharged Engine	CTP3208006A	Out of Frame OH Gasket Set
					CTP3208006B	Inframe OH Set
					CTP3208006C	Cylinder Head Repl. Gasket Set
					CTP3208006D	Single Cyl. Head Repl. Gasket Set
02Z	02Z01-UP		TRUCK, INDUSTRIAL, GENERATOR, MARINE	Turbocharged Engine	CTP3208002A	Out of Frame OH Gasket Set
					CTP3208002B	Inframe OH Set
					CTP3208002C	Cylinder Head Repl. Gasket Set
					CTP3208002D	Single Cyl. Head Repl. Gasket Set

Prefix	Serial No.	Arrangement	Application	Comments	Part Number	Description
02Z	02Z01-UP	1W-9808, 9N-5997	TRUCK	Turbocharged Engine	CTP3208009A	Out of Frame OH Gasket Set
					CTP3208009B	Inframe OH Set
					CTP3208009C	Cylinder Head Repl. Gasket Set
					CTP3208009D	Single Cyl. Head Repl. Gasket Set
03Z	03Z01-UP		TRUCK, INDUSTRIAL, GENERATOR, MARINE	Turbocharged Engine	CTP3208002A	Out of Frame OH Gasket Set
					CTP3208002B	Inframe OH Set
					CTP3208002C	Cylinder Head Repl. Gasket Set
					CTP3208002D	Single Cyl. Head Repl. Gasket Set
	03Z02551-UP	8N-3527, 2W-8219	MARINE, INDUSTRIAL	Turbocharged Engine	CTP3208008A	Out of Frame OH Gasket Set
					CTP3208008B	Inframe OH Set
					CTP3208008C	Cylinder Head Repl. Gasket Set
					CTP3208008D	Single Cyl. Head Repl. Gasket Set
29A	29A225-UP		TRUCK, INDUSTRIAL, MARINE, 613B	Non Turbo-charged Engine	CTP3208001A	Out of Frame OH Gasket Set
					CTP3208001B	Inframe OH Set
					CTP3208001C	Cylinder Head Repl. Gasket Set
					CTP3208001D	Single Cyl. Head Repl. Gasket Set
30A	30A210-UP		TRUCK, INDUSTRIAL, GENERATOR, MARINE	Turbocharged Engine	CTP3208002A	Out of Frame OH Gasket Set
					CTP3208002B	Inframe OH Set
					CTP3208002C	Cylinder Head Repl. Gasket Set
					CTP3208002D	Single Cyl. Head Repl. Gasket Set
32Y	32Y01-UP		TRUCK, INDUSTRIAL, MARINE, 613B	Non Turbo-charged Engine	CTP3208001A	Out of Frame OH Gasket Set
					CTP3208001B	Inframe OH Set
					CTP3208001C	Cylinder Head Repl. Gasket Set
					CTP3208001D	Single Cyl. Head Repl. Gasket Set
40S	40S01-UP		TRUCK, INDUSTRIAL, MARINE, 613B	Non Turbo-charged Engine	CTP3208001A	Out of Frame OH Gasket Set
					CTP3208001B	Inframe OH Set
					CTP3208001C	Cylinder Head Repl. Gasket Set
					CTP3208001D	Single Cyl. Head Repl. Gasket Set
51Z	51Z01-UP		TRUCK, INDUSTRIAL, MARINE, 613B	Non Turbo-charged Engine	CTP3208001A	Out of Frame OH Gasket Set
					CTP3208001B	Inframe OH Set
					CTP3208001C	Cylinder Head Repl. Gasket Set
					CTP3208001D	Single Cyl. Head Repl. Gasket Set
	51Z01-UP	1W-7687, 9Y-9706	3208 TRUCK	Non Turbo-charged Engine	CTP3208010A	Out of Frame OH Gasket Set
					CTP3208010B	Inframe OH Set
					CTP3208010C	Cylinder Head Repl. Gasket Set
					CTP3208010D	Single Cyl. Head Repl. Gasket Set

Prefix	Serial No.	Arrangement	Application	Comments	Part Number	Description	
75V	75V01-UP		MARINE	Turbocharged Engine	CTP3208004A	Out of Frame OH Gasket Set	
					CTO3208004B	Inframe OH Set	
					CTP3208004C	Cylinder Head Repl. Gasket Set	
					CTP3208004D	Single Cyl. Head Repl. Gasket Set	
	75V09526-UP	1W0356		MARINE	Turbocharged Engine	CTP3208007A	Out of Frame OH Gasket Set
						CTP3208007B	Inframe OH Set
						CTP3208007C	Cylinder Head Repl. Gasket Set
						CTP3208007D	Single Cyl. Head Repl. Gasket Set
	75V04283-UP	2W-8219, 8N-3527		MARINE, INDUSTRIAL	Turbocharged, Aftercooled	CTP3208008A	Out of Frame OH Gasket Set
						CTP3208008B	Inframe OH Set
						CTP3208008C	Cylinder Head Repl. Gasket Set
						CTP3208008D	Single Cyl. Head Repl. Gasket Set
79V	79V5381-UP		TRUCK, INDUSTRIAL, MARINE, 613B	Non Turbo-charged Engine	CTP3208001A	Out of Frame OH Gasket Set	
					CTP3208001B	Inframe OH Set	
					CTP3208001C	Cylinder Head Repl. Gasket Set	
					CTP3208001D	Single Cyl. Head Repl. Gasket Set	
	79V11044-UP	2W6558		MARINE	Turbocharged Engine	CTP3208003A	Out of Frame OH Gasket Set
						CTP3208003B	Inframe OH Set
						CTP3208003C	Cylinder Head Repl. Gasket Set
						CTP3208003D	Single Cyl. Head Repl. Gasket Set
	79V01-UP			3208NA	Turbocharged Engine	CTP3208005A	Out of Frame OH Gasket Set
						CTP3208005B	Inframe OH Set
						CTP3208005C	Cylinder Head Repl. Gasket Set
						CTP3208005D	Single Cyl. Head Repl. Gasket Set
90N	90N01-UP		TRUCK, INDUSTRIAL, MARINE, 613B	Non Turbo-charged Engine	CTP3208001A	Out of Frame OH Gasket Set	
					CTP3208001B	Inframe OH Set	
					CTP3208001C	Cylinder Head Repl. Gasket Set	
					CTP3208001D	Single Cyl. Head Repl. Gasket Set	

## 3304

Prefix	Serial No.	Arrangement	Application	Comments	Part Number	Description	
02B	02B16236-UP	2W-5900	INDUSTRIAL 3304	Turbocharged, Single Head	CTP3304044A	Out of Frame OH Gasket Set	
					CTP3304044B	Inframe OH Set	
					CTP3304044C	Cylinder Head Repl. Gasket Set	
	02B04364-02B05271	3N-3205, 3N-5410	INDUSTRIAL 3304	INDUSTRIAL 3304	Turbocharged, Single Head	CTP3304043A	Out of Frame OH Gasket Set
						CTP3304043B	Inframe OH Set
						CTP3304043C	Cylinder Head Repl. Gasket Set

Prefix	Serial No.	Arrangement	Application	Comments	Part Number	Description
02B	02B04364-02B05271	3N-6705	INDUSTRIAL 3304 INDUSTRIAL 3304	Turbocharged, Single Head	CTP3304045A	Out of Frame OH Gasket Set
					CTP3304045B	Inframe OH Set
					CTP3304045C	Cylinder Head Repl. Gasket Set
	02B05272-02B09599, 02B05458-02B09599, 02B05473-02B09599	6N-1103, 6N-1104, 6N-1105	INDUSTRIAL 3304 INDUSTRIAL 3304	Turbocharged, Single Head	CTP3304046A	Out of Frame OH Gasket Set
					CTP3304046B	Inframe OH Set
					CTP3304046C	Cylinder Head Repl. Gasket Set
05B	05B01197-05B01386, 05B01387-05B02099	3N-3208, 4N-4208	INDUSTRIAL, MARINE MARINE	Turbocharged, Single Head	CTP3304047A	Out of Frame OH Gasket Set
					CTP3304047B	Inframe OH Set
					CTP3304047C	Cylinder Head Repl. Gasket Set
	05B02100-05B02804	7N-3278	INDUSTRIAL, MARINE	Turbocharged, Single Head	CTP3304048A	Out of Frame OH Gasket Set
					CTP3304048B	Inframe OH Set
					CTP3304048C	Cylinder Head Repl. Gasket Set
07R	07R01-07R00462	6A-3021, 6A-5543, 6A-5544, 6A-7358	D4D / D4E TRACK TYPE TRACTOR	Turbocharged, Single Head	CTP3304033A	Out of Frame OH Gasket Set
					CTP3304033B	Inframe OH Set
					CTP3304033C	Cylinder Head Repl. Gasket Set
07Z	07Z01-UP	7N-1131, 8N-3073	MACHINE	Turbocharged, Single Head	CTP3304031A	Out of Frame OH Gasket Set
					CTP3304031B	Inframe OH Set
					CTP3304031C	Cylinder Head Repl. Gasket Set
07Z	07Z32317-UP	132-2010	D4E SR TRAC TYPE TRACTOR DIRECT DRIVE	Turbocharged, Single Head	CTP3304038A	Out of Frame OH Gasket Set
					CTP3304038B	Inframe OH Set
					CTP3304038C	Cylinder Head Repl. Gasket Set
09Z	09Z09370-UP	4P-0903, 4P-9078	D5H, D4H, D4H XL, D4H LGP SERIES III TRACK TYPE TRACTOR, D4H LGP TRACK TYPE TRACTOR DIRECT DRIVE	Turbocharged, Single Head	CTP3304039A	Out of Frame OH Gasket Set
					CTP3304039B	Inframe OH Set
					CTP3304039C	Cylinder Head Repl. Gasket Set
	09Z00254-UP	5C-8862, 6N-6878, 9Y-1720	950B, 950E WHEEL LOADER	Turbocharged, Single Head	CTP3304040A	Out of Frame OH Gasket Set
					CTP3304040B	Inframe OH Set
					CTP3304040C	Cylinder Head Repl. Gasket Set
10E	10E00815-UP	4W-3918, 111-8013	MACHINE	Turbocharged, Single Head	CTP3304030A	Out of Frame OH Gasket Set
					CTP3304030B	Inframe OH Set
					CTP3304030C	Cylinder Head Repl. Gasket Set
12Z	12Z11007-UP	1W-4584	MACHINE	Turbocharged, Single Head	CTP3304029A	Out of Frame OH Gasket Set
					CTP3304029B	Inframe OH Set
					CTP3304029C	Cylinder Head Repl. Gasket Set

Prefix	Serial No.	Arrangement	Application	Comments	Part Number	Description
12Z	12Z01-UP	5C-5463 , 5C-8753 , 6C-0113	D4E TRACK- TYPE TRACTOR	Turbocharged, Single Head	CTP3304036A	Out of Frame OH Gasket Set
					CTP3304036B	Inframe OH Set
					CTP3304036C	Cylinder Head Repl. Gasket Set
	12Z01-UP	5C-8862, 6N-6878, 9Y-1720	950B, 950E WHEEL LOADER	Turbocharged, Single Head	CTP3304040A	Out of Frame OH Gasket Set
					CTP3304040B	Inframe OH Set
					CTP3304040C	Cylinder Head Repl. Gasket Set
43V	43V10671-43V18853, 43V02317-43V10505, 43V03842-43V10637	7N-3586, 4N-3803, 4N-3974	MACHINE	Turbocharged, Single Head	CTP3304032A	Out of Frame OH Gasket Set
					CTP3304032B	Inframe OH Set
					CTP3304032C	Cylinder Head Repl. Gasket Set
	43V10506-UP	6A-3021, 6A-5543, 6A-5544, 6A-7358	D4D / D4E TRACK TYPE TRACTOR	Turbocharged, Single Head	CTP3304033A	Out of Frame OH Gasket Set
					CTP3304033B	Inframe OH Set
					CTP3304033C	Cylinder Head Repl. Gasket Set
46V	46V9547-UP	2Y-9470, 2Y-8608, 2Y-9471	D4E TRACTOR SPECIAL APPLI- CATION DIRECT DRIVE	Turbocharged, Single Head	CTP3304034A	Out of Frame OH Gasket Set
					CTP3304034B	Inframe OH Set
					CTP3304034C	Cylinder Head Repl. Gasket Set
46V04786-UP	2Y-8609, 2Y-2007, 9Y-6295, 9Y-9510, 9Y-9510	D4E TRACK- TYPE TRACTOR, 930, 930R, 930T WHEEL LOADER	Turbocharged, Single Head	CTP3304037A	Out of Frame OH Gasket Set	
				CTP3304037B	Inframe OH Set	
				CTP3304037C	Cylinder Head Repl. Gasket Set	
48V	48V01-UP	5C-5463 , 5C-8753 , 6C-0113	D4E TRACK- TYPE TRACTOR	Turbocharged, Single Head	CTP3304036A	Out of Frame OH Gasket Set
					CTP3304036B	Inframe OH Set
					CTP3304036C	Cylinder Head Repl. Gasket Set
	48V01-UP	6A-3021, 6A-5543, 6A-5544, 6A-7358	D4D / D4E TRACK TYPE TRACTOR	Turbocharged, Single Head	CTP3304033A	Out of Frame OH Gasket Set
					CTP3304033B	Inframe OH Set
					CTP3304033C	Cylinder Head Repl. Gasket Set
48V01-48V14144	6A-4615, 6A-4616, 6A-4617	920, 930, 950 WHEEL LOADER	Turbocharged, Single Head	CTP3304041A	Out of Frame OH Gasket Set	
				CTP3304041B	Inframe OH Set	
				CTP3304041C	Cylinder Head Repl. Gasket Set	
4YD	4YD01-UP	2Y-9470, 2Y-8608, 2Y-9471	D4E TRACTOR SPECIAL APPLI- CATION DIRECT DRIVE	Turbocharged, Single Head	CTP3304034A	Out of Frame OH Gasket Set
					CTP3304034B	Inframe OH Set
					CTP3304034C	Cylinder Head Repl. Gasket Set
59Z	59Z01-UP	2Y-6294, 2Y-7229, 2Y-9364	D4E TRACTORS POWER SHIFT TRACK-TYPE TRACTOR	Turbocharged, Single Head	CTP3304035A	Out of Frame OH Gasket Set
					CTP3304035B	Inframe OH Set
					CTP3304035C	Cylinder Head Repl. Gasket Set
59Z1930-UP	2Y-9463	930R, 930T WHEEL LOADER	Turbocharged, Single Head	CTP3304042A	Out of Frame OH Gasket Set	
				CTP3304042B	Inframe OH Set	
				CTP3304042C	Cylinder Head Repl. Gasket Set	

Prefix	Serial No.	Arrangement	Application	Comments	Part Number	Description
59Z	59Z1974-UP	2Y-9470, 2Y-8608, 2Y-9471	D4E TRACTOR SPECIAL APPLICATION DIRECT DRIVE	Turbocharged, Single Head	CTP3304034A	Out of Frame OH Gasket Set
					CTP3304034B	Inframe OH Set
					CTP3304034C	Cylinder Head Repl. Gasket Set
78P	78P00001-78P40899	3P-0134	120G MOTOR GRADER	Turbocharged, Single Head	CTP3304001A	Out of Frame OH Gasket Set
					CTP3304001B	Inframe OH Set
					CTP3304001C	Cylinder Head Repl. Gasket Set
78P01-UP	3P-0136, 8N-0191	130G MOTOR GRADER	Turbocharged, Single Head	CTP3304003A	Out of Frame OH Gasket Set	
				CTP3304003B	Inframe OH Set	
				CTP3304003C	Cylinder Head Repl. Gasket Set	
78P01-UP	1P-6493	130G MOTOR GRADER	Turbocharged, Single Head	CTP3304004A	Out of Frame OH Gasket Set	
				CTP3304004B	Inframe OH Set	
				CTP3304004C	Cylinder Head Repl. Gasket Set	
78P00001-78P07424	2P-6776	941B TRAXCAVATOR	Turbocharged, Single Head	CTP3304013A	Out of Frame OH Gasket Set	
				CTP3304013B	Inframe OH Set	
				CTP3304013C	Cylinder Head Repl. Gasket Set	
78P00001-78P08214	2P-6777	920 WHEEL LOADER	Turbocharged, Single Head	CTP3304008A	Out of Frame OH Gasket Set	
				CTP3304008B	Inframe OH Set	
				CTP3304008C	Cylinder Head Repl. Gasket Set	
78P00001-78P40899	2P-6779	951C TRAXCAVATOR	Turbocharged, Single Head	CTP3304019A	Out of Frame OH Gasket Set	
				CTP3304019B	Inframe OH Set	
				CTP3304019C	Cylinder Head Repl. Gasket Set	
78P00001-78P05303	2P-6782	930 WHEEL LOADER	Turbocharged, Single Head	CTP3304011A	Out of Frame OH Gasket Set	
				CTP3304011B	Inframe OH Set	
				CTP3304011C	Cylinder Head Repl. Gasket Set	
78P00001-78P07424	2P-6783	955L TRAXCAVATOR	Turbocharged, Single Head	CTP3304021A	Out of Frame OH Gasket Set	
				CTP3304021B	Inframe OH Set	
				CTP3304021C	Cylinder Head Repl. Gasket Set	
78P00001-78P11062	2P-6784	518 SKIDDER	Turbocharged, Single Head	CTP3304005A	Out of Frame OH Gasket Set	
				CTP3304005B	Inframe OH Set	
				CTP3304005C	Cylinder Head Repl. Gasket Set	
78P00001-78P09706	2P-6785	950 WHEEL LOADER	Turbocharged, Single Head	CTP3304016A	Out of Frame OH Gasket Set	
				CTP3304016B	Inframe OH Set	
				CTP3304016C	Cylinder Head Repl. Gasket Set	
78P05248-78P34853	4N-3799	D4E TRACTOR POWERSHIFT	Turbocharged, Single Head	CTP3304024A	Out of Frame OH Gasket Set	
				CTP3304024B	Inframe OH Set	
				CTP3304024C	Cylinder Head Repl. Gasket Set	

Prefix	Serial No.	Arrangement	Application	Comments	Part Number	Description
78P	78P07425-78P40899	4N-3801	941B TRAXCAVATOR	Turbocharged, Single Head	CTP3304014A	Out of Frame OH Gasket Set
					CTP3304014B	Inframe OH Set
					CTP3304014C	Cylinder Head Repl. Gasket Set
78P08215-78P22209	4N-3802	920 WHEEL LOADER	Turbocharged, Single Head	CTP3304009A	Out of Frame OH Gasket Set	
				CTP3304009B	Inframe OH Set	
				CTP3304009C	Cylinder Head Repl. Gasket Set	
78P22210-UP	4N-3803	D4E TRACTOR POWERSHIFT	Turbocharged, Single Head	CTP3304025A	Out of Frame OH Gasket Set	
				CTP3304025B	Inframe OH Set	
				CTP3304025C	Cylinder Head Repl. Gasket Set	
78P22210-UP	4N-3806	D4E TRACTOR POWERSHIFT	Turbocharged, Single Head	CTP3304026A	Out of Frame OH Gasket Set	
				CTP3304026B	Inframe OH Set	
				CTP3304026C	Cylinder Head Repl. Gasket Set	
78P05304-78P40899	4N-3807	930 WHEEL LOADER	Turbocharged, Single Head	CTP3304012A	Out of Frame OH Gasket Set	
				CTP3304012B	Inframe OH Set	
				CTP3304012C	Cylinder Head Repl. Gasket Set	
78P07425-78P40899	4N-3974	955L TRAXCAVATOR	Turbocharged, Single Head	CTP3304022A	Out of Frame OH Gasket Set	
				CTP3304022B	Inframe OH Set	
				CTP3304022C	Cylinder Head Repl. Gasket Set	
78P09707-78P40899	4N-3975	950 WHEEL LOADER	Turbocharged, Single Head	CTP3304017A	Out of Frame OH Gasket Set	
				CTP3304017B	Inframe OH Set	
				CTP3304017C	Cylinder Head Repl. Gasket Set	
78P11063-78P40899	4N-3976	518 SKIDDER	Turbocharged, Single Head	CTP3304006A	Out of Frame OH Gasket Set	
				CTP3304006B	Inframe OH Set	
				CTP3304006C	Cylinder Head Repl. Gasket Set	
78P40900-UP	7N-1515, 7N-1522, 7N-1516	920, 930 WHEEL LOADER, D4E TRACTOR POWERSHIFT	Turbocharged, Single Head	CTP3304010A	Out of Frame OH Gasket Set	
				CTP3304010B	Inframe OH Set	
				CTP3304010C	Cylinder Head Repl. Gasket Set	
78P40900-UP	7N-1517	D4E TRACTOR POWERSHIFT	Turbocharged, Single Head	CTP3304027A	Out of Frame OH Gasket Set	
				CTP3304027B	Inframe OH Set	
				CTP3304027C	Cylinder Head Repl. Gasket Set	
78P40900-UP	7N-1519	941B TRAXCAVATOR	Turbocharged, Single Head	CTP3304015A	Out of Frame OH Gasket Set	
				CTP3304015B	Inframe OH Set	
				CTP3304015C	Cylinder Head Repl. Gasket Set	
78P40900-UP	7N-1520	D4E TRACTOR POWERSHIFT	Turbocharged, Single Head	CTP3304028A	Out of Frame OH Gasket Set	
				CTP3304028B	Inframe OH Set	
				CTP3304028C	Cylinder Head Repl. Gasket Set	

Prefix	Serial No.	Arrangement	Application	Comments	Part Number	Description
78P	78P40900-UP	7N-1521	951C TRAXCA-VATOR	Turbocharged, Single Head	CTP3304020A	Out of Frame OH Gasket Set
					CTP3304020B	Inframe OH Set
					CTP3304020C	Cylinder Head Repl. Gasket Set
	78P47088-UP	7N-1523	518 SKIDDER	Turbocharged, Single Head	CTP3304007A	Out of Frame OH Gasket Set
					CTP3304007B	Inframe OH Set
					CTP3304007C	Cylinder Head Repl. Gasket Set
	78P40900-UP	7N-1524	955L TRAXCA-VATOR	Turbocharged, Single Head	CTP3304023A	Out of Frame OH Gasket Set
					CTP3304023B	Inframe OH Set
					CTP3304023C	Cylinder Head Repl. Gasket Set
	78P40900-UP	7N-1525	950 WHEEL LOADER	Turbocharged, Single Head	CTP3304018A	Out of Frame OH Gasket Set
					CTP3304018B	Inframe OH Set
					CTP3304018C	Cylinder Head Repl. Gasket Set
	78P01-UP	7N-1528	120G, 130G MOTOR GRADER	Turbocharged, Single Head	CTP3304002A	Out of Frame OH Gasket Set
					CTP3304002B	Inframe OH Set
					CTP3304002C	Cylinder Head Repl. Gasket Set
9CB	9CB01-UP	2Y-8609, 2Y-2007, 9Y-6295, 9Y-9510, 9Y-9510	D4E TRACK-TYPE TRACTOR, 930, 930R, 930T WHEEL LOADER	Turbocharged, Single Head	CTP3304037A	Out of Frame OH Gasket Set
					CTP3304037B	Inframe OH Set
					CTP3304037C	Cylinder Head Repl. Gasket Set

## 3306

Prefix	Serial No.	Arrangement	Application	Comments	Part Number	Description
03N	03N79763-UP		D5, D5B, 12F, 12G, 561C, 561D	Spacer Plated, Non Turbocharged, PC Engine	CTP3306003A	Out of Frame OH Gasket Set
					CTP3306003B	Inframe OH Set
					CTP3306003C	Cylinder Head Repl. Gasket Set
	03N79763-UP		D6D, D7G, 14E, 14G, 140G, 235, 528, 571F, 571G, 572F, 572G, 627, 627B	Spacer Plated Turbocharged PC Engine, *For Aftercooled Units Order 1 CTP-5P8772	CTP3306004A	Out of Frame OH Gasket Set
					CTP3306004B	Inframe OH Set
					CTP3306004C	Cylinder Head Repl. Gasket Set
	03N-79762		D5, D5B, D6C, D6D, 12F, 12G, 120, 561C, 561D	Non Spacer Plated PC Engine, Non Turbocharged *For Aftercooled Units Order 1 CTP-5P8772	CTP3306005A	Out of Frame OH Gasket Set
					CTP3306005B	Inframe OH Set
					CTP3306005C	Cylinder Head Repl. Gasket Set
	03N79763-UP		D5B, 12G, 12H, 561D	Spacer Plated DI Engine Non Turbocharged *For Aftercooled Units Order 1 CTP-5P8772	CTP3306007A	Out of Frame OH Gasket Set
					CTP3306007B	Inframe OH Set
					CTP3306007C	Cylinder Head Repl. Gasket Set

Prefix	Serial No.	Arrangement	Application	Comments	Part Number	Description
03N	03N01-UP		D6C	Non Spacer Plated Turbocharged, *For Aftercooled Units Order 1 CTP-5P8772	CTP3306010A	Out of Frame OH Gasket Set
					CTP3306010B	Inframe OH Set
					CTP3306010C	Cylinder Head Repl. Gasket Set
	03N -77760, 03N -79762		D6D, D7G, 571F, 571G, 572F, 572G	Non Spacer Plated Turbocharged, *For Aftercooled Units Order 1CTP-5P8772	CTP3306011A	Out of Frame OH Gasket Set
					CTP3306011B	Inframe OH Set
					CTP3306011C	Cylinder Head Repl. Gasket Set
	03N01-UP		627, 637, 980B	Non Spacer Plated Turbocharged PC Engine, *For Aftercooled Units Order 1-CTP-5P8772	CTP3306012A	Out of Frame OH Gasket Set
					CTP3306012B	Inframe OH Set
					CTP3306012C	Cylinder Head Repl. Gasket Set
	03N-79762		627, 627B	Non Spacer Plated Turbocharged PC Engine, *For Aftercooled Units Order 1-CTP-5P8772	CTP3306013A	Out of Frame OH Gasket Set
					CTP3306013B	Inframe OH Set
					CTP3306013C	Cylinder Head Repl. Gasket Set
	03N01-UP		14E, 140, 528	Non Spacer Plated Turbocharged PC Engine	CTP3306014A	Out of Frame OH Gasket Set
					CTP3306014B	Inframe OH Set
					CTP3306014C	Cylinder Head Repl. Gasket Set
	03N-79762		14E, 14G, 140G, 528	Non Spacer Plated Turbocharged PC Engine	CTP3306015A	Out of Frame OH Gasket Set
					CTP3306015B	Inframe OH Set
					CTP3306015C	Cylinder Head Repl. Gasket Set
	03N01-UP		980B	Spacer Plated Turbocharged PC Engine, *For Aftercooled Units Order 1-CTP-5P8772	CTP3306017A	Out of Frame OH Gasket Set
					CTP3306017B	Inframe OH Set
					CTP3306017C	Cylinder Head Repl. Gasket Set
	03N01-UP		814, 815, 816, 966C, 977K, 977L	Non Spacer Plated Turbocharged PC Engine *For Aftercooled Units Order 1-5P8772	CTP3306020A	Out of Frame OH Gasket Set
					CTP3306020B	Inframe OH Set
					CTP3306020C	Cylinder Head Repl. Gasket Set
03N-79762		814, 815, 816, 966C, 977K, 977L	Non Spacer Plated Turbocharged PC Engine, *For Aftercooled Units Order 1CTP-5P8772	CTP3306021A	Out of Frame OH Gasket Set	
				CTP3306021B	Inframe OH Set	
				CTP3306021C	Cylinder Head Repl. Gasket Set	
03N79763-UP		814, 815, 816, 966C, 966D, 977K, 977L	Spacer Plated Turbocharged PC Engine, *For Aftercooled Units Order 1-CTP-5P8772	CTP3306022A	Out of Frame OH Gasket Set	
				CTP3306022B	Inframe OH Set	
				CTP3306022C	Cylinder Head Repl. Gasket Set	

Prefix	Serial No.	Arrangement	Application	Comments	Part Number	Description
03N	03N79763-UP		D7G, D7H, 571F, 571G, 572F, 572G	Spacer Plated Turbocharged DI Engine	CTP3306024A	Out of Frame OH Gasket Set
					CTP3306024B	Inframe OH Set
					CTP3306024C	Cylinder Head Repl. Gasket Set
	03N01-UP	6A-3819, 7S-4456	D6, 814	Non Spacer Plated Turbocharged PC Engine	CTP3306040A	Out of Frame OH Gasket Set
					CTP3306040B	Inframe OH Set
					CTP3306040C	Cylinder Head Repl. Gasket Set
07Y	07Y291-UP		NATURAL GAS	NA & Turbocharged Spacer Plated, *For Units With Expansion Tanks Order 1-CTP-6V0621, *For Units With Long Valve Train, Order 1-CTP-8S1605 Additional Valve Cover Gasket	CTP3306028A	Out of Frame OH Gasket Set
					CTP3306028B	Inframe OH Set
					CTP3306028C	Cylinder Head Repl. Gasket Set
08Z	08Z01-UP		D6D, D6E, D6H, 12G, 12H, 14G, 140G, 528	Spacer Plated, Turbocharged *For Aftercooled Units Order 1 CTP-5P8772	CTP3306001A	Out of Frame OH Gasket Set
					CTP3306001B	Inframe OH Set
					CTP3306001C	Cylinder Head Repl. Gasket Set
	08Z01-UP		D5B, 12G, 12H, 561D	Spacer Plated DI Engine Non Turbocharged *For Aftercooled Units Order 1 CTP-5P8772	CTP3306007A	Out of Frame OH Gasket Set
					CTP3306007B	Inframe OH Set
					CTP3306007C	Cylinder Head Repl. Gasket Set
	08Z01-UP		814B, 815B, 816B, 966C, 966D, 966E, 966F, 970F	Spacer Plated Turbocharged DI Engine, *For Aftercooled Units Order 1-CTP-5P8772	CTP3306023A	Out of Frame OH Gasket Set
					CTP3306023B	Inframe OH Set
					CTP3306023C	Cylinder Head Repl. Gasket Set
	08Z01-UP		D7G, D7H, 571F, 571G, 572F, 572G	Spacer Plated Turbocharged DI Engine	CTP3306024A	Out of Frame OH Gasket Set
					CTP3306024B	Inframe OH Set
					CTP3306024C	Cylinder Head Repl. Gasket Set
	08Z33294-UP, 8Z33309-UP		627E	Spacer Plated Turbocharged DI Engine, *For Aftercooled Units Order 1-CTP-5P8772	CTP3306032A	Out of Frame OH Gasket Set
					CTP3306032B	Inframe OH Set
					CTP3306032C	Cylinder Head Repl. Gasket Set
	08Z01-UP		615, 627B, 627E, 627F, 637D	Spacer Plated, Turbocharged DI Engine *For Aftercooled Units Order 1-CTP-5P8772	CTP3306033A	Out of Frame OH Gasket Set
					CTP3306033B	Inframe OH Set
					CTP3306033C	Cylinder Head Repl. Gasket Set
08Z01-UP		235, 235B, 235C, 235D, 300BL, 350, 350L, E300, E300B, EL300, , EL300B	Spacer Plated Turbocharged DI Engine *For Aftercooled Units Order 1-CTP-5P8772	CTP3306034A	Out of Frame OH Gasket Set	
				CTP3306034B	Inframe OH Set	
				CTP3306034C	Cylinder Head Repl. Gasket Set	

Prefix	Serial No.	Arrangement	Application	Comments	Part Number	Description
08Z	08Z01-UP		CH65, CH65B, CH65C, CH65D	Spacer Plated Aftercooled DI Engine	CTP3306036A	Out of Frame OH Gasket Set
					CTP3306036B	Inframe OH Set
					CTP3306036C	Cylinder Head Repl. Gasket Set
	08Z01-UP	106-3145	966	Spacer Plated Turbocharged DI Engine *For Aftercooled Units Order 1-CTP-5P8772	CTP3306043A	Out of Frame OH Gasket Set
					CTP3306043B	Inframe OH Set
					CTP3306043C	Cylinder Head Repl. Gasket Set
	08Z86460-UP	122-4210	966	Spacer Plated Turbocharged DI Engine *For Aftercooled Units Order 1-CTP-5P8772	CTP3306045A	Out of Frame OH Gasket Set
					CTP3306045B	Inframe OH Set
					CTP3306045C	Cylinder Head Repl. Gasket Set
	08Z93450-UP	108-2450	D7	Turbocharged Engine	CTP3306052A	Out of Frame OH Gasket Set
					CTP3306052B	Inframe OH Set
					CTP3306052C	Cylinder Head Repl. Gasket Set
08Z68825-08Z73987	6I-2965	966	Spacer Plated Turbocharged DI Engine *For Aftercooled Units Order 1-CTP-5P8772	CTP3306046A	Out of Frame OH Gasket Set	
				CTP3306046B	Inframe OH Set	
				CTP3306046C	Cylinder Head Repl. Gasket Set	
08Z01-UP	7E-0082	950F	Turbocharged Engine	CTP3306095A	Out of Frame OH Gasket Set	
				CTP3306095B	Inframe OH Set	
				CTP3306095C	Cylinder Head Repl. Gasket Set	
10Z	10Z01-UP		D6D, D6E, D6H, 12G, 12H, 14G, 140G, 528	Spacer Plated, Turbocharged *For Aftercooled Units Order 1 CTP-5P8772	CTP3306001A	Out of Frame OH Gasket Set
					CTP3306001B	Inframe OH Set
					CTP3306001C	Cylinder Head Repl. Gasket Set
	10Z01-UP		D5B, 12G, 12H, 561D	Spacer Plated DI Engine Non Turbocharged *For Aftercooled Units Order 1 CTP-5P8772	CTP3306007A	Out of Frame OH Gasket Set
					CTP3306007B	Inframe OH Set
					CTP3306007C	Cylinder Head Repl. Gasket Set
	10Z01-UP		814B, 815B, 816B, 966C, 966D, 966E, 966F, 970F	Spacer Plated Turbocharged DI Engine, *For Aftercooled Units Order 1-CTP-5P8772	CTP3306023A	Out of Frame OH Gasket Set
					CTP3306023B	Inframe OH Set
					CTP3306023C	Cylinder Head Repl. Gasket Set
10Z9394-UP		235, 235B, 235C, 235D, 300BL, 350, 350L, E300, E300B, EL300, , EL300B	Spacer Plated Turbocharged DI Engine *For Aftercooled Units Order 1-CTP-5P8772	CTP3306034A	Out of Frame OH Gasket Set	
				CTP3306034B	Inframe OH Set	
				CTP3306034C	Cylinder Head Repl. Gasket Set	
10Z01-UP	7E-0082	950F	Turbocharged Engine	CTP3306095A	Out of Frame OH Gasket Set	
				CTP3306095B	Inframe OH Set	
				CTP3306095C	Cylinder Head Repl. Gasket Set	

Prefix	Serial No.	Arrangement	Application	Comments	Part Number	Description
12Z	12Z6564-UP		14E, 140, 528	Non Spacer Plated Turbocharged PC Engine	CTP3306014A	Out of Frame OH Gasket Set
					CTP3306014B	Inframe OH Set
					CTP3306014C	Cylinder Head Repl. Gasket Set
13Z	13Z01-UP		D6D, D6E, D6H, 12G, 12H, 14G, 140G, 528	Spacer Plated, Turbocharged *For Aftercooled Units Order 1 CTP-5P8772	CTP3306001A	Out of Frame OH Gasket Set
					CTP3306001B	Inframe OH Set
					CTP3306001C	Cylinder Head Repl. Gasket Set
13Z	13Z01-UP		D5B, 12G, 12H, 561D	Spacer Plated DI Engine Non Turbocharged *For Aftercooled Units Order 1 CTP-5P8772	CTP3306007A	Out of Frame OH Gasket Set
					CTP3306007B	Inframe OH Set
					CTP3306007C	Cylinder Head Repl. Gasket Set
13Z	13Z01-UP		814B, 815B, 816B, 966C, 966D, 966E, 966F, 970F	Spacer Plated Turbocharged DI Engine, *For Aftercooled Units Order 1-CTP-5P8772	CTP3306023A	Out of Frame OH Gasket Set
					CTP3306023B	Inframe OH Set
					CTP3306023C	Cylinder Head Repl. Gasket Set
13Z	13Z01-UP		D25C, D25D, D30C, D30D, D35C, D250B, D250E, D300B, D300D, D330E, D350C, D350D	Spacer Plated Turbocharged DI Engine, *For Aftercooled Units Order 1-CTP-5P8772	CTP3306029A	Out of Frame OH Gasket Set
					CTP3306029B	Inframe OH Set
					CTP3306029C	Cylinder Head Repl. Gasket Set
13Z	13Z01-UP		235, 235B, 235C, 235D, 300BL, 350, 350L, E300, E300B, EL300, , EL300B	Spacer Plated Turbocharged DI Engine *For Aftercooled Units Order 1-CTP-5P8772	CTP3306034A	Out of Frame OH Gasket Set
					CTP3306034B	Inframe OH Set
					CTP3306034C	Cylinder Head Repl. Gasket Set
13Z	13Z00943-UP		235, 970	Spacer Plated Turbocharged DI Engine *For Aftercooled Units Order 1-CTP-5P8772	CTP3306037A	Out of Frame OH Gasket Set
					CTP3306037B	Inframe OH Set
					CTP3306037C	Cylinder Head Repl. Gasket Set
13Z	13Z01-UP	147-1850	966G MACHINE	Spacer Plated Turbocharged DI Engine *For Aftercooled Units Order 1-CTP-5P8772	CTP3306041A	Out of Frame OH Gasket Set
					CTP3306041B	Inframe OH Set
					CTP3306041C	Cylinder Head Repl. Gasket Set
13Z	13Z30334-UP	106-3145	966	Spacer Plated Turbocharged DI Engine *For Aftercooled Units Order 1-CTP-5P8772	CTP3306044A	Out of Frame OH Gasket Set
					CTP3306044B	Inframe OH Set
					CTP3306044C	Cylinder Head Repl. Gasket Set
13Z	13Z27468-UP	9Y-4134	330 330	Turbocharged Engine	CTP3306048A	Out of Frame OH Gasket Set
					CTP3306048B	Inframe OH Set
					CTP3306048C	Cylinder Head Repl. Gasket Set

Prefix	Serial No.	Arrangement	Application	Comments	Part Number	Description
13Z	13Z01-UP	7E-0082	950F	Turbocharged Engine	CTP3306095A	Out of Frame OH Gasket Set
					CTP3306095B	Inframe OH Set
					CTP3306095C	Cylinder Head Repl. Gasket Set
1AF	1AF01-UP		D5B, 12G, 12H, 561D	Spacer Plated DI Engine Non Turbocharged *For Aftercooled Units Order 1 CTP-5P8772	CTP3306007A	Out of Frame OH Gasket Set
					CTP3306007B	Inframe OH Set
					CTP3306007C	Cylinder Head Repl. Gasket Set
1AF	1AF01-UP	5Y-1001, 7W-6847	621, D6 D6	Spacer Plated Turbocharged DI Engine *For Aftercooled Units Order 1-CTP-5P8772	CTP3306038A	Out of Frame OH Gasket Set
					CTP3306038B	Inframe OH Set
					CTP3306038C	Cylinder Head Repl. Gasket Set
1CZ	1CZ01-UP		INDUSTRIAL	Spacer Plated Turbocharged, *For Aftercooled Units Order 1 CTP-5P8772, For Units With Expansion Tanks Order 1 CTP-6V0621	CTP3306002A	Out of Frame OH Gasket Set
					CTP3306002B	Inframe OH Set
					CTP3306002C	Cylinder Head Repl. Gasket Set
2EL	2EL01-UP	9Y-4134	330 330	Turbocharged Engine	CTP3306048A	Out of Frame OH Gasket Set
					CTP3306048B	Inframe OH Set
					CTP3306048C	Cylinder Head Repl. Gasket Set
44V	44V22231-UP		D5, D5B, 12F, 12G, 561C, 561D	Spacer Plated, Non Turbocharged, PC Engine	CTP3306003A	Out of Frame OH Gasket Set
					CTP3306003B	Inframe OH Set
					CTP3306003C	Cylinder Head Repl. Gasket Set
44V	44V22287-UP, 44V22351-UP, 44V22403-UP		D6D, D7G, 14E, 14G, 140G, 235, 528, 571F, 571G, 572F, 572G, 627, 627B	Spacer Plated Turbocharged PC Engine, *For Aftercooled Units Order 1 CTP-5P8772	CTP3306004A	Out of Frame OH Gasket Set
					CTP3306004B	Inframe OH Set
					CTP3306004C	Cylinder Head Repl. Gasket Set
44V	44V1-22230, 44V1-22252		D5, D5B, D6C, D6D, 12F, 12G, 120, 561C, 561D	Non Spacer Plated PC Engine, Non Turbocharged *For Aftercooled Units Order 1 CTP-5P8772	CTP3306005A	Out of Frame OH Gasket Set
					CTP3306005B	Inframe OH Set
					CTP3306005C	Cylinder Head Repl. Gasket Set
44V	44V1-22286, 44V1-22350		D6D, D7G, 571F, 571G, 572F, 572G	Non Spacer Plated Turbocharged, *For Aftercooled Units Order 1CTP-5P8772	CTP3306011A	Out of Frame OH Gasket Set
					CTP3306011B	Inframe OH Set
					CTP3306011C	Cylinder Head Repl. Gasket Set
44V	44V22485-UP		814, 815, 816, 966C, 966D, 977K, 977L	Spacer Plated Turbocharged PC Engine, *For Aftercooled Units Order 1-CTP-5P8772	CTP3306022A	Out of Frame OH Gasket Set
					CTP3306022B	Inframe OH Set
					CTP3306022C	Cylinder Head Repl. Gasket Set



Prefix	Serial No.	Arrangement	Application	Comments	Part Number	Description
44V	44V11740-UP	7N-3601, 7N-3599, 7N-3602	D6, 966, 977	Non Spacer Plated Turbocharged PC Engine	CTP3306039A	Out of Frame OH Gasket Set
					CTP3306039B	Inframe OH Set
					CTP3306039C	Cylinder Head Repl. Gasket Set
47V	47V01-17093		D6D, D7G, 571F, 571G, 572F, 572G	Non Spacer Plated Turbocharged, *For Aftercooled Units Order 1CTP-5P8772	CTP3306011A	Out of Frame OH Gasket Set
					CTP3306011B	Inframe OH Set
					CTP3306011C	Cylinder Head Repl. Gasket Set
49V	49V01-UP		D6C	Non Spacer Plated Turbocharged, *For Aftercooled Units Order 1 CTP-5P8772	CTP3306010A	Out of Frame OH Gasket Set
					CTP3306010B	Inframe OH Set
					CTP3306010C	Cylinder Head Repl. Gasket Set
	49V01-UP		814, 815, 816, 966C, 977K, 977L	Non Spacer Plated Turbocharged PC Engine *For Aftercooled Units Order 1-5P8772	CTP3306020A	Out of Frame OH Gasket Set
					CTP3306020B	Inframe OH Set
					CTP3306020C	Cylinder Head Repl. Gasket Set
	49V01-24220		814, 815, 816, 966C, 977K, 977L	Non Spacer Plated Turbocharged PC Engine, *For Aftercooled Units Order 1CTP-5P8772	CTP3306021A	Out of Frame OH Gasket Set
					CTP3306021B	Inframe OH Set
					CTP3306021C	Cylinder Head Repl. Gasket Set
	49V01-UP 49V00001-UP	6A-3819, 7S-4456	D6, 814	Non Spacer Plated Turbocharged PC Engine	CTP3306040A	Out of Frame OH Gasket Set
					CTP3306040B	Inframe OH Set
					CTP3306040C	Cylinder Head Repl. Gasket Set
5JC	5JC01-UP		INDUSTRIAL	Spacer Plated Turbocharged, *For Aftercooled Units Order 1 CTP-5P8772, For Units With Expansion Tanks Order 1 CTP-6V0621	CTP3306002A	Out of Frame OH Gasket Set
					CTP3306002B	Inframe OH Set
					CTP3306002C	Cylinder Head Repl. Gasket Set
5KD	5KD01-UP		TRUCK	DI Engine Spacer Plate Turbocharged, *For After cooled Units Order 1 CTP-5P8772	CTP3306009A	Out of Frame OH Gasket Set
					CTP3306009B	Inframe OH Set
					CTP3306009C	Cylinder Head Repl. Gasket Set
	5KD01-UP		TRUCK	Spacer Plated Turbocharged DI Engine *For Aftercooled Units Order 1-CTP-5P8772	CTP3306035A	Out of Frame OH Gasket Set
					CTP3306035B	Inframe OH Set
					CTP3306035C	Cylinder Head Repl. Gasket Set
60Z	60Z01-UP		D5, D5B, D6C, D6D, 12F, 12G, 120, 561C, 561D	Non Spacer Plated PC Engine, Non Turbocharged *For Aftercooled Units Order 1 CTP-5P8772	CTP3306005A	Out of Frame OH Gasket Set
					CTP3306005B	Inframe OH Set
					CTP3306005C	Cylinder Head Repl. Gasket Set

Prefix	Serial No.	Arrangement	Application	Comments	Part Number	Description
62M	62M01-UP, MILITARY		INDUSTRIAL	Non Spacer Plated Turbocharged Or Non Turbocharged, *For Aftercooled Units Order 1-CTP-5P8772	CTP3306031A	Out of Frame OH Gasket Set
					CTP3306031B	Inframe OH Set
					CTP3306031C	Cylinder Head Repl. Gasket Set
62Z	62Z01 -UP		D6D, D7G, 14E, 14G, 140G, 235, 528, 571F, 571G, 572F, 572G, 627, 627B	Spacer Plated Turbocharged PC Engine, *For Aftercooled Units Order 1 CTP-5P8772	CTP3306004A	Out of Frame OH Gasket Set
					CTP3306004B	Inframe OH Set
					CTP3306004C	Cylinder Head Repl. Gasket Set
	62Z01 -UP		814, 815, 816, 966C, 977K, 977L	Non Spacer Plated Turbocharged PC Engine *For Aftercooled Units Order 1-5P8772	CTP3306020A	Out of Frame OH Gasket Set
					CTP3306020B	Inframe OH Set
					CTP3306020C	Cylinder Head Repl. Gasket Set
63Z	63Z01-UP		TRUCK	DI Engine Spacer Plate Turbocharged, *For After cooled Units Order 1 CTP-5P8772	CTP3306009A	Out of Frame OH Gasket Set
					CTP3306009B	Inframe OH Set
					CTP3306009C	Cylinder Head Repl. Gasket Set
	63Z01-UP		TRUCK	Spacer Plated Turbocharged DI Engine *For Aftercooled Units Order 1-CTP-5P8772	CTP3306035A	Out of Frame OH Gasket Set
					CTP3306035B	Inframe OH Set
					CTP3306035C	Cylinder Head Repl. Gasket Set
64Z	64Z01-UP		INDUSTRIAL	Spacer Plated Turbocharged, *For Aftercooled Units Order 1 CTP-5P8772, For Units With Expansion Tanks Order 1 CTP-6V0621	CTP3306002A	Out of Frame OH Gasket Set
					CTP3306002B	Inframe OH Set
					CTP3306002C	Cylinder Head Repl. Gasket Set
66D	66D12370-26831		STEIGER	Spacer Plated PC Engine Turbocharged *For Aftercooled Units Order 1-CTP-5P8772	CTP3306018A	Out of Frame OH Gasket Set
					CTP3306018B	Inframe OH Set
					CTP3306018C	Cylinder Head Repl. Gasket Set
	66D26831-UP		STEIGER	Non Spacer Plated PC Engine Turbocharged *For Aftercooled Units Order 1-CTP-5P8772	CTP3306019A	Out of Frame OH Gasket Set
					CTP3306019B	Inframe OH Set
					CTP3306019C	Cylinder Head Repl. Gasket Set
	66D01-UP		INDUSTRIAL	Spacer Plated Turbocharged Or Non Turbocharged, *For Aftercooled Units Order 1-CTP-5P8772 For Units With Expansion Tanks Order 1 CTP-6V0621	CTP3306030A	Out of Frame OH Gasket Set
					CTP3306030B	Inframe OH Set
					CTP3306030C	Cylinder Head Repl. Gasket Set

Prefix	Serial No.	Arrangement	Application	Comments	Part Number	Description	
66D	66D01-UP, MILITARY		INDUSTRIAL	Non Spacer Plated Turbocharged Or Non Turbocharged, *For Aftercooled Units Order 1-CTP-5P8772	CTP3306031A	Out of Frame OH Gasket Set	
					CTP3306031B	Inframe OH Set	
					CTP3306031C	Cylinder Head Repl. Gasket Set	
67D	67D1-2863		MARINE	Non Spacer Plated Turbocharged PC Engine	CTP3306025A	Out of Frame OH Gasket Set	
					CTP3306025B	Inframe OH Set	
					CTP3306025C	Cylinder Head Repl. Gasket Set	
	67D2864-UP		MARINE	Spacer Plated Turbocharged	CTP3306026A	Out of Frame OH Gasket Set	
					CTP3306026B	Inframe OH Set	
					CTP3306026C	Cylinder Head Repl. Gasket Set	
	67D01103- 67D01369	3N-3210	3306 MARINE	Marine Turbocharged Engine	CTP3306132A	Out of Frame OH Gasket Set	
					CTP3306132B	Inframe OH Set	
					CTP3306132C	Cylinder Head Repl. Gasket Set	
	67D01370- 67D02867	4N-4210	3306 MARINE	Marine Turbocharged Engine	CTP3306133A	Out of Frame OH Gasket Set	
					CTP3306133B	Inframe OH Set	
					CTP3306133C	Cylinder Head Repl. Gasket Set	
	67D01735- 67D02863	6N-5958	3306 MARINE	Marine Turbocharged Engine	CTP3306134A	Out of Frame OH Gasket Set	
					CTP3306134B	Inframe OH Set	
					CTP3306134C	Cylinder Head Repl. Gasket Set	
	67D02441- 67D04025	7N-3374	3306 MARINE	Marine Turbocharged Engine	CTP3306135A	Out of Frame OH Gasket Set	
					CTP3306135B	Inframe OH Set	
					CTP3306135C	Cylinder Head Repl. Gasket Set	
	67D02864- 67D04025	7N-3375	3306 MARINE	Marine Turbocharged Engine	CTP3306136A	Out of Frame OH Gasket Set	
					CTP3306136B	Inframe OH Set	
					CTP3306136C	Cylinder Head Repl. Gasket Set	
	6NC	6NC01-UP		814B, 815B, 816B, 966C, 966D, 966E, 966F, 970F	Spacer Plated Turbocharged DI Engine, *For Aftercooled Units Order 1-CTP-5P8772	CTP3306023A	Out of Frame OH Gasket Set
						CTP3306023B	Inframe OH Set
						CTP3306023C	Cylinder Head Repl. Gasket Set
		6NC01-UP		615, 627B, 627E, 627F, 637D	Spacer Plated, Turbocharged DI Engine *For Aftercooled Units Order 1-CTP-5P8772	CTP3306033A	Out of Frame OH Gasket Set
						CTP3306033B	Inframe OH Set
						CTP3306033C	Cylinder Head Repl. Gasket Set
6NC01-UP		102-4159	70	Turbocharged Engine	CTP3306091A	Out of Frame OH Gasket Set	
					CTP3306091B	Inframe OH Set	
					CTP3306091C	Cylinder Head Repl. Gasket Set	

Prefix	Serial No.	Arrangement	Application	Comments	Part Number	Description
6NC	6NC01-UP	106-3145	966	Spacer Plated Turbocharged DI Engine *For Aftercooled Units Order 1-CTP-5P8772	CTP3306043A	Out of Frame OH Gasket Set
					CTP3306043B	Inframe OH Set
					CTP3306043C	Cylinder Head Repl. Gasket Set
	6NC01-UP	106-3145	950F	Turbocharged Engine	CTP3306094A	Out of Frame OH Gasket Set
					CTP3306094B	Inframe OH Set
					CTP3306094C	Cylinder Head Repl. Gasket Set
	6NC01-UP	108-1073	D6R	Turbocharged Engine	CTP3306111A	Out of Frame OH Gasket Set
					CTP3306111B	Inframe OH Set
					CTP3306111C	Cylinder Head Repl. Gasket Set
	6NC01-UP	108-1076, 108-1078	D6 D6	Turbocharged Engine	CTP3306102A	Out of Frame OH Gasket Set
					CTP3306102B	Inframe OH Set
					CTP3306102C	Cylinder Head Repl. Gasket Set
	6NC01-UP	108-2447, 108-2449, 116-7574	D7	Turbocharged Engine	CTP3306112A	Out of Frame OH Gasket Set
					CTP3306112B	Inframe OH Set
					CTP3306112C	Cylinder Head Repl. Gasket Set
	6NC01-UP	108-2448	D7R	Turbocharged Engine	CTP3306118A	Out of Frame OH Gasket Set
					CTP3306118B	Inframe OH Set
					CTP3306118C	Cylinder Head Repl. Gasket Set
	6NC01-UP	108-2448	572R	Turbocharged Engine	CTP3306083A	Out of Frame OH Gasket Set
					CTP3306083B	Inframe OH Set
					CTP3306083C	Cylinder Head Repl. Gasket Set
	6NC01-UP	108-2450	D7	Turbocharged Engine	CTP3306052A	Out of Frame OH Gasket Set
					CTP3306052B	Inframe OH Set
					CTP3306052C	Cylinder Head Repl. Gasket Set
	6NC01-UP	110-1607, 110-1608, 111-8003, 116-7578, 123-7051, 124-4203, 127-8650, 146-4341, 2W-0819	12 , 140, 12H	Turbocharged Engine	CTP3306053A	Out of Frame OH Gasket Set
					CTP3306053B	Inframe OH Set
					CTP3306053C	Cylinder Head Repl. Gasket Set
6NC01-UP	110-1609	160H	Turbocharged Engine	CTP3306071A	Out of Frame OH Gasket Set	
				CTP3306071B	Inframe OH Set	
				CTP3306071C	Cylinder Head Repl. Gasket Set	
6NC01-UP	110-1610	163H	Turbocharged Engine	CTP3306073A	Out of Frame OH Gasket Set	
				CTP3306073B	Inframe OH Set	
				CTP3306073C	Cylinder Head Repl. Gasket Set	

Prefix	Serial No.	Arrangement	Application	Comments	Part Number	Description
6NC	6NC01-UP	110-5760	12H	Turbocharged Engine	CTP3306056A	Out of Frame OH Gasket Set
					CTP3306056B	Inframe OH Set
					CTP3306056C	Cylinder Head Repl. Gasket Set
	6NC01-UP	110-5761	14	Turbocharged Engine	CTP3306058A	Out of Frame OH Gasket Set
					CTP3306058B	Inframe OH Set
					CTP3306058C	Cylinder Head Repl. Gasket Set
	6NC01-UP	110-5770, 110-5771	D7R	Turbocharged Engine	CTP3306119A	Out of Frame OH Gasket Set
					CTP3306119B	Inframe OH Set
					CTP3306119C	Cylinder Head Repl. Gasket Set
	6NC01-UP	113-5380	D6H, D6R	Turbocharged Engine	CTP3306109A	Out of Frame OH Gasket Set
					CTP3306109B	Inframe OH Set
					CTP3306109C	Cylinder Head Repl. Gasket Set
	6NC01-UP	116-7557	627	Turbocharged Engine	CTP3306085A	Out of Frame OH Gasket Set
					CTP3306085B	Inframe OH Set
					CTP3306085C	Cylinder Head Repl. Gasket Set
	6NC01-UP	116-7568	330	Turbocharged Engine	CTP3306077A	Out of Frame OH Gasket Set
					CTP3306077B	Inframe OH Set
					CTP3306077C	Cylinder Head Repl. Gasket Set
	6NC01-UP	116-7581, 123-5838, 123-5841	D6	Turbocharged Engine	CTP3306103A	Out of Frame OH Gasket Set
					CTP3306103B	Inframe OH Set
					CTP3306103C	Cylinder Head Repl. Gasket Set
	6NC01-UP	122-4210	966	Spacer Plated Turbocharged DI Engine *For Aftercooled Units Order 1-CTP-5P8772	CTP3306045A	Out of Frame OH Gasket Set
					CTP3306045B	Inframe OH Set
					CTP3306045C	Cylinder Head Repl. Gasket Set
	6NC01-UP	122-4210	814F, 815F, 816F	Turbocharged Engine	CTP3306093A	Out of Frame OH Gasket Set
					CTP3306093B	Inframe OH Set
					CTP3306093C	Cylinder Head Repl. Gasket Set
	6NC01-UP	123-5840	D6	Turbocharged Engine	CTP3306104A	Out of Frame OH Gasket Set
					CTP3306104B	Inframe OH Set
					CTP3306104C	Cylinder Head Repl. Gasket Set
	6NC01-UP	125-1181	637	Turbocharged Engine	CTP3306088A	Out of Frame OH Gasket Set
					CTP3306088B	Inframe OH Set
					CTP3306088C	Cylinder Head Repl. Gasket Set
	6NC01-UP	125-3263	65	Turbocharged Engine	CTP3306090A	Out of Frame OH Gasket Set
					CTP3306090B	Inframe OH Set
					CTP3306090C	Cylinder Head Repl. Gasket Set

Prefix	Serial No.	Arrangement	Application	Comments	Part Number	Description
6NC	6NC01-UP	133-0826	966G, 972G	Turbocharged Engine	CTP3306097A	Out of Frame OH Gasket Set
					CTP3306097B	Inframe OH Set
					CTP3306097C	Cylinder Head Repl. Gasket Set
	6NC01-UP	133-0827	972G	Turbocharged Engine	CTP3306099A	Out of Frame OH Gasket Set
					CTP3306099B	Inframe OH Set
					CTP3306099C	Cylinder Head Repl. Gasket Set
	6NC01-UP	146-4338	143	Turbocharged Engine	CTP3306066A	Out of Frame OH Gasket Set
					CTP3306066B	Inframe OH Set
					CTP3306066C	Cylinder Head Repl. Gasket Set
	6NC01-UP	146-4340	140	Turbocharged Engine	CTP3306061A	Out of Frame OH Gasket Set
					CTP3306061B	Inframe OH Set
					CTP3306061C	Cylinder Head Repl. Gasket Set
	6NC01-UP	146-4342, 146-4336	12H, 140H, 143H	Turbocharged Engine	CTP3306057A	Out of Frame OH Gasket Set
					CTP3306057B	Inframe OH Set
					CTP3306057C	Cylinder Head Repl. Gasket Set
	6NC01-UP	146-4344	160G	Turbocharged Engine	CTP3306064A	Out of Frame OH Gasket Set
					CTP3306064B	Inframe OH Set
					CTP3306064C	Cylinder Head Repl. Gasket Set
	6NC01-UP	146-4345	163H	Turbocharged Engine	CTP3306072A	Out of Frame OH Gasket Set
					CTP3306072B	Inframe OH Set
					CTP3306072C	Cylinder Head Repl. Gasket Set
	6NC01-UP	146-4346	14	Turbocharged Engine	CTP3306059A	Out of Frame OH Gasket Set
					CTP3306059B	Inframe OH Set
					CTP3306059C	Cylinder Head Repl. Gasket Set
	6NC01-UP	146-4347	14H	Turbocharged Engine	CTP3306069A	Out of Frame OH Gasket Set
					CTP3306069B	Inframe OH Set
					CTP3306069C	Cylinder Head Repl. Gasket Set
	6NC01196-UP	146-6725	545	Turbocharged Engine	CTP3306080A	Out of Frame OH Gasket Set
					CTP3306080B	Inframe OH Set
					CTP3306080C	Cylinder Head Repl. Gasket Set
	6NC01-UP	147-1305	R1300	Turbocharged Engine	CTP3306120A	Out of Frame OH Gasket Set
					CTP3306120B	Inframe OH Set
					CTP3306120C	Cylinder Head Repl. Gasket Set
	6NC03455-UP	151-5309	D5	Turbocharged Engine	CTP3306101A	Out of Frame OH Gasket Set
					CTP3306101B	Inframe OH Set
					CTP3306101C	Cylinder Head Repl. Gasket Set

Prefix	Serial No.	Arrangement	Application	Comments	Part Number	Description
6NC	6NC01-UP	151-5311	D6D, D6G	Turbocharged Engine	CTP3306108A	Out of Frame OH Gasket Set
					CTP3306108B	Inframe OH Set
					CTP3306108C	Cylinder Head Repl. Gasket Set
	6NC01-UP	164-0729	627F, 627G	Turbocharged Engine	CTP3306087A	Out of Frame OH Gasket Set
					CTP3306087B	Inframe OH Set
					CTP3306087C	Cylinder Head Repl. Gasket Set
	6NC01-UP	1W-0543	D7	Turbocharged Engine	CTP3306113A	Out of Frame OH Gasket Set
					CTP3306113B	Inframe OH Set
					CTP3306113C	Cylinder Head Repl. Gasket Set
	6NC01-UP	1W-0544	572, 572G	Turbocharged Engine	CTP3306082A	Out of Frame OH Gasket Set
					CTP3306082B	Inframe OH Set
					CTP3306082C	Cylinder Head Repl. Gasket Set
	6NC01-UP	1W-1346	637D, 637E, 639D	Turbocharged Engine	CTP3306089A	Out of Frame OH Gasket Set
					CTP3306089B	Inframe OH Set
					CTP3306089C	Cylinder Head Repl. Gasket Set
	6NC01-UP	1W-2630	D6	Turbocharged Engine	CTP3306105A	Out of Frame OH Gasket Set
					CTP3306105B	Inframe OH Set
					CTP3306105C	Cylinder Head Repl. Gasket Set
	6NC01-UP	1W-3225	627E, 627F, 627G	Turbocharged Engine	CTP3306086A	Out of Frame OH Gasket Set
					CTP3306086B	Inframe OH Set
					CTP3306086C	Cylinder Head Repl. Gasket Set
	6NC01-UP	1W-3231, 4P-4730, 9Y-2640	615, 637	Turbocharged Engine	CTP3306084A	Out of Frame OH Gasket Set
					CTP3306084B	Inframe OH Set
					CTP3306084C	Cylinder Head Repl. Gasket Set
	6NC01-UP	2W-0818	14	Turbocharged Engine	CTP3306065A	Out of Frame OH Gasket Set
					CTP3306065B	Inframe OH Set
					CTP3306065C	Cylinder Head Repl. Gasket Set
	6NC01-UP	2W-0819	12	Turbocharged Engine	CTP3306054A	Out of Frame OH Gasket Set
					CTP3306054B	Inframe OH Set
					CTP3306054C	Cylinder Head Repl. Gasket Set
	6NC01-UP	2W-0819	140	Turbocharged Engine	CTP3306062A	Out of Frame OH Gasket Set
					CTP3306062B	Inframe OH Set
					CTP3306062C	Cylinder Head Repl. Gasket Set
	6NC01-UP	2W-0820	12G, 140G	Turbocharged Engine	CTP3306055A	Out of Frame OH Gasket Set
					CTP3306055B	Inframe OH Set
					CTP3306055C	Cylinder Head Repl. Gasket Set

Prefix	Serial No.	Arrangement	Application	Comments	Part Number	Description
6NC	6NC01-UP	4P-2971	D6	Turbocharged Engine	CTP3306106A	Out of Frame OH Gasket Set
					CTP3306106B	Inframe OH Set
					CTP3306106C	Cylinder Head Repl. Gasket Set
	6NC01-UP	4P-2973	D6	Turbocharged Engine	CTP3306107A	Out of Frame OH Gasket Set
					CTP3306107B	Inframe OH Set
					CTP3306107C	Cylinder Head Repl. Gasket Set
	6NC01-UP	4P-5558	528, 530	Turbocharged Engine	CTP3306079A	Out of Frame OH Gasket Set
					CTP3306079B	Inframe OH Set
					CTP3306079C	Cylinder Head Repl. Gasket Set
	6NC01-UP	4P-7467	235	Turbocharged Engine	CTP3306074A	Out of Frame OH Gasket Set
					CTP3306074B	Inframe OH Set
					CTP3306074C	Cylinder Head Repl. Gasket Set
	6NC01-UP	5R-7776, 5R-7956	D7G	Turbocharged Engine	CTP3306117A	Out of Frame OH Gasket Set
					CTP3306117B	Inframe OH Set
					CTP3306117C	Cylinder Head Repl. Gasket Set
	6NC01-UP	6I-2027	970	Turbocharged Engine	CTP3306098A	Out of Frame OH Gasket Set
					CTP3306098B	Inframe OH Set
					CTP3306098C	Cylinder Head Repl. Gasket Set
	6NC01-UP	6I-2095, 6I-2096, 7C-0501	D6H	Turbocharged Engine	CTP3306110A	Out of Frame OH Gasket Set
					CTP3306110B	Inframe OH Set
					CTP3306110C	Cylinder Head Repl. Gasket Set
	6NC01-UP	6I-2099	D7	Turbocharged Engine	CTP3306114A	Out of Frame OH Gasket Set
					CTP3306114B	Inframe OH Set
					CTP3306114C	Cylinder Head Repl. Gasket Set
	6NC01-UP	7E-0082	950F	Turbocharged Engine	CTP3306095A	Out of Frame OH Gasket Set
					CTP3306095B	Inframe OH Set
					CTP3306095C	Cylinder Head Repl. Gasket Set
	6NC01-UP	7C-2032	D7	Turbocharged Engine	CTP3306115A	Out of Frame OH Gasket Set
					CTP3306115B	Inframe OH Set
					CTP3306115C	Cylinder Head Repl. Gasket Set
	6NC01-UP	7C-3430	160G	Turbocharged Engine	CTP3306070A	Out of Frame OH Gasket Set
					CTP3306070B	Inframe OH Set
					CTP3306070C	Cylinder Head Repl. Gasket Set
	6NC01-UP	7C-4427, 111-8004	140, 143	Turbocharged Engine	CTP3306063A	Out of Frame OH Gasket Set
					CTP3306063B	Inframe OH Set
					CTP3306063C	Cylinder Head Repl. Gasket Set

Prefix	Serial No.	Arrangement	Application	Comments	Part Number	Description
6NC	6NC01-UP	7C-8613, 7C-8394	143, 163H	Turbocharged Engine	CTP3306067A	Out of Frame OH Gasket Set
					CTP3306067B	Inframe OH Set
					CTP3306067C	Cylinder Head Repl. Gasket Set
	6NC01-UP	7E-9949, 146-4337	14 , 143, 140H	Turbocharged Engine	CTP3306060A	Out of Frame OH Gasket Set
					CTP3306060B	Inframe OH Set
					CTP3306060C	Cylinder Head Repl. Gasket Set
	6NC01-UP	7N-1291	235	Turbocharged Engine	CTP3306075A	Out of Frame OH Gasket Set
					CTP3306075B	Inframe OH Set
					CTP3306075C	Cylinder Head Repl. Gasket Set
	6NC00014-UP	7N-2740	D7, D7H	Turbocharged Engine	CTP3306116A	Out of Frame OH Gasket Set
					CTP3306116B	Inframe OH Set
					CTP3306116C	Cylinder Head Repl. Gasket Set
	6NC01-UP	7N-4980	561, 561D, D5, D5B	Turbocharged Engine	CTP3306081A	Out of Frame OH Gasket Set
					CTP3306081B	Inframe OH Set
					CTP3306081C	Cylinder Head Repl. Gasket Set
	6NC01-UP	7N-5106	973	Turbocharged Engine	CTP3306100A	Out of Frame OH Gasket Set
					CTP3306100B	Inframe OH Set
					CTP3306100C	Cylinder Head Repl. Gasket Set
	6NC01-UP	7W-4102	14G	Turbocharged Engine	CTP3306068A	Out of Frame OH Gasket Set
					CTP3306068B	Inframe OH Set
					CTP3306068C	Cylinder Head Repl. Gasket Set
	6NC01-UP	9Y-0032	235, 235C	Turbocharged Engine	CTP3306076A	Out of Frame OH Gasket Set
					CTP3306076B	Inframe OH Set
					CTP3306076C	Cylinder Head Repl. Gasket Set
	6NC01-UP	9Y-1719	966	Turbocharged Engine	CTP3306096A	Out of Frame OH Gasket Set
					CTP3306096B	Inframe OH Set
					CTP3306096C	Cylinder Head Repl. Gasket Set
	6NC01-UP	9Y-4134	330	Turbocharged Engine	CTP3306078A	Out of Frame OH Gasket Set
					CTP3306078B	Inframe OH Set
					CTP3306078C	Cylinder Head Repl. Gasket Set
6NC01-UP	9Y-4951	814, 815, 816	Turbocharged Engine	CTP3306092A	Out of Frame OH Gasket Set	
				CTP3306092B	Inframe OH Set	
				CTP3306092C	Cylinder Head Repl. Gasket Set	
6PK	6PK01-UP	INDUSTRIAL	Spacer Plated Turbocharged, *For Aftercooled Units Order 1 CTP-5P8772, For Units With Expansion Tanks Order 1 CTP-6V0621	CTP3306002A	Out of Frame OH Gasket Set	
				CTP3306002B	Inframe OH Set	
				CTP3306002C	Cylinder Head Repl. Gasket Set	

Prefix	Serial No.	Arrangement	Application	Comments	Part Number	Description
76R	76R273-UP		TRUCK	Spacer Plate PC Engine Turbocharged, *For After cooled Units Order 1 CTP-5P8772	CTP3306008A	Out of Frame OH Gasket Set
					CTP3306008B	Inframe OH Set
					CTP3306008C	Cylinder Head Repl. Gasket Set
7JB	7JB01-UP		INDUSTRIAL	Spacer Plated Turbocharged, *For Aftercooled Units Order 1 CTP-5P8772, For Units With Expansion Tanks Order 1 CTP-6V0621	CTP3306002A	Out of Frame OH Gasket Set
					CTP3306002B	Inframe OH Set
					CTP3306002C	Cylinder Head Repl. Gasket Set
7JB01-UP	7JB01-UP		D25C, D25D, D30C, D30D, D35C, D250B, D250E, D300B, D300D, D330E, D350C, D350D	Spacer Plated Turbocharged DI Engine, *For Aftercooled Units Order 1-CTP-5P8772	CTP3306029A	Out of Frame OH Gasket Set
					CTP3306029B	Inframe OH Set
					CTP3306029C	Cylinder Head Repl. Gasket Set
7RJ	7RJ01-UP		TRUCK	Spacer Plated Turbocharged DI Engine *For Aftercooled Units Order 1-CTP-5P8772	CTP3306035A	Out of Frame OH Gasket Set
					CTP3306035B	Inframe OH Set
					CTP3306035C	Cylinder Head Repl. Gasket Set
7RJ01-UP	4P9855	TRUCK		Spacer Plated Turbocharged DI Engine *For Aftercooled Units Order 1-CTP-5P8772	CTP3306042A	Out of Frame OH Gasket Set
					CTP3306042B	Inframe OH Set
					CTP3306042C	Cylinder Head Repl. Gasket Set
84Z1-UP	84Z01-UP		MARINE	Spacer Plated Turbocharged	CTP3306027A	Out of Frame OH Gasket Set
					CTP3306027B	Inframe OH Set
					CTP3306027C	Cylinder Head Repl. Gasket Set
85Z	85Z01-UP		INDUSTRIAL	Spacer Plated Turbocharged, *For Aftercooled Units Order 1 CTP-5P8772, For Units With Expansion Tanks Order 1 CTP-6V0621	CTP3306002A	Out of Frame OH Gasket Set
					CTP3306002B	Inframe OH Set
					CTP3306002C	Cylinder Head Repl. Gasket Set
85Z	85Z11355-UP	108-2861, 108-2862	GENERATOR	Turbocharged Engine	CTP3306049A	Out of Frame OH Gasket Set
					CTP3306049B	Inframe OH Set
					CTP3306049C	Cylinder Head Repl. Gasket Set
85Z12733-UP	126-2412		G3306B	Natural Gas Engine	CTP3306050A	Out of Frame OH Gasket Set
					CTP3306050B	Inframe OH Set
					CTP3306050C	Cylinder Head Repl. Gasket Set

Prefix	Serial No.	Arrangement	Application	Comments	Part Number	Description
8JJ-UP	8JJ01-UP		INDUSTRIAL	Spacer Plated Turbocharged, *For Aftercooled Units Order 1 CTP-5P8772, For Units With Expansion Tanks Order 1 CTP-6V0621	CTP3306002A	Out of Frame OH Gasket Set
					CTP3306002B	Inframe OH Set
					CTP3306002C	Cylinder Head Repl. Gasket Set
8TD	8TD01-UP		D6D, D6E, D6H, 12G, 12H, 14G, 140G, 528	Spacer Plated, Turbocharged *For Aftercooled Units Order 1 CTP-5P8772	CTP3306001A	Out of Frame OH Gasket Set
					CTP3306001B	Inframe OH Set
					CTP3306001C	Cylinder Head Repl. Gasket Set
	8TD01-UP		814B, 815B, 816B, 966C, 966D, 966E, 966F, 970F	Spacer Plated Turbocharged DI Engine, *For Aftercooled Units Order 1-CTP-5P8772	CTP3306023A	Out of Frame OH Gasket Set
					CTP3306023B	Inframe OH Set
					CTP3306023C	Cylinder Head Repl. Gasket Set
9TL	9TL01-UP		TRUCK	Spacer Plated Turbocharged DI Engine *For Aftercooled Units Order 1-CTP-5P8772	CTP3306035A	Out of Frame OH Gasket Set
					CTP3306035B	Inframe OH Set
					CTP3306035C	Cylinder Head Repl. Gasket Set
R6J	R6J01-UP	7E-0082	950F, 966F	Turbocharged Engine	CTP3306126A	Out of Frame OH Gasket Set
					CTP3306126B	Inframe OH Set
					CTP3306126C	Cylinder Head Repl. Gasket Set
	R6J01-UP	108-1073	D6R	Turbocharged Engine	CTP3306129A	Out of Frame OH Gasket Set
					CTP3306129B	Inframe OH Set
					CTP3306129C	Cylinder Head Repl. Gasket Set
	R6J01-UP	108-2448	572R	Turbocharged Engine	CTP3306125A	Out of Frame OH Gasket Set
					CTP3306125B	Inframe OH Set
					CTP3306125C	Cylinder Head Repl. Gasket Set
	R6J01-UP	108-2448	D7R	Turbocharged Engine	CTP3306130A	Out of Frame OH Gasket Set
					CTP3306130B	Inframe OH Set
					CTP3306130C	Cylinder Head Repl. Gasket Set
	R6J01-UP	133-0826	966G, 972G	Turbocharged Engine	CTP3306127A	Out of Frame OH Gasket Set
					CTP3306127B	Inframe OH Set
					CTP3306127C	Cylinder Head Repl. Gasket Set
	R6J01-UP	133-0827	972G	Turbocharged Engine	CTP3306128A	Out of Frame OH Gasket Set
					CTP3306128B	Inframe OH Set
					CTP3306128C	Cylinder Head Repl. Gasket Set

Prefix	Serial No.	Arrangement	Application	Comments	Part Number	Description
R6J	R6J01-UP	146-4337	140H	Turbocharged Engine	CTP3306122A	Out of Frame OH Gasket Set
					CTP3306122B	Inframe OH Set
					CTP3306122C	Cylinder Head Repl. Gasket Set
	R6J01-UP	146-4342	12H	Turbocharged Engine	CTP3306121A	Out of Frame OH Gasket Set
					CTP3306121B	Inframe OH Set
					CTP3306121C	Cylinder Head Repl. Gasket Set
	R6J01-UP	147-1305	R1300	Turbocharged Engine	CTP3306131A	Out of Frame OH Gasket Set
					CTP3306131B	Inframe OH Set
					CTP3306131C	Cylinder Head Repl. Gasket Set
	R6J01-UP	164-0729	627F, 627G	Turbocharged Engine	CTP3306087A	Out of Frame OH Gasket Set
					CTP3306087B	Inframe OH Set
					CTP3306087C	Cylinder Head Repl. Gasket Set
	R6J01-UP	269-6940	160H	Turbocharged Engine	CTP3306124A	Out of Frame OH Gasket Set
					CTP3306124B	Inframe OH Set
					CTP3306124C	Cylinder Head Repl. Gasket Set
	R6J01-UP	6I-2965	966F	Spacer Plated Turbocharged DI Engine *For Aftercooled Units Order 1-CTP-5P8772	CTP3306047A	Out of Frame OH Gasket Set
					CTP3306047B	Inframe OH Set
					CTP3306047C	Cylinder Head Repl. Gasket Set
R6J01-UP	7E-0082	950F	Turbocharged Engine	CTP3306095A	Out of Frame OH Gasket Set	
				CTP3306095B	Inframe OH Set	
				CTP3306095C	Cylinder Head Repl. Gasket Set	
R6J01-UP	7W-4102	14G	Turbocharged Engine	CTP3306123A	Out of Frame OH Gasket Set	
				CTP3306123B	Inframe OH Set	
				CTP3306123C	Cylinder Head Repl. Gasket Set	
R6S	R6S01-UP	329-9619, 398-4792	GAS GENERATOR, G3306B	Natural Gas Engine	CTP3306051A	Out of Frame OH Gasket Set
					CTP3306051B	Inframe OH Set
					CTP3306051C	Cylinder Head Repl. Gasket Set
RJ2	RJ201-UP	329-9619, 398-4792	GAS GENERATOR, G3306B	Natural Gas Engine	CTP3306051A	Out of Frame OH Gasket Set
					CTP3306051B	Inframe OH Set
					CTP3306051C	Cylinder Head Repl. Gasket Set
SG4	SG401-UP	329-9619, 398-4792	GAS GENERATOR, G3306B	Natural Gas Engine	CTP3306051A	Out of Frame OH Gasket Set
					CTP3306051B	Inframe OH Set
					CTP3306051C	Cylinder Head Repl. Gasket Set

Prefix	Serial No.	Arrangement	Application	Comments	Part Number	Description
11N	11N01-1475	980C		Turbocharged, Single Head	CTP3406002A	Out of Frame OH Gasket Set
					CTP3406002B	Inframe OH Set
					CTP3406002C	Cylinder Head Repl. Gasket Set
	11N7050-UP	D8N		Aftercooled With 19 Bolt Flywheel Housing	CTP3406005A	Out of Frame OH Gasket Set
					CTP3406005B	Inframe OH Set
					CTP3406005C	Cylinder Head Repl. Gasket Set
	11N01-UP	824C, 825C, 826C, 980F		Spacer Plated, Turbocharged, Non Aftercooled, With 19 Bolt Flywheel Housing	CTP3406006A	Out of Frame OH Gasket Set
					CTP3406006B	Inframe OH Set
					CTP3406006C	Cylinder Head Repl. Gasket Set
	11N01-UP	824C, 825C, 826C, 980F, 980G		Spacer Plated, Turbocharged, Aftercooled, With 24 Bolt Flywheel Housing	CTP3406007A	Out of Frame OH Gasket Set
					CTP3406007B	Inframe OH Set
					CTP3406007C	Cylinder Head Repl. Gasket Set
	11N1449-UP	16G, 16H		DITA With 24 Bolt Flywheel Housing	CTP3406008A	Out of Frame OH Gasket Set
					CTP3406008B	Inframe OH Set
					CTP3406008C	Cylinder Head Repl. Gasket Set
	11N12940-UP	D8N, D8R		Aftercooled With 24 Bolt Flywheel Housing	CTP3406009A	Out of Frame OH Gasket Set
					CTP3406009B	Inframe OH Set
					CTP3406009C	Cylinder Head Repl. Gasket Set
	11N01-UP	245B, 245D		Spacer Plated Turbocharged Aftercooled Turbocharged With 19 Bolt Flywheel Housing	CTP3406020A	Out of Frame OH Gasket Set
					CTP3406020B	Inframe OH Set
					CTP3406020C	Cylinder Head Repl. Gasket Set
	11N01-UP	621E, 623E, 627E, 627F		Spacer Plated Turbocharged Non Aftercooled With 19 Bolt Flywheel Housing	CTP3406024A	Out of Frame OH Gasket Set
					CTP3406024B	Inframe OH Set
					CTP3406024C	Cylinder Head Repl. Gasket Set
	11N7400-UP	621F, 623F		Spacer Plated Turbocharged Engine With 24 Bolt Flywheel Housing	CTP3406027A	Out of Frame OH Gasket Set
					CTP3406027B	Inframe OH Set
					CTP3406027C	Cylinder Head Repl. Gasket Set
	11N4939-UP	9Y-5555	D8N	Turbocharged, Single Head	CTP3406298A	Out of Frame OH Gasket Set
					CTP3406298B	Inframe OH Set
					CTP3406098C	Cylinder Head Repl. Gasket Set
	1DZ	1DZ01-UP	INDUSTRIAL	Aftercooled Turbocharged With 19 Bolt Flywheel Housing	CTP3406030A	Out of Frame OH Gasket Set
					CTP3406030B	Inframe OH Set
					CTP3406030C	Cylinder Head Repl. Gasket Set

Prefix	Serial No.	Arrangement	Application	Comments	Part Number	Description	
1DZ	1DZ01-UP	150-2982	3406	Turbocharged, Single Head	CTP3406299A	Out of Frame OH Gasket Set	
					CTP3406299B	Inframe OH Set	
					CTP3406299C	Cylinder Head Repl. Gasket Set	
1LW	1LW01-UP		TRUCK	Spacer Plated Turbocharged Engine With 24 Bolt Flywheel Housing	CTP3406028A	Out of Frame OH Gasket Set	
					CTP3406028B	Inframe OH Set	
					CTP3406028C	Cylinder Head Repl. Gasket Set	
	1LW00333-UP	152-9983	3406E TRUCK ENGINE		Turbocharged, Single Head	CTP3406049A	Out of Frame OH Gasket Set
						CTP3406049B	Inframe OH Set
						CTP3406049C	Cylinder Head Repl. Gasket Set
	1LW00333-UP	152-9984, 155-3435	3406E TRUCK ENGINE		Turbocharged, Single Head	CTP3406050A	Out of Frame OH Gasket Set
						CTP3406050B	Inframe OH Set
						CTP3406050C	Cylinder Head Repl. Gasket Set
	1LW00333-UP	152-9985	3406E TRUCK ENGINE		Turbocharged, Single Head	CTP3406052A	Out of Frame OH Gasket Set
						CTP3406052B	Inframe OH Set
						CTP3406052C	Cylinder Head Repl. Gasket Set
	1LW00333-UP	152-9986, 153-5778, 155-3203	3406E TRUCK ENGINE		Turbocharged, Single Head	CTP3406053A	Out of Frame OH Gasket Set
						CTP3406053B	Inframe OH Set
						CTP3406053C	Cylinder Head Repl. Gasket Set
	1LW00333-UP	152-9989, 153-5779, 154-0947, 154-1000	3406E TRUCK ENGINE		Turbocharged, Single Head	CTP3406054A	Out of Frame OH Gasket Set
						CTP3406054B	Inframe OH Set
						CTP3406054C	Cylinder Head Repl. Gasket Set
	1LW04714-UP	153-5781	3406E TRUCK ENGINE		Turbocharged, Single Head	CTP3406055A	Out of Frame OH Gasket Set
						CTP3406055B	Inframe OH Set
						CTP3406055C	Cylinder Head Repl. Gasket Set
	1LW00333-UP	153-5795	3406E TRUCK ENGINE		Turbocharged, Single Head	CTP3406056A	Out of Frame OH Gasket Set
						CTP3406056B	Inframe OH Set
						CTP3406056C	Cylinder Head Repl. Gasket Set
	1LW00333-UP	153-5796, 155-3209, 155-3220	3406E TRUCK ENGINE		Turbocharged, Single Head	CTP3406057A	Out of Frame OH Gasket Set
						CTP3406057B	Inframe OH Set
						CTP3406057C	Cylinder Head Repl. Gasket Set
	1LW00230-UP	153-5861, 155-3230, 155-3260, 155-3266	3406E TRUCK ENGINE		Turbocharged, Single Head	CTP3406058A	Out of Frame OH Gasket Set
						CTP3406058B	Inframe OH Set
						CTP3406058C	Cylinder Head Repl. Gasket Set
	1LW00333-UP	154-1133	3406E TRUCK ENGINE		Turbocharged, Single Head	CTP3406059A	Out of Frame OH Gasket Set
						CTP3406059B	Inframe OH Set
						CTP3406059C	Cylinder Head Repl. Gasket Set

Prefix	Serial No.	Arrangement	Application	Comments	Part Number	Description
1LW	1LW00333-UP	155-3208	3406E TRUCK ENGINE	Turbocharged, Single Head	CTP3406060A	Out of Frame OH Gasket Set
					CTP3406060B	Inframe OH Set
					CTP3406060C	Cylinder Head Repl. Gasket Set
	1LW00333-UP	155-3210	3406E TRUCK ENGINE	Turbocharged, Single Head	CTP3406062A	Out of Frame OH Gasket Set
					CTP3406062B	Inframe OH Set
					CTP3406062C	Cylinder Head Repl. Gasket Set
	1LW00333-UP	155-3211	3406E TRUCK ENGINE	Turbocharged, Single Head	CTP3406063A	Out of Frame OH Gasket Set
					CTP3406063B	Inframe OH Set
					CTP3406063C	Cylinder Head Repl. Gasket Set
	1LW00333-UP	155-3212, 155-3213, 155-3215, 155-3223	3406E TRUCK ENGINE	Turbocharged, Single Head	CTP3406064A	Out of Frame OH Gasket Set
					CTP3406064B	Inframe OH Set
					CTP3406064C	Cylinder Head Repl. Gasket Set
	1LW00333-UP	155-3214, 158-5160	3406E TRUCK ENGINE	Turbocharged, Single Head	CTP3406065A	Out of Frame OH Gasket Set
					CTP3406065B	Inframe OH Set
					CTP3406065C	Cylinder Head Repl. Gasket Set
	1LW00333-UP	155-3216	3406E TRUCK ENGINE	Turbocharged, Single Head	CTP3406066A	Out of Frame OH Gasket Set
					CTP3406066B	Inframe OH Set
					CTP3406066C	Cylinder Head Repl. Gasket Set
	1LW00333-UP	155-3224	3406E TRUCK ENGINE	Turbocharged, Single Head	CTP3406067A	Out of Frame OH Gasket Set
					CTP3406067B	Inframe OH Set
					CTP3406067C	Cylinder Head Repl. Gasket Set
	1LW00333-UP	155-3225, 158-5134, 158-5151, 158-5161	3406E TRUCK ENGINE	Turbocharged, Single Head	CTP3406068A	Out of Frame OH Gasket Set
					CTP3406068B	Inframe OH Set
					CTP3406068C	Cylinder Head Repl. Gasket Set
	1LW00333-UP	155-3226	3406E TRUCK ENGINE	Turbocharged, Single Head	CTP3406069A	Out of Frame OH Gasket Set
					CTP3406069B	Inframe OH Set
					CTP3406069C	Cylinder Head Repl. Gasket Set
	1LW00333-UP	155-3227, 155-3228, 155-3229, 155-3231	3406E TRUCK ENGINE	Turbocharged, Single Head	CTP3406070A	Out of Frame OH Gasket Set
					CTP3406070B	Inframe OH Set
					CTP3406070C	Cylinder Head Repl. Gasket Set
	1LW00333-UP	155-3246, 155-3252, 155-3253, 155-3285	3406E TRUCK ENGINE	Turbocharged, Single Head	CTP3406071A	Out of Frame OH Gasket Set
					CTP3406071B	Inframe OH Set
					CTP3406071C	Cylinder Head Repl. Gasket Set
1LW00230-UP	155-3262	3406E TRUCK ENGINE	Turbocharged Single Head	CTP3406072A	Out of Frame OH Gasket Set	
1LW00333-UP	155-3273, 155-3345	3406E TRUCK ENGINE	Turbocharged, Single Head	CTP3406073A	Out of Frame OH Gasket Set	
				CTP3406073B	Inframe OH Set	
				CTP3406073C	Cylinder Head Repl. Gasket Set	

Prefix	Serial No.	Arrangement	Application	Comments	Part Number	Description
1LW	1LW00230-UP	155-3276, 155-3332, 155-3282, 155-3304, 160-3221	3406E TRUCK ENGINE	Turbocharged, Single Head	CTP3406074A	Out of Frame OH Gasket Set
					CTP3406074B	Inframe OH Set
					CTP3406074C	Cylinder Head Repl. Gasket Set
	1LW00230-UP	155-3278, 155-3279, 155-3280, 155-3283	3406E TRUCK ENGINE	Turbocharged, Single Head	CTP3406075A	Out of Frame OH Gasket Set
					CTP3406075B	Inframe OH Set
					CTP3406075C	Cylinder Head Repl. Gasket Set
	1LW00230-UP	155-3287, 155-3288, 155-3289, 155-3290, 158-5201	3406E TRUCK ENGINE	Turbocharged, Single Head	CTP3406076A	Out of Frame OH Gasket Set
					CTP3406076B	Inframe OH Set
					CTP3406076C	Cylinder Head Repl. Gasket Set
	1LW00230-UP	155-3291, 155-3292, 155-3297, 155-3298, 155-3299	3406E TRUCK ENGINE	Turbocharged, Single Head	CTP3406077A	Out of Frame OH Gasket Set
					CTP3406077B	Inframe OH Set
					CTP3406077C	Cylinder Head Repl. Gasket Set
	1LW06385-UP	155-3296, 164-8589, 164-8590	3406E TRUCK ENGINE	Turbocharged, Single Head	CTP3406078A	Out of Frame OH Gasket Set
					CTP3406078B	Inframe OH Set
					CTP3406078C	Cylinder Head Repl. Gasket Set
	1LW00230-UP	155-3300, 155-3301, 155-3334, 155-3412, 155-3413	3406E TRUCK ENGINE	Turbocharged, Single Head	CTP3406079A	Out of Frame OH Gasket Set
					CTP3406079B	Inframe OH Set
					CTP3406079C	Cylinder Head Repl. Gasket Set
	1LW00333-UP	155-3312, 155-3313, 155-3314, 155-3320, 155-3323	3406E TRUCK ENGINE	Turbocharged, Single Head	CTP3406080A	Out of Frame OH Gasket Set
					CTP3406080B	Inframe OH Set
					CTP3406080C	Cylinder Head Repl. Gasket Set
	1LW00333-UP	155-3324, 155-3325, 155-3327, 155-3329	3406E TRUCK ENGINE	Turbocharged, Single Head	CTP3406081A	Out of Frame OH Gasket Set
					CTP3406081B	Inframe OH Set
					CTP3406081C	Cylinder Head Repl. Gasket Set
	1LW00333-UP	155-3328	3406E TRUCK ENGINE	Turbocharged, Single Head	CTP3406082A	Out of Frame OH Gasket Set
					CTP3406082B	Inframe OH Set
					CTP3406082C	Cylinder Head Repl. Gasket Set
	1LW00333-UP	155-3331, 155-3333, 155-3362, 155-3363	3406E TRUCK ENGINE	Turbocharged, Single Head	CTP3406083A	Out of Frame OH Gasket Set
					CTP3406083B	Inframe OH Set
					CTP3406083C	Cylinder Head Repl. Gasket Set
	1LW00333-UP	155-3341, 157-5341	3406E TRUCK ENGINE	Turbocharged, Single Head	CTP3406084A	Out of Frame OH Gasket Set
					CTP3406084B	Inframe OH Set
					CTP3406084C	Cylinder Head Repl. Gasket Set



Prefix	Serial No.	Arrangement	Application	Comments	Part Number	Description
1LW	1LW00333-UP	155-3355	3406E TRUCK ENGINE	Turbocharged, Single Head	CTP3406085A	Out of Frame OH Gasket Set
					CTP3406085B	Inframe OH Set
					CTP3406085C	Cylinder Head Repl. Gasket Set
	1LW00333-UP	155-3356, 155-3416, 155-3447, 155-3456, 155-3457	3406E TRUCK ENGINE	Turbocharged, Single Head	CTP3406086A	Out of Frame OH Gasket Set
					CTP3406086B	Inframe OH Set
					CTP3406086C	Cylinder Head Repl. Gasket Set
	1LW00333-UP	155-3364	3406E TRUCK ENGINE	Turbocharged, Single Head	CTP3406087A	Out of Frame OH Gasket Set
					CTP3406087B	Inframe OH Set
					CTP3406087C	Cylinder Head Repl. Gasket Set
	1LW00333-UP	155-3365, 155-3372, 155-3374, 155-3375, 155-3376	3406E TRUCK ENGINE	Turbocharged, Single Head	CTP3406088A	Out of Frame OH Gasket Set
					CTP3406088B	Inframe OH Set
					CTP3406088C	Cylinder Head Repl. Gasket Set
	1LW00333-UP	155-3366	3406E TRUCK ENGINE	Turbocharged, Single Head	CTP3406089A	Out of Frame OH Gasket Set
					CTP3406089B	Inframe OH Set
					CTP3406089C	Cylinder Head Repl. Gasket Set
	1LW00333-UP	155-3378, 155-3384, 155-3390, 155-3393, 155-3394	3406E TRUCK ENGINE	Turbocharged, Single Head	CTP3406090A	Out of Frame OH Gasket Set
					CTP3406090B	Inframe OH Set
					CTP3406090C	Cylinder Head Repl. Gasket Set
	1LW00333-UP	155-3380	3406E TRUCK ENGINE	Turbocharged, Single Head	CTP3406091A	Out of Frame OH Gasket Set
					CTP3406091B	Inframe OH Set
					CTP3406091C	Cylinder Head Repl. Gasket Set
	1LW00333-UP	155-3395, 155-3398, 155-3420, 155-3423, 155-3480	3406E TRUCK ENGINE	Turbocharged, Single Head	CTP3406092A	Out of Frame OH Gasket Set
					CTP3406092B	Inframe OH Set
					CTP3406092C	Cylinder Head Repl. Gasket Set
	1LW00230-UP	155-3414, 155-3429, 156-2007, 156-2261, 156-2318	3406E TRUCK ENGINE	Turbocharged, Single Head	CTP3406093A	Out of Frame OH Gasket Set
					CTP3406093B	Inframe OH Set
					CTP3406093C	Cylinder Head Repl. Gasket Set
	1LW00333-UP	155-3425, 155-3483, 155-3485, 155-3491, 155-3495	3406E TRUCK ENGINE	Turbocharged, Single Head	CTP3406094A	Out of Frame OH Gasket Set
					CTP3406094B	Inframe OH Set
					CTP3406094C	Cylinder Head Repl. Gasket Set
1LW00333-UP	155-3432	3406E TRUCK ENGINE	Turbocharged, Single Head	CTP3406095A	Out of Frame OH Gasket Set	
				CTP3406095B	Inframe OH Set	
				CTP3406095C	Cylinder Head Repl. Gasket Set	

Prefix	Serial No.	Arrangement	Application	Comments	Part Number	Description
1LW	1LW00333-UP	155-3463	3406E TRUCK ENGINE	Turbocharged, Single Head	CTP3406096A	Out of Frame OH Gasket Set
					CTP3406096B	Inframe OH Set
					CTP3406096C	Cylinder Head Repl. Gasket Set
	1LW00230-UP	155-3484, 156-2169, 156-2263, 157-5323,	3406E TRUCK ENGINE	Turbocharged, Single Head	CTP3406097A	Out of Frame OH Gasket Set
					CTP3406097B	Inframe OH Set
					CTP3406097C	Cylinder Head Repl. Gasket Set
	1LW00333-UP	155-3487, 156-2160	3406E TRUCK ENGINE	Turbocharged, Single Head	CTP3406098A	Out of Frame OH Gasket Set
					CTP3406098B	Inframe OH Set
					CTP3406098C	Cylinder Head Repl. Gasket Set
	1LW00333-UP	155-3496, 156-1987, 156-2001, 156-2003, 156-2014	3406E TRUCK ENGINE	Turbocharged, Single Head	CTP3406099A	Out of Frame OH Gasket Set
					CTP3406099B	Inframe OH Set
					CTP3406099C	Cylinder Head Repl. Gasket Set
	1LW00333-UP	156-2016, 156-2018, 156-2031, 156-2046, 156-2098	3406E TRUCK ENGINE	Turbocharged, Single Head	CTP3406100A	Out of Frame OH Gasket Set
					CTP3406100B	Inframe OH Set
					CTP3406100C	Cylinder Head Repl. Gasket Set
	1LW00333-UP	156-2039, 156-2051	3406E TRUCK ENGINE	Turbocharged, Single Head	CTP3406101A	Out of Frame OH Gasket Set
					CTP3406101B	Inframe OH Set
					CTP3406101C	Cylinder Head Repl. Gasket Set
	1LW00333-UP	156-2050, 156-2057, 156-2071, 156-2083, 156-2097	3406E TRUCK ENGINE	Turbocharged, Single Head	CTP3406102A	Out of Frame OH Gasket Set
					CTP3406102B	Inframe OH Set
					CTP3406102C	Cylinder Head Repl. Gasket Set
	1LW00333-UP	156-2084, 156-2086, 156-2089, 156-2094, 156-2095	3406E TRUCK ENGINE	Turbocharged, Single Head	CTP3406103A	Out of Frame OH Gasket Set
					CTP3406103B	Inframe OH Set
					CTP3406103C	Cylinder Head Repl. Gasket Set
	1LW00333-UP	156-2096, 156-2126, 156-2135, 156-2136, 156-2138	3406E TRUCK ENGINE	Turbocharged, Single Head	CTP3406104A	Out of Frame OH Gasket Set
					CTP3406104B	Inframe OH Set
					CTP3406104C	Cylinder Head Repl. Gasket Set
	1LW00333-UP	156-2111, 156-2203, 156-2274	3406E TRUCK ENGINE	Turbocharged, Single Head	CTP3406105A	Out of Frame OH Gasket Set
					CTP3406105B	Inframe OH Set
					CTP3406105C	Cylinder Head Repl. Gasket Set
1LW00333-1LW14868	156-2112	3406E TRUCK ENGINE	Turbocharged, Single Head	CTP3406106A	Out of Frame OH Gasket Set	
				CTP3406106B	Inframe OH Set	
				CTP3406106C	Cylinder Head Repl. Gasket Set	

Prefix	Serial No.	Arrangement	Application	Comments	Part Number	Description
1LW	1LW00333-UP	156-2127, 156-2134, 156-2142, 156-2144, 156-2151	3406E TRUCK ENGINE	Turbocharged, Single Head	CTP3406107A	Out of Frame OH Gasket Set
					CTP3406107B	Inframe OH Set
					CTP3406107C	Cylinder Head Repl. Gasket Set
	1LW00333-UP	156-2128	3406E TRUCK ENGINE	Turbocharged, Single Head	CTP3406108A	Out of Frame OH Gasket Set
					CTP3406108B	Inframe OH Set
					CTP3406108C	Cylinder Head Repl. Gasket Set
	1LW00333-UP	156-2137	3406E TRUCK ENGINE	Turbocharged, Single Head	CTP3406109A	Out of Frame OH Gasket Set
					CTP3406109B	Inframe OH Set
					CTP3406109C	Cylinder Head Repl. Gasket Set
	1LW00333-UP	156-2140, 156-2141, 156-2145, 156-2148, 156-2150	3406E TRUCK ENGINE	Turbocharged, Single Head	CTP3406110A	Out of Frame OH Gasket Set
					CTP3406110B	Inframe OH Set
					CTP3406110C	Cylinder Head Repl. Gasket Set
	1LW00333-UP	156-2152, 156-2180, 156-2184, 156-2185, 156-2186	3406E TRUCK ENGINE	Turbocharged, Single Head	CTP3406111A	Out of Frame OH Gasket Set
					CTP3406111B	Inframe OH Set
					CTP3406111C	Cylinder Head Repl. Gasket Set
	1LW00333-UP	156-2206, 156-2207, 156-2228, 156-2257, 156-2324	3406E TRUCK ENGINE	Turbocharged, Single Head	CTP3406112A	Out of Frame OH Gasket Set
					CTP3406112B	Inframe OH Set
					CTP3406112C	Cylinder Head Repl. Gasket Set
	1LW00333-UP	156-2214	3406E TRUCK ENGINE	Turbocharged, Single Head	CTP3406113A	Out of Frame OH Gasket Set
					CTP3406113B	Inframe OH Set
					CTP3406113C	Cylinder Head Repl. Gasket Set
	1LW00333-UP	156-2233, 160-2808, 169-2239	3406E TRUCK ENGINE	Turbocharged, Single Head	CTP3406114A	Out of Frame OH Gasket Set
					CTP3406114B	Inframe OH Set
					CTP3406114C	Cylinder Head Repl. Gasket Set
	1LW00333-UP	156-2325, 157-5457, 158-5134, 158-5173	3406E TRUCK ENGINE	Turbocharged, Single Head	CTP3406115A	Out of Frame OH Gasket Set
					CTP3406115B	Inframe OH Set
					CTP3406115C	Cylinder Head Repl. Gasket Set
	1LW00333-UP	156-2384	3406E TRUCK ENGINE	Turbocharged, Single Head	CTP3406116A	Out of Frame OH Gasket Set
					CTP3406116B	Inframe OH Set
					CTP3406116C	Cylinder Head Repl. Gasket Set
	1LW00333-UP	156-2385, 156-2470, 157-5447, 158-5205, 158-5297	3406E TRUCK ENGINE	Turbocharged, Single Head	CTP3406117A	Out of Frame OH Gasket Set
					CTP3406117B	Inframe OH Set
					CTP3406117C	Cylinder Head Repl. Gasket Set

Prefix	Serial No.	Arrangement	Application	Comments	Part Number	Description
1LW	1LW00333-UP	156-2411	3406E TRUCK ENGINE	Turbocharged, Single Head	CTP3406118A	Out of Frame OH Gasket Set
					CTP3406118B	Inframe OH Set
					CTP3406118C	Cylinder Head Repl. Gasket Set
	1LW01979-UP	156-2489, 156-2498, 156-2499, 157-5314, 157-5443	3406E TRUCK ENGINE	Turbocharged, Single Head	CTP3406119A	Out of Frame OH Gasket Set
					CTP3406119B	Inframe OH Set
					CTP3406119C	Cylinder Head Repl. Gasket Set
	1LW01979-UP	157-5320	3406E TRUCK ENGINE	Turbocharged, Single Head	CTP3406120A	Out of Frame OH Gasket Set
					CTP3406120B	Inframe OH Set
					CTP3406120C	Cylinder Head Repl. Gasket Set
	1LW01979-UP	157-5325	3406E TRUCK ENGINE	Turbocharged, Single Head	CTP3406121A	Out of Frame OH Gasket Set
					CTP3406121B	Inframe OH Set
					CTP3406121C	Cylinder Head Repl. Gasket Set
	1LW00230-UP	157-5486	3406E TRUCK ENGINE	Turbocharged, Single Head	CTP3406122C	Cylinder Head Repl. Gasket Set
	1LW04301-UP	158-5140	3406E TRUCK ENGINE	Turbocharged, Single Head	CTP3406123A	Out of Frame OH Gasket Set
					CTP3406123B	Inframe OH Set
					CTP3406123C	Cylinder Head Repl. Gasket Set
	1LW04301-UP	158-5141, 158-5233	3406E TRUCK ENGINE	Turbocharged, Single Head	CTP3406124A	Out of Frame OH Gasket Set
					CTP3406124B	Inframe OH Set
					CTP3406124C	Cylinder Head Repl. Gasket Set
	1LW04301-UP	158-5166	3406E TRUCK ENGINE	Turbocharged, Single Head	CTP3406125A	Out of Frame OH Gasket Set
					CTP3406125B	Inframe OH Set
					CTP3406125C	Cylinder Head Repl. Gasket Set
	1LW04301-UP	158-5170	3406E TRUCK ENGINE	Turbocharged, Single Head	CTP3406126A	Out of Frame OH Gasket Set
					CTP3406126B	Inframe OH Set
					CTP3406126C	Cylinder Head Repl. Gasket Set
	1LW04301-UP	158-5279, 158-5462, 158-5526, 158-5552, 158-5559	3406E TRUCK ENGINE	Turbocharged Single Head	CTP3406127A	Out of Frame OH Gasket Set
					CTP3406127B	Inframe OH Set
					CTP3406127C	Cylinder Head Repl. Gasket Set
	1LW04873-UP, 1LW06419-UP	158-5324, 158-5599	3406E TRUCK ENGINE	Turbocharged, Single Head	CTP3406128A	Out of Frame OH Gasket Set
					CTP3406128B	Inframe OH Set
					CTP3406128C	Cylinder Head Repl. Gasket Set
	1LW04873-UP, 1LW04301-UP	158-5377, 158-5465	3406E TRUCK ENGINE	Turbocharged, Single Head	CTP3406129C	Cylinder Head Repl. Gasket Set

Prefix	Serial No.	Arrangement	Application	Comments	Part Number	Description
1LW	1LW04873-UP, 1LW06419-UP	158-5429, 160-2793, 160-2793, 160-2930, 160-2942	3406E TRUCK ENGINE	Turbocharged, Single Head	CTP3406130A	Out of Frame OH Gasket Set
					CTP3406130B	Inframe OH Set
					CTP3406130C	Cylinder Head Repl. Gasket Set
	1LW06419-UP	158-5477	3406E TRUCK ENGINE	Turbocharged, Single Head	CTP3406131C	Cylinder Head Repl. Gasket Set
	1LW06419-UP	158-5553	3406E TRUCK ENGINE	Turbocharged, Single Head	CTP3406132A	Out of Frame OH Gasket Set
					CTP3406132B	Inframe OH Set
					CTP3406132C	Cylinder Head Repl. Gasket Set
	1LW06419-UP	158-5555, 158-5564	3406E TRUCK ENGINE	Turbocharged, Single Head	CTP3406133A	Out of Frame OH Gasket Set
					CTP3406133B	Inframe OH Set
					CTP3406133C	Cylinder Head Repl. Gasket Set
	1LW06419-UP	158-5556	3406E TRUCK ENGINE	Turbocharged, Single Head	CTP3406134A	Out of Frame OH Gasket Set
					CTP3406134B	Inframe OH Set
					CTP3406134C	Cylinder Head Repl. Gasket Set
	1LW06419-UP	158-5574, 158-5577	3406E TRUCK ENGINE	Turbocharged, Single Head	CTP3406135A	Out of Frame OH Gasket Set
					CTP3406135B	Inframe OH Set
					CTP3406135C	Cylinder Head Repl. Gasket Set
	1LW06419-UP	158-5576	3406E TRUCK ENGINE	Turbocharged, Single Head	CTP3406136A	Out of Frame OH Gasket Set
					CTP3406136B	Inframe OH Set
					CTP3406136C	Cylinder Head Repl. Gasket Set
	1LW06419-UP, 1LW07795-UP	158-5579, 160-2865	3406E TRUCK ENGINE	Turbocharged, Single Head	CTP3406137A	Out of Frame OH Gasket Set
					CTP3406137B	Inframe OH Set
					CTP3406137C	Cylinder Head Repl. Gasket Set
	1LW00230-UP	160-2819	3406E TRUCK ENGINE	Turbocharged, Single Head	CTP3406138A	Out of Frame OH Gasket Set
					CTP3406138B	Inframe OH Set
					CTP3406138C	Cylinder Head Repl. Gasket Set
	1LW30086-UP	160-2900	3406E TRUCK ENGINE	Turbocharged, Single Head	CTP3406139A	Out of Frame OH Gasket Set
					CTP3406139B	Inframe OH Set
					CTP3406139C	Cylinder Head Repl. Gasket Set
	1LW09072-UP	160-2928	3406E TRUCK ENGINE	Turbocharged, Single Head	CTP3406140A	Out of Frame OH Gasket Set
					CTP3406140B	Inframe OH Set
					CTP3406140C	Cylinder Head Repl. Gasket Set
	1LW00230-UP	160-3311, 160-3320, 166-9810, 166-9811	3406E TRUCK ENGINE	Turbocharged, Single Head	CTP3406141A	Out of Frame OH Gasket Set
					CTP3406141B	Inframe OH Set
					CTP3406141C	Cylinder Head Repl. Gasket Set

Prefix	Serial No.	Arrangement	Application	Comments	Part Number	Description
1LW	1LW16566-UP	164-1816	3406E TRUCK ENGINE	Turbocharged, Single Head	CTP3406142A	Out of Frame OH Gasket Set
					CTP3406142B	Inframe OH Set
					CTP3406142C	Cylinder Head Repl. Gasket Set
	1LW00230-UP	164-8604	3406E TRUCK ENGINE	Turbocharged, Single Head	CTP3406143A	Out of Frame OH Gasket Set
					CTP3406143B	Inframe OH Set
					CTP3406143C	Cylinder Head Repl. Gasket Set
	1LW00230-UP	164-8831	3406E TRUCK ENGINE	Turbocharged, Single Head	CTP3406144A	Out of Frame OH Gasket Set
					CTP3406144B	Inframe OH Set
					CTP3406144C	Cylinder Head Repl. Gasket Set
	1LW00230-UP	166-9868	3406E TRUCK ENGINE	Turbocharged, Single Head	CTP3406145A	Out of Frame OH Gasket Set
					CTP3406145B	Inframe OH Set
					CTP3406145C	Cylinder Head Repl. Gasket Set
1LW00230-UP	169-2257	3406E TRUCK ENGINE	Turbocharged, Single Head	CTP3406146A	Out of Frame OH Gasket Set	
				CTP3406146B	Inframe OH Set	
				CTP3406146C	Cylinder Head Repl. Gasket Set	
1MM	1MM1-UP		TRUCK	Spacer Plated Turbo- charged With 24 Bolt Flywheel Housing With Custom Molded Valve Cover Gasket	CTP3406029A	Out of Frame OH Gasket Set
					CTP3406029B	Inframe OH Set
					CTP3406029C	Cylinder Head Repl. Gasket Set
	1MM1-UP	164-1704	3406E TRUCK ENGINE	Turbocharged, Single Head	CTP3406147C	Cylinder Head Repl. Gasket Set
	1MM00001- 1MM01308	169-5069, 169-5070	3406E TRUCK ENGINE	Turbocharged, Single Head	CTP3406148C	Cylinder Head Repl. Gasket Set
	1MM00001- 1MM01308	169-5071	3406E TRUCK ENGINE	Turbocharged, Single Head	CTP3406149C	Cylinder Head Repl. Gasket Set
	1MM00001- 1MM01308	170-7824	3406E TRUCK ENGINE	Turbocharged, Single Head	CTP3406150C	Cylinder Head Repl. Gasket Set
	1MM00001- 1MM01308	170-7898	3406E TRUCK ENGINE	Turbocharged, Single Head	CTP3406151A	Out of Frame OH Gasket Set
					CTP3406151B	Inframe OH Set
					CTP3406151C	Cylinder Head Repl. Gasket Set
	1MM00001- 1MM01308	172-8897	3406E TRUCK ENGINE	Turbocharged, Single Head	CTP3406152C	Cylinder Head Repl. Gasket Set
	1MM00880- UP	178-1423	3406E TRUCK ENGINE	Turbocharged, Single Head	CTP3406153A	Out of Frame OH Gasket Set
CTP3406153B					Inframe OH Set	
CTP3406153C					Cylinder Head Repl. Gasket Set	
1RK	1RK01-UP		NATURAL GAS	Non Turbocharged, Spacer Plated	CTP3406022A	Out of Frame OH Gasket Set
					CTP3406022B	Inframe OH Set
					CTP3406022C	Cylinder Head Repl. Gasket Set

Prefix	Serial No.	Arrangement	Application	Comments	Part Number	Description
1RK	1RK01-UP		NATURAL GAS	Spacer Plated Turbocharged After-cooled With 24 Bolt Flywheel Housing	CTP3406025A	Out of Frame OH Gasket Set
					CTP3406025B	Inframe OH Set
					CTP3406025C	Cylinder Head Repl. Gasket Set
1SS	1SS01-UP		INDUSTRIAL	Aftercooled Turbocharged 24 Bolt Flywheel Housing	CTP3406017A	Out of Frame OH Gasket Set
					CTP3406017B	Inframe OH Set
					CTP3406017C	Cylinder Head Repl. Gasket Set
1XJ	1XJ01-UP		D8N	Non Aftercooled With 24 Bolt Flywheel Housing	CTP3406003A	Out of Frame OH Gasket Set
					CTP3406003B	Inframe OH Set
					CTP3406003C	Cylinder Head Repl. Gasket Set
2EK	2EK01-UP	4P-1074, 4P-2961	3406, 3406B TRUCK ENGINE	Turbocharged, Single Head	CTP3406019A	Out of Frame OH Gasket Set
					CTP3406019B	Inframe OH Set
					CTP3406019C	Cylinder Head Repl. Gasket Set
2WB	2WB01-UP		INDUSTRIAL	Aftercooled, Turbocharged, With 19 Bolt Flywheel Housing	CTP3406010A	Out of Frame OH Gasket Set
					CTP3406010B	Inframe OH Set
					CTP3406010C	Cylinder Head Repl. Gasket Set
2WS	2WS01-UP		TRUCK	Spacer Plated Turbocharged Engine With 24 Bolt Flywheel Housing	CTP3406028A	Out of Frame OH Gasket Set
					CTP3406028B	Inframe OH Set
					CTP3406028C	Cylinder Head Repl. Gasket Set
	2WS01-UP		TRUCK	Spacer Plated Turbocharged With 24 Bolt Flywheel Housing With Custom Molded Valve Cover Gasket	CTP3406029A	Out of Frame OH Gasket Set
					CTP3406029B	Inframe OH Set
					CTP3406029C	Cylinder Head Repl. Gasket Set
	2WS00406-UP	160-3307, 160-3309, 160-3330, 166-9622, 169-2217	3406E TRUCK ENGINE	Turbocharged, Single Head	CTP3406160A	Out of Frame OH Gasket Set
					CTP3406160B	Inframe OH Set
					CTP3406160C	Cylinder Head Repl. Gasket Set
	2WS00406-UP	160-3418, 169-2407, 169-2415	3406E TRUCK ENGINE	Turbocharged, Single Head	CTP3406161C	Cylinder Head Repl. Gasket Set
	2WS04061-UP	166-9621, 169-5079	3406E TRUCK ENGINE	Turbocharged, Single Head	CTP3406162A	Out of Frame OH Gasket Set
					CTP3406162B	Inframe OH Set
					CTP3406162C	Cylinder Head Repl. Gasket Set
	2WS00406-UP	169-2218, 169-2219, 169-2408, 169-2409, 169-2420	3406E TRUCK ENGINE	Turbocharged, Single Head	CTP3406163A	Out of Frame OH Gasket Set
					CTP3406163B	Inframe OH Set
CTP3406163C					Cylinder Head Repl. Gasket Set	
2WS00406-UP	169-2417	3406E TRUCK ENGINE	Turbocharged, Single Head	CTP3406164A	Out of Frame OH Gasket Set	
				CTP3406164B	Inframe OH Set	
				CTP3406164C	Cylinder Head Repl. Gasket Set	

Prefix	Serial No.	Arrangement	Application	Comments	Part Number	Description
2WS	2WS00406-UP	169-2419	3406E TRUCK ENGINE	Turbocharged, Single Head	CTP3406165A	Out of Frame OH Gasket Set
					CTP3406165B	Inframe OH Set
					CTP3406165C	Cylinder Head Repl. Gasket Set
	2WS00406-UP	169-2466, 169-5072, 169-5073, 169-5074, 169-5081	3406E TRUCK ENGINE	Turbocharged, Single Head	CTP3406166A	Out of Frame OH Gasket Set
					CTP3406166B	Inframe OH Set
					CTP3406166C	Cylinder Head Repl. Gasket Set
	2WS00406-UP	169-5075, 169-5077, 169-5078	3406E TRUCK ENGINE	Turbocharged, Single Head	CTP3406167C	Cylinder Head Repl. Gasket Set
	2WS00406-UP	169-5080, 169-5085, 169-5261	3406E TRUCK ENGINE	Turbocharged, Single Head	CTP3406168C	Cylinder Head Repl. Gasket Set
	2WS00406-UP	169-5082, 169-5083, 169-5086, 169-5091, 169-5104	3406E TRUCK ENGINE	Turbocharged, Single Head	CTP3406169A	Out of Frame OH Gasket Set
					CTP3406169B	Inframe OH Set
					CTP3406169C	Cylinder Head Repl. Gasket Set
	2WS00406-UP	169-5088, 169-5089, 169-5092, 169-5093, 169-5098	3406E TRUCK ENGINE	Turbocharged, Single Head	CTP3406170C	Cylinder Head Repl. Gasket Set
	2WS00406-UP	169-5090, 169-5103, 169-5278, 169-9235, 169-9281	3406E TRUCK ENGINE	Turbocharged, Single Head	CTP3406171C	Cylinder Head Repl. Gasket Set
	2WS00406-UP	169-5101, 169-5105, 169-5130, 169-5131, 169-5183	3406E TRUCK ENGINE	Turbocharged, Single Head	CTP3406172C	Cylinder Head Repl. Gasket Set
	2WS00406-UP	169-5148	3406E TRUCK ENGINE	Turbocharged, Single Head	CTP3406173A	Out of Frame OH Gasket Set
					CTP3406173B	Inframe OH Set
					CTP3406173C	Cylinder Head Repl. Gasket Set
	2WS00406-UP	169-5182, 169-5228, 169-5242, 169-5251, 169-9186	3406E TRUCK ENGINE	Turbocharged, Single Head	CTP3406174A	Out of Frame OH Gasket Set
					CTP3406174B	Inframe OH Set
					CTP3406174C	Cylinder Head Repl. Gasket Set
	2WS00406-UP	169-5184, 169-5186, 169-5220, 169-5249, 169-5264	3406E TRUCK ENGINE	Turbocharged, Single Head	CTP3406175C	Cylinder Head Repl. Gasket Set

Prefix	Serial No.	Arrangement	Application	Comments	Part Number	Description
2WS	2WS00406-UP	169-5263, 169-9132	3406E TRUCK ENGINE	Turbocharged, Single Head	CTP3406176A	Out of Frame OH Gasket Set
					CTP3406176B	Inframe OH Set
					CTP3406176C	Cylinder Head Repl. Gasket Set
	2WS00406-UP	169-9133, 169-9134, 169-9135, 169-9137, 169-9185	3406E TRUCK ENGINE	Turbocharged, Single Head	CTP3406177C	Cylinder Head Repl. Gasket Set
	2WS00406-UP	169-9187	3406E TRUCK ENGINE	Turbocharged, Single Head	CTP3406178A	Out of Frame OH Gasket Set
					CTP3406178B	Inframe OH Set
					CTP3406178C	Cylinder Head Repl. Gasket Set
	2WS00406-UP	169-9189, 169-9225, 169-9236, 169-9244, 169-9276	3406E TRUCK ENGINE	Turbocharged, Single Head	CTP3406179A	Out of Frame OH Gasket Set
					CTP3406179B	Inframe OH Set
					CTP3406179C	Cylinder Head Repl. Gasket Set
	2WS00406-UP	169-9195, 169-9218, 169-9219, 169-9221, 169-9222	3406E TRUCK ENGINE	Turbocharged, Single Head	CTP3406180C	Cylinder Head Repl. Gasket Set
	2WS00406-UP	169-9223, 169-9240, 169-9273, 169-9279, 169-9280	3406E TRUCK ENGINE	Turbocharged, Single Head	CTP3406181C	Cylinder Head Repl. Gasket Set
	2WS00406-UP	169-9278, 169-9282, 169-9284, 169-9343, 169-9371	3406E TRUCK ENGINE	Turbocharged, Single Head	CTP3406182A	Out of Frame OH Gasket Set
					CTP3406182B	Inframe OH Set
					CTP3406182C	Cylinder Head Repl. Gasket Set
	2WS00406-UP	169-9291, 169-9464, 170-7880	3406E TRUCK ENGINE	Turbocharged, Single Head	CTP3406183C	Cylinder Head Repl. Gasket Set
	2WS00406-UP	169-9397, 169-9428, 170-7799, 170-7806, 170-7808	3406E TRUCK ENGINE	Turbocharged, Single Head	CTP3406184C	Cylinder Head Repl. Gasket Set
	2WS00406-UP	169-9424, 170-7792, 170-7794, 170-7816, 170-7819	3406E TRUCK ENGINE	Turbocharged, Single Head	CTP3406185C	Cylinder Head Repl. Gasket Set
	2WS00406-UP	169-9434, 169-9436, 169-9448, 170-7786, 170-7790	3406E TRUCK ENGINE	Turbocharged, Single Head	CTP3406186A	Out of Frame OH Gasket Set
					CTP3406186B	Inframe OH Set
					CTP3406186C	Cylinder Head Repl. Gasket Set

Prefix	Serial No.	Arrangement	Application	Comments	Part Number	Description
2WS	2WS00406-UP	170-7785, 170-7813	3406E TRUCK ENGINE	Turbocharged, Single Head	CTP3406187A	Out of Frame OH Gasket Set
					CTP3406187B	Inframe OH Set
					CTP3406187C	Cylinder Head Repl. Gasket Set
	2WS00406-UP	170-7793	3406E TRUCK ENGINE	Turbocharged, Single Head	CTP3406188C	Cylinder Head Repl. Gasket Set
	2WS00406-UP	170-7795, 170-7811, 170-7822, 170-7837, 170-7845	3406E TRUCK ENGINE	Turbocharged, Single Head	CTP3406189C	Cylinder Head Repl. Gasket Set
	2WS00406-UP	170-7798	3406E TRUCK ENGINE	Turbocharged, Single Head	CTP3406190C	Cylinder Head Repl. Gasket Set
	2WS00406-UP	170-7801, 174-2796	3406E TRUCK ENGINE	Turbocharged, Single Head	CTP3406191A	Out of Frame OH Gasket Set
					CTP3406191B	Inframe OH Set
					CTP3406191C	Cylinder Head Repl. Gasket Set
	2WS00406-UP	170-7809	3406E TRUCK ENGINE	Turbocharged, Single Head	CTP3406192A	Out of Frame OH Gasket Set
					CTP3406192B	Inframe OH Set
					CTP3406192C	Cylinder Head Repl. Gasket Set
	2WS00406-UP	170-7812, 170-7828, 170-7833, 171-5155, 171-8159	3406E TRUCK ENGINE	Turbocharged, Single Head	CTP3406193C	Cylinder Head Repl. Gasket Set
	2WS00406-UP	170-7826, 170-7847, 170-7990, 171-4932, 171-5098	3406E TRUCK ENGINE	Turbocharged, Single Head	CTP3406194A	Out of Frame OH Gasket Set
					CTP3406194B	Inframe OH Set
					CTP3406194C	Cylinder Head Repl. Gasket Set
	2WS00406-UP	170-7852, 170-7866, 171-5197, 171-5798, 171-8164	3406E TRUCK ENGINE	Turbocharged, Single Head	CTP3406195C	Cylinder Head Repl. Gasket Set
	2WS00406-UP	170-7863, 172-8954	3406E TRUCK ENGINE	Turbocharged, Single Head	CTP3406196A	Out of Frame OH Gasket Set
					CTP3406196B	Inframe OH Set
					CTP3406196C	Cylinder Head Repl. Gasket Set
	2WS00406-UP	170-7937	3406E TRUCK ENGINE	Turbocharged, Single Head	CTP3406197A	Out of Frame OH Gasket Set
					CTP3406197B	Inframe OH Set
					CTP3406197C	Cylinder Head Repl. Gasket Set
	2WS00406-UP	171-4957, 177-1338	3406E TRUCK ENGINE	Turbocharged, Single Head	CTP3406198A	Out of Frame OH Gasket Set
					CTP3406198B	Inframe OH Set
					CTP3406198C	Cylinder Head Repl. Gasket Set

Prefix	Serial No.	Arrangement	Application	Comments	Part Number	Description
2WS	2WS00406-UP	171-5101, 174-2551, 175-2080, 175-2083, 175-2096	3406E TRUCK ENGINE	Turbocharged, Single Head	CTP3406199A	Out of Frame OH Gasket Set
					CTP3406199B	Inframe OH Set
					CTP3406199C	Cylinder Head Repl. Gasket Set
	2WS00406-UP	171-5158	3406E TRUCK ENGINE	Turbocharged, Single Head	CTP3406200A	Out of Frame OH Gasket Set
					CTP3406200B	Inframe OH Set
					CTP3406200C	Cylinder Head Repl. Gasket Set
	2WS00406-UP	171-5199	3406E TRUCK ENGINE	Turbocharged, Single Head	CTP3406201A	Out of Frame OH Gasket Set
					CTP3406201B	Inframe OH Set
					CTP3406201C	Cylinder Head Repl. Gasket Set
	2WS00406-UP	171-8169	3406E TRUCK ENGINE	Turbocharged, Single Head	CTP3406202A	Out of Frame OH Gasket Set
					CTP3406202B	Inframe OH Set
					CTP3406202C	Cylinder Head Repl. Gasket Set
	2WS00406-UP	171-8205, 171-8352, 171-8353, 171-8355, 171-8356	3406E TRUCK ENGINE	Turbocharged, Single Head	CTP3406203C	Cylinder Head Repl. Gasket Set
	2WS00406-UP	171-8214, 171-8237, 171-8315, 171-8342, 172-8953	3406E TRUCK ENGINE	Turbocharged, Single Head	CTP3406204C	Cylinder Head Repl. Gasket Set
	2WS00406-UP	171-8236, 171-8950, 172-8964, 172-8966, 172-9015	3406E TRUCK ENGINE	Turbocharged, Single Head	CTP3406205A	Out of Frame OH Gasket Set
					CTP3406205B	Inframe OH Set
					CTP3406205C	Cylinder Head Repl. Gasket Set
	2WS00406-UP	171-8266, 171-8296, 171-8317, 171-8322, 171-8340	3406E TRUCK ENGINE	Turbocharged, Single Head	CTP3406206A	Out of Frame OH Gasket Set
					CTP3406206B	Inframe OH Set
					CTP3406206C	Cylinder Head Repl. Gasket Set
	2WS00406-UP	171-8268	3406E TRUCK ENGINE	Turbocharged, Single Head	CTP3406207A	Out of Frame OH Gasket Set
					CTP3406207B	Inframe OH Set
					CTP3406207C	Cylinder Head Repl. Gasket Set
	2WS00406-UP	171-8428	3406E TRUCK ENGINE	Turbocharged, Single Head	CTP3406208A	Out of Frame OH Gasket Set
					CTP3406208B	Inframe OH Set
					CTP3406208C	Cylinder Head Repl. Gasket Set
	2WS00406-UP	171-8552	3406E TRUCK ENGINE	Turbocharged, Single Head	CTP3406209A	Out of Frame OH Gasket Set
					CTP3406209B	Inframe OH Set
					CTP3406209C	Cylinder Head Repl. Gasket Set

Prefix	Serial No.	Arrangement	Application	Comments	Part Number	Description
2WS	2WS00406-UP	172-8896, 173-6341, 174-2670	3406E TRUCK ENGINE	Turbocharged, Single Head	CTP3406210C	Cylinder Head Repl. Gasket Set
					CTP3406211A	Out of Frame OH Gasket Set
					CTP3406211B	Inframe OH Set
	2WS00406-UP	172-8898	3406E TRUCK ENGINE	Turbocharged, Single Head	CTP3406211C	Cylinder Head Repl. Gasket Set
					CTP3406212C	Cylinder Head Repl. Gasket Set
					CTP3406213A	Out of Frame OH Gasket Set
	2WS00406-UP	172-8956, 172-8965, 173-6326	3406E TRUCK ENGINE	Turbocharged, Single Head	CTP3406213B	Inframe OH Set
					CTP3406213C	Cylinder Head Repl. Gasket Set
					CTP3406214C	Cylinder Head Repl. Gasket Set
	2WS00406-UP	172-8959, 172-8962	3406E TRUCK ENGINE	Turbocharged, Single Head	CTP3406214C	Cylinder Head Repl. Gasket Set
	2WS00406-UP	172-8968, 172-8976, 172-8977, 172-8980, 172-9013	3406E TRUCK ENGINE	Turbocharged, Single Head	CTP3406215C	Cylinder Head Repl. Gasket Set
	2WS00406-UP	172-9023, 172-9051, 172-9178, 175-2081, 177-1389	3406E TRUCK ENGINE	Turbocharged, Single Head	CTP3406216A	Out of Frame OH Gasket Set
					CTP3406216B	Inframe OH Set
					CTP3406216C	Cylinder Head Repl. Gasket Set
	2WS00406-UP	173-6439	3406E TRUCK ENGINE	Turbocharged, Single Head	CTP3406217C	Cylinder Head Repl. Gasket Set
	2WS00406-UP	174-2674, 175-1841, 175-2082, 175-9198, 177-1129	3406E TRUCK ENGINE	Turbocharged, Single Head	CTP3406218A	Out of Frame OH Gasket Set
					CTP3406218B	Inframe OH Set
					CTP3406218C	Cylinder Head Repl. Gasket Set
	2WS00406-UP	175-9181, 175-9311	3406E TRUCK ENGINE	Turbocharged, Single Head	CTP3406219A	Out of Frame OH Gasket Set
					CTP3406219B	Inframe OH Set
					CTP3406219C	Cylinder Head Repl. Gasket Set
	2WS00406-UP	178-1379, 178-1393, 178-1394, 178-1399, 178-1402	3406E TRUCK ENGINE	Turbocharged, Single Head	CTP3406220A	Out of Frame OH Gasket Set
					CTP3406220B	Inframe OH Set
					CTP3406220C	Cylinder Head Repl. Gasket Set
	2WS00406-UP	178-1395, 178-1396, 178-1398, 178-1409, 180-1807	3406E TRUCK ENGINE	Turbocharged, Single Head	CTP3406221A	Out of Frame OH Gasket Set
					CTP3406221B	Inframe OH Set
					CTP3406221C	Cylinder Head Repl. Gasket Set

Prefix	Serial No.	Arrangement	Application	Comments	Part Number	Description	
2WS	2WS00406-UP	178-1408, 178-1414, 178-1417, 178-1421, 178-1425	3406E TRUCK ENGINE	Turbocharged, Single Head	CTP3406222A	Out of Frame OH Gasket Set	
					CTP3406222B	Inframe OH Set	
					CTP3406222C	Cylinder Head Repl. Gasket Set	
	2WS00406-UP	178-1412	3406E TRUCK ENGINE	Turbocharged, Single Head	CTP3406223A	Out of Frame OH Gasket Set	
					CTP3406223B	Inframe OH Set	
					CTP3406223C	Cylinder Head Repl. Gasket Set	
	2WS00406-UP	178-1427, 178-1428, 178-1429, 178-1430, 178-1434	3406E TRUCK ENGINE	Turbocharged, Single Head	CTP3406224A	Out of Frame OH Gasket Set	
					CTP3406224B	Inframe OH Set	
					CTP3406224C	Cylinder Head Repl. Gasket Set	
	2WS00406-UP	178-1435, 178-1441, 178-1446, 178-1453, 178-1470	3406E TRUCK ENGINE	Turbocharged, Single Head	CTP3406225A	Out of Frame OH Gasket Set	
					CTP3406225B	Inframe OH Set	
					CTP3406225C	Cylinder Head Repl. Gasket Set	
	2WS00406-UP	179-1028, 179-1060, 180-1784	3406E TRUCK ENGINE	Turbocharged, Single Head	CTP3406226A	Out of Frame OH Gasket Set	
					CTP3406226B	Inframe OH Set	
					CTP3406226C	Cylinder Head Repl. Gasket Set	
	2WS00406-UP	179-1049	3406E TRUCK ENGINE	Turbocharged, Single Head	CTP3406227A	Out of Frame OH Gasket Set	
					CTP3406227B	Inframe OH Set	
					CTP3406227C	Cylinder Head Repl. Gasket Set	
	3ER	3ER01-UP		INDUSTRIAL	Aftercooled Turbocharged 24 Bolt Flywheel Housing	CTP3406017A	Out of Frame OH Gasket Set
						CTP3406017B	Inframe OH Set
						CTP3406017C	Cylinder Head Repl. Gasket Set
3ZJ	3ZJ16182-3ZJ60112		TRUCK	ATAAC (Air to Air Aftercooled) Turbocharged With 19 Bolt Flywheel Housing	CTP3406013A	Out of Frame OH Gasket Set	
					CTP3406013B	Inframe OH Set	
					CTP3406013C	Cylinder Head Repl. Gasket Set	
	3ZJ60113-UP		TRUCK	ATAAC (Air to Air Aftercooled) With 24 Bolt Flywheel Housing With Round Exhaust Ports	CTP3406026A	Out of Frame OH Gasket Set	
					CTP3406026B	Inframe OH Set	
					CTP3406026C	Cylinder Head Repl. Gasket Set	
	3ZJ01-3ZJ16181		3406E TRUCK ENGINE	ATAAC (Air to Air Aftercooled)	CTP3406061A	Out of Frame OH Gasket Set	
					CTP3406061B	Inframe OH Set	
					CTP3406061C	Cylinder Head Repl. Gasket Set	
41Z	41Z1-UP	824C, 825C, 826C, 980F, 980G	Spacer Plated, Turbocharged, Aftercooled, With 24 Bolt Flywheel Housing	CTP3406007A	Out of Frame OH Gasket Set		
				CTP3406007B	Inframe OH Set		
				CTP3406007C	Cylinder Head Repl. Gasket Set		

Prefix	Serial No.	Arrangement	Application	Comments	Part Number	Description
41Z	41Z1-UP		16G, 16H	DITA With 24 Bolt Flywheel Housing	CTP3406008A	Out of Frame OH Gasket Set
					CTP3406008B	Inframe OH Set
					CTP3406008C	Cylinder Head Repl. Gasket Set
	41Z286-UP		D8N, D8R	Aftercooled With 24 Bolt Flywheel Housing	CTP3406009A	Out of Frame OH Gasket Set
					CTP3406009B	Inframe OH Set
					CTP3406009C	Cylinder Head Repl. Gasket Set
	41Z469-UP		621F, 623F	Spacer Plated Turbocharged Engine With 24 Bolt Flywheel Housing	CTP3406027A	Out of Frame OH Gasket Set
					CTP3406027B	Inframe OH Set
					CTP3406027C	Cylinder Head Repl. Gasket Set
	41Z3852-13325, 41Z13657-UP	1406753, 1195723	D400E	Turbocharged, Spacer plated, Water aftercooled	CTP3406031A	Out of Frame OH Gasket Set
					CTP3406031B	Inframe OH Set
					CTP3406031C	Cylinder Head Repl. Gasket Set
41Z01-UP	222-5432	3406C, 3406E, D8R	Turbocharged, Single Head	CTP3406296A	Out of Frame OH Gasket Set	
4CK	4CK846-UP		TRUCK	ATAAC (Air to Air Aftercooled) Turbocharged With 19 Bolt Flywheel Housing	CTP3406013A	Out of Frame OH Gasket Set
					CTP3406013B	Inframe OH Set
					CTP3406013C	Cylinder Head Repl. Gasket Set
4FD	4FD01-UP		NATURAL GAS	Non Turbocharged, Spacer Plated	CTP3406022A	Out of Frame OH Gasket Set
					CTP3406022B	Inframe OH Set
					CTP3406022C	Cylinder Head Repl. Gasket Set
4FD	4FD01-UP		NATURAL GAS	Spacer Plated Turbocharged Aftercooled With 24 Bolt Flywheel Housing	CTP3406025A	Out of Frame OH Gasket Set
					CTP3406025B	Inframe OH Set
					CTP3406025C	Cylinder Head Repl. Gasket Set
4MG	4MG01-UP		3406E TRUCK ENGINE	JWAC (Jacket Water Aftercooled)	CTP3406051A	Out of Frame OH Gasket Set
					CTP3406051B	Inframe OH Set
					CTP3406051C	Cylinder Head Repl. Gasket Set
4MG	4MG01-UP		3406E TRUCK ENGINE	ATAAC (Air to Air Aftercooled)	CTP3406061A	Out of Frame OH Gasket Set
					CTP3406061B	Inframe OH Set
					CTP3406061C	Cylinder Head Repl. Gasket Set
4TB	4TB01-UP		MARINE 3406B, 3406C	With 19 Bolt Flywheel Housing	CTP3406004A	Out of Frame OH Gasket Set
					CTP3406004B	Inframe OH Set
					CTP3406004C	Cylinder Head Repl. Gasket Set
	4TB01-UP	177-8865, 177-8867, 177-8869, 177-8871, 178-4978	3406C MARINE	Turbocharged, Single Head	CTP3406327A	Out of Frame OH Gasket Set
					CTP3406327B	Inframe OH Set
					CTP3406327C	Cylinder Head Repl. Gasket Set

Prefix	Serial No.	Arrangement	Application	Comments	Part Number	Description
4TB	4TB01-UP	4W-3800	3406C MARINE	Turbocharged, Single Head	CTP3406328A	Out of Frame OH Gasket Set
					CTP3406328B	Inframe OH Set
					CTP3406328C	Cylinder Head Repl. Gasket Set
	4TB01-UP	110-9524	3406B, 3406C MARINE	Turbocharged, Single Head	CTP3406329A	Out of Frame OH Gasket Set
					CTP3406329B	Inframe OH Set
					CTP3406329C	Cylinder Head Repl. Gasket Set
	4TB01-UP	110-9525	3406B, 3406C MARINE	Turbocharged, Single Head	CTP3406330A	Out of Frame OH Gasket Set
					CTP3406330B	Inframe OH Set
					CTP3406330C	Cylinder Head Repl. Gasket Set
	4TB01-UP	110-9698	3406B, 3406C MARINE	Turbocharged, Single Head	CTP3406331A	Out of Frame OH Gasket Set
					CTP3406331B	Inframe OH Set
					CTP3406331C	Cylinder Head Repl. Gasket Set
	4TB01-UP	4W-3801	3406B, 3406C MARINE	Turbocharged, Single Head	CTP3406332A	Out of Frame OH Gasket Set
					CTP3406332B	Inframe OH Set
					CTP3406332C	Cylinder Head Repl. Gasket Set
	4TB01-UP	7W-7264	3406B, 3406C MARINE	Turbocharged, Single Head	CTP3406333A	Out of Frame OH Gasket Set
					CTP3406333B	Inframe OH Set
					CTP3406333C	Cylinder Head Repl. Gasket Set
	4ZR	4ZR01-UP	INDUSTRIAL	Aftercooled Turbocharged With 19 Bolt Flywheel Housing	CTP3406030A	Out of Frame OH Gasket Set
					CTP3406030B	Inframe OH Set
					CTP3406030C	Cylinder Head Repl. Gasket Set
5DS	5DS01-UP	TRUCK	Spacer Plated Turbocharged Engine With 24 Bolt Flywheel Housing	CTP3406028A	Out of Frame OH Gasket Set	
				CTP3406028B	Inframe OH Set	
				CTP3406028C	Cylinder Head Repl. Gasket Set	
	5DS00049-UP	154-0990, 155-3205	3406E TRUCK ENGINE	Turbocharged, Single Head	CTP3406154A	Out of Frame OH Gasket Set
					CTP3406154B	Inframe OH Set
					CTP3406154C	Cylinder Head Repl. Gasket Set
	5DS00049-UP	155-3218	3406E TRUCK ENGINE	Turbocharged, Single Head	CTP3406155A	Out of Frame OH Gasket Set
					CTP3406155B	Inframe OH Set
					CTP3406155C	Cylinder Head Repl. Gasket Set
	5DS00049-UP	155-3219	3406E TRUCK ENGINE	Turbocharged, Single Head	CTP3406156A	Out of Frame OH Gasket Set
					CTP3406156B	Inframe OH Set
					CTP3406156C	Cylinder Head Repl. Gasket Set
	5DS00049-UP	155-3257	3406E TRUCK ENGINE	Turbocharged, Single Head	CTP3406157A	Out of Frame OH Gasket Set
					CTP3406157B	Inframe OH Set
					CTP3406157C	Cylinder Head Repl. Gasket Set

Prefix	Serial No.	Arrangement	Application	Comments	Part Number	Description
5DS	5DS00049-UP	155-3367	3406E TRUCK ENGINE	Turbocharged, Single Head	CTP3406158A	Out of Frame OH Gasket Set
					CTP3406158B	Inframe OH Set
CTP3406158C					Cylinder Head Repl. Gasket Set	
	5DS00049-UP	158-5282	3406E TRUCK ENGINE	Turbocharged, Single Head	CTP3406159C	Cylinder Head Repl. Gasket Set
5EK1-UP			TRUCK	Spacer Plated Turbocharged Engine With 24 Bolt Flywheel Housing	CTP3406028A	Out of Frame OH Gasket Set
					CTP3406028B	Inframe OH Set
					CTP3406028C	Cylinder Head Repl. Gasket Set
5EK01-UP	100-8553, 108-6110, 108-6111, 108-6112, 108-6113	3406E TRUCK ENGINE	Turbocharged, Single Head	CTP3406228A	Out of Frame OH Gasket Set	
				CTP3406228B	Inframe OH Set	
				CTP3406228C	Cylinder Head Repl. Gasket Set	
5EK00001-5EK99381	108-6114, 108-6115	3406E TRUCK ENGINE	Turbocharged, Single Head	CTP3406229A	Out of Frame OH Gasket Set	
				CTP3406229B	Inframe OH Set	
				CTP3406229C	Cylinder Head Repl. Gasket Set	
5EK00001-5EK99381	108-6116, 108-6120, 109-0546, 109-0547, 109-0548, 109-0549	3406E TRUCK ENGINE	Turbocharged, Single Head	CTP3406230A	Out of Frame OH Gasket Set	
				CTP3406230B	Inframe OH Set	
				CTP3406230C	Cylinder Head Repl. Gasket Set	
5EK00628-5EK99381	108-6117, 108-6118, 108-6119, 108-6121, 108-6124, 108-6125	3406E TRUCK ENGINE	Turbocharged, Single Head	CTP3406231A	Out of Frame OH Gasket Set	
				CTP3406231B	Inframe OH Set	
				CTP3406231C	Cylinder Head Repl. Gasket Set	
5EK00553-5EK99381	109-0539, 109-0540, 109-0541, 109-0542, 109-0543, 109-0544	3406E TRUCK ENGINE	Turbocharged, Single Head	CTP3406232A	Out of Frame OH Gasket Set	
				CTP3406232B	Inframe OH Set	
				CTP3406232C	Cylinder Head Repl. Gasket Set	
5EK00001-5EK99381	109-0550, 109-0551, 109-6583, 109-6584, 109-6585	3406E TRUCK ENGINE	Turbocharged, Single Head	CTP3406233A	Out of Frame OH Gasket Set	
				CTP3406233B	Inframe OH Set	
				CTP3406233C	Cylinder Head Repl. Gasket Set	
5EK00001-5EK99381	109-0551, 109-6597	3406E TRUCK ENGINE	Turbocharged, Single Head	CTP3406234A	Out of Frame OH Gasket Set	
				CTP3406234B	Inframe OH Set	
				CTP3406234C	Cylinder Head Repl. Gasket Set	
5EK00001-5EK00553, 5EK01185-UP	109-0552, 109-6582, 109-6589	3406E TRUCK ENGINE	Turbocharged, Single Head	CTP3406235A	Out of Frame OH Gasket Set	
				CTP3406235B	Inframe OH Set	
				CTP3406235C	Cylinder Head Repl. Gasket Set	



Prefix	Serial No.	Arrangement	Application	Comments	Part Number	Description
5EK	5EK01185-5EK99381	109-6587	3406E TRUCK ENGINE	Turbocharged, Single Head	CTP3406236A	Out of Frame OH Gasket Set
					CTP3406236B	Inframe OH Set
					CTP3406236C	Cylinder Head Repl. Gasket Set
	5EK00001-5EK99381	109-6588, 109-6590, 109-6591, 109-6592, 109-6593	3406E TRUCK ENGINE	Turbocharged, Single Head	CTP3406237A	Out of Frame OH Gasket Set
					CTP3406237B	Inframe OH Set
					CTP3406237C	Cylinder Head Repl. Gasket Set
	5EK01185-5EK99381	109-6594, 109-6595	3406E TRUCK ENGINE	Turbocharged, Single Head	CTP3406238A	Out of Frame OH Gasket Set
					CTP3406238B	Inframe OH Set
					CTP3406238C	Cylinder Head Repl. Gasket Set
	5EK01185-5EK99381	109-6596	3406E TRUCK ENGINE	Turbocharged, Single Head	CTP3406239A	Out of Frame OH Gasket Set
					CTP3406239B	Inframe OH Set
					CTP3406239C	Cylinder Head Repl. Gasket Set
	5EK00001-5EK99381	109-9761	3406E TRUCK ENGINE	Turbocharged, Single Head	CTP3406240A	Out of Frame OH Gasket Set
					CTP3406240B	Inframe OH Set
					CTP3406240C	Cylinder Head Repl. Gasket Set
	5EK01-UP	110-9640, 110-9643, 110-9647, 110-9648, 110-9656, 110-9663	3406E TRUCK ENGINE	Turbocharged, Single Head	CTP3406241A	Out of Frame OH Gasket Set
					CTP3406241B	Inframe OH Set
					CTP3406241C	Cylinder Head Repl. Gasket Set
	5EK00001-5EK50518	110-9644, 110-9645	3406E TRUCK ENGINE	Turbocharged, Single Head	CTP3406242A	Out of Frame OH Gasket Set
					CTP3406242B	Inframe OH Set
					CTP3406242C	Cylinder Head Repl. Gasket Set
	5EK01821-5EK67192	110-9646, 110-9655, 110-9658, 110-9660, 111-1488, 111-1489	3406E TRUCK ENGINE	Turbocharged, Single Head	CTP3406243A	Out of Frame OH Gasket Set
					CTP3406243B	Inframe OH Set
					CTP3406243C	Cylinder Head Repl. Gasket Set
	5EK01821-5EK67192	110-9649, 110-9664, 110-9657, 110-9659, 110-9662	3406E TRUCK ENGINE	Turbocharged, Single Head	CTP3406244A	Out of Frame OH Gasket Set
					CTP3406244B	Inframe OH Set
					CTP3406244C	Cylinder Head Repl. Gasket Set
	5EK01821-5EK67192	110-9661	3406E TRUCK ENGINE	Turbocharged, Single Head	CTP3406245A	Out of Frame OH Gasket Set
					CTP3406245B	Inframe OH Set
					CTP3406245C	Cylinder Head Repl. Gasket Set
	5EK01821-5EK67192	110-9665	3406E TRUCK ENGINE	Turbocharged, Single Head	CTP3406246A	Out of Frame OH Gasket Set
					CTP3406246B	Inframe OH Set
					CTP3406246C	Cylinder Head Repl. Gasket Set

Prefix	Serial No.	Arrangement	Application	Comments	Part Number	Description
5EK	5EK01-UP	110-9666, 110-9669, 111-1464, 111-1486	3406E TRUCK ENGINE	Turbocharged, Single Head	CTP3406247A	Out of Frame OH Gasket Set
					CTP3406247B	Inframe OH Set
					CTP3406247C	Cylinder Head Repl. Gasket Set
	5EK01821-5EK67192	110-9667	3406E TRUCK ENGINE	Turbocharged, Single Head	CTP3406248A	Out of Frame OH Gasket Set
					CTP3406248B	Inframe OH Set
					CTP3406248C	Cylinder Head Repl. Gasket Set
	5EK01821-5EK67192	110-9668	3406E TRUCK ENGINE	Turbocharged, Single Head	CTP3406249A	Out of Frame OH Gasket Set
					CTP3406249B	Inframe OH Set
					CTP3406249C	Cylinder Head Repl. Gasket Set
	5EK01821-5EK67192	110-9670	3406E TRUCK ENGINE	Turbocharged, Single Head	CTP3406250A	Out of Frame OH Gasket Set
					CTP3406250B	Inframe OH Set
					CTP3406250C	Cylinder Head Repl. Gasket Set
	5EK01821-5EK67192	111-1461, 111-1463, 111-1482	3406E TRUCK ENGINE	Turbocharged, Single Head	CTP3406251A	Out of Frame OH Gasket Set
					CTP3406251B	Inframe OH Set
					CTP3406251C	Cylinder Head Repl. Gasket Set
	5EK01821-5EK67192	111-1465	3406E TRUCK ENGINE	Turbocharged, Single Head	CTP3406252A	Out of Frame OH Gasket Set
					CTP3406252B	Inframe OH Set
					CTP3406252C	Cylinder Head Repl. Gasket Set
	5EK01821-5EK67192	111-1467, 111-1468	3406E TRUCK ENGINE	Turbocharged, Single Head	CTP3406253A	Out of Frame OH Gasket Set
					CTP3406253B	Inframe OH Set
					CTP3406253C	Cylinder Head Repl. Gasket Set
	5EK01821-5EK67192	111-1469	3406E TRUCK ENGINE	Turbocharged, Single Head	CTP3406254A	Out of Frame OH Gasket Set
					CTP3406254B	Inframe OH Set
					CTP3406254C	Cylinder Head Repl. Gasket Set
	5EK01821-5EK67192	111-1470, 111-1471, 111-1472, 111-1474, 111-1475	3406E TRUCK ENGINE	Turbocharged, Single Head	CTP3406255A	Out of Frame OH Gasket Set
					CTP3406255B	Inframe OH Set
					CTP3406255C	Cylinder Head Repl. Gasket Set
	5EK01-UP	111-1473	3406E TRUCK ENGINE	Turbocharged, Single Head	CTP3406256A	Out of Frame OH Gasket Set
					CTP3406256B	Inframe OH Set
					CTP3406256C	Cylinder Head Repl. Gasket Set
	5EK01821-5EK67192	111-1476	3406E TRUCK ENGINE	Turbocharged, Single Head	CTP3406257A	Out of Frame OH Gasket Set
					CTP3406257B	Inframe OH Set
					CTP3406257C	Cylinder Head Repl. Gasket Set
5EK01821-5EK50518	111-1478, 111-1479	3406E TRUCK ENGINE	Turbocharged, Single Head	CTP3406258A	Out of Frame OH Gasket Set	
				CTP3406258B	Inframe OH Set	
				CTP3406258C	Cylinder Head Repl. Gasket Set	

Prefix	Serial No.	Arrangement	Application	Comments	Part Number	Description
5EK	5EK01821-5EK67192, 5EK05796-5EK50518, 5EK01821-5EK30460	111-1480, 111-1481, 111-1484, 111-1485, 111-1493	3406E TRUCK ENGINE	Turbocharged, Single Head	CTP3406259A	Out of Frame OH Gasket Set
					CTP3406259B	Inframe OH Set
					CTP3406259C	Cylinder Head Repl. Gasket Set
	5EK01-UP	111-1483, 113-4836	3406E TRUCK ENGINE	Turbocharged, Single Head	CTP3406260A	Out of Frame OH Gasket Set
					CTP3406260B	Inframe OH Set
					CTP3406260C	Cylinder Head Repl. Gasket Set
	5EK01821-5EK67192	111-1487	3406E TRUCK ENGINE	Turbocharged, Single Head	CTP3406261A	Out of Frame OH Gasket Set
					CTP3406261B	Inframe OH Set
					CTP3406261C	Cylinder Head Repl. Gasket Set
	5EK01821-5EK67192	111-1490, 111-1491	3406E TRUCK ENGINE	Turbocharged, Single Head	CTP3406262A	Out of Frame OH Gasket Set
					CTP3406262B	Inframe OH Set
					CTP3406262C	Cylinder Head Repl. Gasket Set
	5EK01821-5EK67192	111-1492	3406E TRUCK ENGINE	Turbocharged, Single Head	CTP3406263A	Out of Frame OH Gasket Set
					CTP3406263B	Inframe OH Set
					CTP3406263C	Cylinder Head Repl. Gasket Set
	5EK01821-5EK67192	111-1494, 111-1495, 111-1496, 111-1497, 111-1498, 111-1499	3406E TRUCK ENGINE	Turbocharged, Single Head	CTP3406264A	Out of Frame OH Gasket Set
					CTP3406264B	Inframe OH Set
					CTP3406264C	Cylinder Head Repl. Gasket Set
	5EK01821-5EK67192, 5EK03136-5EK50518	111-1500, 112-6387, 113-4839	3406E TRUCK ENGINE	Turbocharged, Single Head	CTP3406265A	Out of Frame OH Gasket Set
					CTP3406265B	Inframe OH Set
					CTP3406265C	Cylinder Head Repl. Gasket Set
	5EK01-UP	112-6373	3406E TRUCK ENGINE	Turbocharged, Single Head	CTP3406266A	Out of Frame OH Gasket Set
					CTP3406266B	Inframe OH Set
					CTP3406266C	Cylinder Head Repl. Gasket Set
	5EK01821-5EK67192	112-6374, 112-6375, 113-1075, 113-1076, 112-6376	3406E TRUCK ENGINE	Turbocharged, Single Head	CTP3406267A	Out of Frame OH Gasket Set
					CTP3406267B	Inframe OH Set
					CTP3406267C	Cylinder Head Repl. Gasket Set
	5EK01821-5EK50518	112-6377, 112-6389, 112-6390, 112-6391, 112-6392	3406E TRUCK ENGINE	Turbocharged, Single Head	CTP3406268A	Out of Frame OH Gasket Set
					CTP3406268B	Inframe OH Set
					CTP3406268C	Cylinder Head Repl. Gasket Set
	5EK01821-5EK50518	112-6380, 112-6381, 112-6382, 112-6383, 112-6384, 112-6385	3406E TRUCK ENGINE	Turbocharged, Single Head	CTP3406269A	Out of Frame OH Gasket Set
					CTP3406269B	Inframe OH Set
					CTP3406269C	Cylinder Head Repl. Gasket Set

Prefix	Serial No.	Arrangement	Application	Comments	Part Number	Description
5EK	5EK01821-5EK50518	112-6386	3406E TRUCK ENGINE	Turbocharged, Single Head	CTP3406270A	Out of Frame OH Gasket Set
					CTP3406270B	Inframe OH Set
					CTP3406270C	Cylinder Head Repl. Gasket Set
	5EK01-UP	112-6388	3406E TRUCK ENGINE	Turbocharged, Single Head	CTP3406271A	Out of Frame OH Gasket Set
					CTP3406271B	Inframe OH Set
					CTP3406271C	Cylinder Head Repl. Gasket Set
	5EK01821-5EK67192	112-6393, 113-1669, 113-1671, 113-1675, 113-1680	3406E TRUCK ENGINE	Turbocharged, Single Head	CTP3406272A	Out of Frame OH Gasket Set
					CTP3406272B	Inframe OH Set
					CTP3406272C	Cylinder Head Repl. Gasket Set
	5EK01821-5EK67192	112-6394, 112-6398, 113-1674, 113-4828, 113-4833	3406E TRUCK ENGINE	Turbocharged, Single Head	CTP3406273A	Out of Frame OH Gasket Set
					CTP3406273B	Inframe OH Set
					CTP3406273C	Cylinder Head Repl. Gasket Set
	5EK01821-5EK67192	112-6395, 113-1681, 113-4822	3406E TRUCK ENGINE	Turbocharged, Single Head	CTP3406274A	Out of Frame OH Gasket Set
					CTP3406274B	Inframe OH Set
					CTP3406274C	Cylinder Head Repl. Gasket Set
	5EK03136-5EK67192	112-6396	3406E TRUCK ENGINE	Turbocharged, Single Head	CTP3406275A	Out of Frame OH Gasket Set
					CTP3406275B	Inframe OH Set
					CTP3406275C	Cylinder Head Repl. Gasket Set
	5EK00821-5EK67192	112-6397	3406E TRUCK ENGINE	Turbocharged, Single Head	CTP3406276A	Out of Frame OH Gasket Set
					CTP3406276B	Inframe OH Set
					CTP3406276C	Cylinder Head Repl. Gasket Set
	5EK11163-5EK67192	113-1077	3406E TRUCK ENGINE	Turbocharged, Single Head	CTP3406277A	Out of Frame OH Gasket Set
					CTP3406277B	Inframe OH Set
					CTP3406277C	Cylinder Head Repl. Gasket Set
	5EK02321-5EK50518, 5EK02826-5EK67192	113-1670, 113-1677, 113-1679, 113-1685, 113-1688, 113-4816	3406E TRUCK ENGINE	Turbocharged, Single Head	CTP3406278A	Out of Frame OH Gasket Set
					CTP3406278B	Inframe OH Set
					CTP3406278C	Cylinder Head Repl. Gasket Set
	5EK01821-5EK67192	113-1672, 113-1684, 113-4829	3406E TRUCK ENGINE	Turbocharged, Single Head	CTP3406279A	Out of Frame OH Gasket Set
					CTP3406279B	Inframe OH Set
					CTP3406279C	Cylinder Head Repl. Gasket Set
	5EK02551-5EK530460	113-1673	3406E TRUCK ENGINE	Turbocharged, Single Head	CTP3406280A	Out of Frame OH Gasket Set
					CTP3406280B	Inframe OH Set
					CTP3406280C	Cylinder Head Repl. Gasket Set

Prefix	Serial No.	Arrangement	Application	Comments	Part Number	Description
5EK	5EK02826-5EK67192	113-1676	3406E TRUCK ENGINE	Turbocharged, Single Head	CTP3406281A	Out of Frame OH Gasket Set
					CTP3406281B	Inframe OH Set
					CTP3406281C	Cylinder Head Repl. Gasket Set
	5EK02826-5EK67192	113-1682, 113-1683, 113-1686, 113-1687, 113-4813, 113-4814	3406E TRUCK ENGINE	Turbocharged, Single Head	CTP3406282A	Out of Frame OH Gasket Set
					CTP3406282B	Inframe OH Set
					CTP3406282C	Cylinder Head Repl. Gasket Set
	5EK02826-5EK67192	113-4815	3406E TRUCK ENGINE	Turbocharged, Single Head	CTP3406283A	Out of Frame OH Gasket Set
					CTP3406283B	Inframe OH Set
					CTP3406283C	Cylinder Head Repl. Gasket Set
	5EK02826-5EK67192, 5EK03136-5EK67192	113-4817, 113-4818, 113-4820, 113-4821	3406E TRUCK ENGINE	Turbocharged, Single Head	CTP3406284A	Out of Frame OH Gasket Set
					CTP3406284B	Inframe OH Set
					CTP3406284C	Cylinder Head Repl. Gasket Set
	5EK03136-5EK67192	113-4825	3406E TRUCK ENGINE	Turbocharged, Single Head	CTP3406285A	Out of Frame OH Gasket Set
					CTP3406285B	Inframe OH Set
					CTP3406285C	Cylinder Head Repl. Gasket Set
	5EK03136-5EK50518	113-4826, 113-4830, 113-4831, 113-4832, 113-4843	3406E TRUCK ENGINE	Turbocharged, Single Head	CTP3406286A	Out of Frame OH Gasket Set
					CTP3406286B	Inframe OH Set
					CTP3406286C	Cylinder Head Repl. Gasket Set
	5EK02719-5EK67192	113-4827, 113-4851, 113-4853	3406E TRUCK ENGINE	Turbocharged, Single Head	CTP3406287A	Out of Frame OH Gasket Set
					CTP3406287B	Inframe OH Set
					CTP3406287C	Cylinder Head Repl. Gasket Set
	5EK03349-5EK11105, 5EK03708-5EK67192	113-4834, 113-4835, 113-4857	3406E TRUCK ENGINE	Turbocharged, Single Head	CTP3406288A	Out of Frame OH Gasket Set
					CTP3406288B	Inframe OH Set
					CTP3406288C	Cylinder Head Repl. Gasket Set
	5EK03724-5EK67192	113-4838, 113-4842	3406E TRUCK ENGINE	Turbocharged, Single Head	CTP3406289A	Out of Frame OH Gasket Set
					CTP3406289B	Inframe OH Set
					CTP3406289C	Cylinder Head Repl. Gasket Set
	5EK04004-5EK50518	113-4844, 113-4849, 113-4854	3406E TRUCK ENGINE	Turbocharged, Single Head	CTP3406290A	Out of Frame OH Gasket Set
					CTP3406290B	Inframe OH Set
					CTP3406290C	Cylinder Head Repl. Gasket Set
5EK04329-5EK67192	113-4850	3406E TRUCK ENGINE	Turbocharged, Single Head	CTP3406291A	Out of Frame OH Gasket Set	
				CTP3406291B	Inframe OH Set	
				CTP3406291C	Cylinder Head Repl. Gasket Set	
5EK04004-5EK30460	113-4855	3406E TRUCK ENGINE	Turbocharged, Single Head	CTP3406292A	Out of Frame OH Gasket Set	
				CTP3406292B	Inframe OH Set	
				CTP3406292C	Cylinder Head Repl. Gasket Set	

Prefix	Serial No.	Arrangement	Application	Comments	Part Number	Description
5EK	5EK03708-5EK67192	113-4856	3406E TRUCK ENGINE	Turbocharged, Single Head	CTP3406293A	Out of Frame OH Gasket Set
					CTP3406293B	Inframe OH Set
					CTP3406293C	Cylinder Head Repl. Gasket Set
5EK	5EK03708-5EK50518	113-4858	3406E TRUCK ENGINE	Turbocharged, Single Head	CTP3406294C	Cylinder Head Repl. Gasket Set
					5EK03349-5EK67192	113-4859
5KJ	5KJ01-7999		3406E TRUCK ENGINE	ATAAC (Air to Air Aftercooled)	CTP3406061A	Out of Frame OH Gasket Set
					CTP3406061B	Inframe OH Set
					CTP3406061C	Cylinder Head Repl. Gasket Set
5KJ	5KJ7800-UP		TRUCK	ATAAC (Air to Air Aftercooled) Turbocharged With 19 Bolt Flywheel Housing	CTP3406013A	Out of Frame OH Gasket Set
					CTP3406013B	Inframe OH Set
					CTP3406013C	Cylinder Head Repl. Gasket Set
5YG	5YG01-UP	4P-1074, 4P-2961	3406, 3406B TRUCK ENGINE	Turbocharged, Single Head	CTP3406019A	Out of Frame OH Gasket Set
					CTP3406019B	Inframe OH Set
					CTP3406019C	Cylinder Head Repl. Gasket Set
6TB	6TB01-UP		INDUSTRIAL	Aftercooled, Turbocharged, With 19 Bolt Flywheel Housing	CTP3406010A	Out of Frame OH Gasket Set
					CTP3406010B	Inframe OH Set
					CTP3406010C	Cylinder Head Repl. Gasket Set
6TB	6TB3571-UP		STEIGER	Spacer Plated Aftercooled D.I Engine With 19 Bolt Flywheel Housing	CTP3406021A	Out of Frame OH Gasket Set
					CTP3406021B	Inframe OH Set
					CTP3406021C	Cylinder Head Repl. Gasket Set
6TB	6TB7990-UP	7C6843	3406, 3406B, 3406C	Turbocharged, Single Head	CTP3406297A	Out of Frame OH Gasket Set
					CTP3406297B	Inframe OH Set
					CTP3406097C	Cylinder Head Repl. Gasket Set
6TB	6TB01-UP	389-0888	3406C	Turbocharged, Single Head	CTP3406302A	Out of Frame OH Gasket Set
					CTP3406302B	Inframe OH Set
					CTP3406302C	Cylinder Head Repl. Gasket Set
6TB	6TB01-UP	109-1349, 378-1510, 378-1511	3406, 3406B, 3406C	Turbocharged, Single Head	CTP3406334A	Out of Frame OH Gasket Set
					CTP3406334B	Inframe OH Set
					CTP3406334C	Cylinder Head Repl. Gasket Set
6TB	6TB01-UP	118-1295	3406, 3406B, 3406C	Turbocharged, Single Head	CTP3406335A	Out of Frame OH Gasket Set
					CTP3406335B	Inframe OH Set
					CTP3406335C	Cylinder Head Repl. Gasket Set
6TB	6TB13880-UP	119-1787	3406, 3406C	Turbocharged, Single Head	CTP3406336A	Out of Frame OH Gasket Set
					CTP3406336B	Inframe OH Set
					CTP3406336C	Cylinder Head Repl. Gasket Set

Prefix	Serial No.	Arrangement	Application	Comments	Part Number	Description
GTB	6TB09166-UP	6I-1511	3406, 3406C	Turbocharged, Single Head	CTP3406337A	Out of Frame OH Gasket Set
					CTP3406337B	Inframe OH Set
					CTP3406337C	Cylinder Head Repl. Gasket Set
	6TB03574-UP	7C-6764	3406, 3406C	Turbocharged, Single Head	CTP3406338A	Out of Frame OH Gasket Set
					CTP3406338B	Inframe OH Set
					CTP3406338C	Cylinder Head Repl. Gasket Set
	6TB03573-UP	7C-6765	3406B, 3406C	Turbocharged, Single Head	CTP3406339A	Out of Frame OH Gasket Set
					CTP3406339B	Inframe OH Set
					CTP3406339C	Cylinder Head Repl. Gasket Set
	6TB01-UP	4W-3791	3406B, 3406C	Turbocharged, Single Head	CTP3406340A	Out of Frame OH Gasket Set
					CTP3406340B	Inframe OH Set
					CTP3406340C	Cylinder Head Repl. Gasket Set
	6TB01-UP	7C-6842	3406B, 3406C	Turbocharged, Single Head	CTP3406341A	Out of Frame OH Gasket Set
					CTP3406341B	Inframe OH Set
					CTP3406341C	Cylinder Head Repl. Gasket Set
	6TB01-UP	110-8025	3406C	Turbocharged, Single Head	CTP3406342A	Out of Frame OH Gasket Set
					CTP3406342B	Inframe OH Set
					CTP3406342C	Cylinder Head Repl. Gasket Set
	6TB01-UP	378-1506	3406C	Turbocharged, Single Head	CTP3406343A	Out of Frame OH Gasket Set
					CTP3406343B	Inframe OH Set
					CTP3406343C	Cylinder Head Repl. Gasket Set
	6TB01-UP	4W-3792, 4W-3793, 4W-3794	3406C	Turbocharged, Single Head	CTP3406344A	Out of Frame OH Gasket Set
					CTP3406344B	Inframe OH Set
					CTP3406344C	Cylinder Head Repl. Gasket Set
	6TB00001- 6TB02627	4W-3796	3406C	Turbocharged, Single Head	CTP3406345A	Out of Frame OH Gasket Set
					CTP3406345B	Inframe OH Set
					CTP3406345C	Cylinder Head Repl. Gasket Set
	6TB02752-UP	4W-3797	3406C, RR250, SS250	Turbocharged, Single Head	CTP3406346A	Out of Frame OH Gasket Set
					CTP3406346B	Inframe OH Set
					CTP3406346C	Cylinder Head Repl. Gasket Set
6TB01-UP	4W-3799	3406C	Turbocharged, Single Head	CTP3406347A	Out of Frame OH Gasket Set	
				CTP3406347B	Inframe OH Set	
				CTP3406347C	Cylinder Head Repl. Gasket Set	
6TS	6TS1-UP	TRUCK	Spacer Plated Turbo- charged Engine With 24 Bolt Flywheel Housing	CTP3406028A	Out of Frame OH Gasket Set	
				CTP3406028B	Inframe OH Set	
				CTP3406028C	Cylinder Head Repl. Gasket Set	

Prefix	Serial No.	Arrangement	Application	Comments	Part Number	Description
6TS	6TS00002- 6TS27803, 6TS00004-UP	130-9600, 130-9606, 130-9610, 130-9614, 130-9608	TRUCK	Turbocharged, Single Head	CTP3406303A	Out of Frame OH Gasket Set
					CTP3406303B	Inframe OH Set
					CTP3406303C	Cylinder Head Repl. Gasket Set
	6TS01-UP	130-9605	3406E	Turbocharged, Single Head	CTP3406304A	Out of Frame OH Gasket Set
					CTP3406304B	Inframe OH Set
					CTP3406304C	Cylinder Head Repl. Gasket Set
	6TS01-UP	130-9607, 130-9659, 130-9682, 134-4916, 131-3546, 131-3560, 131-7309, 134-4964, 134- 1662,134- 1663, 134-1696, 134-1700, 141-4287	3406E	Turbocharged, Single Head	CTP3406305A	Out of Frame OH Gasket Set
					CTP3406305B	Inframe OH Set
					CTP3406305C	Cylinder Head Repl. Gasket Set
	6TS01-UP	130-9609, 130-9613, 131-3580, 131-7368, 133-7682, 133-7746, 134-1647, 134-1699, 134-4839, 139-9710	3406E	Turbocharged, Single Head	CTP3406306A	Out of Frame OH Gasket Set
					CTP3406306B	Inframe OH Set
					CTP3406306C	Cylinder Head Repl. Gasket Set
	6TS01-UP	131-3673, 131-3674, 131-3682	3406E	Turbocharged, Single Head	CTP3406307A	Out of Frame OH Gasket Set
					CTP3406307B	Inframe OH Set
					CTP3406307C	Cylinder Head Repl. Gasket Set
	6TS01-UP	139-9985	3406E	Turbocharged, Single Head	CTP3406308A	Out of Frame OH Gasket Set
					CTP3406308B	Inframe OH Set
					CTP3406308C	Cylinder Head Repl. Gasket Set
	6TS01-UP	142-0662	3406E	Turbocharged, Single Head	CTP3406309A	Out of Frame OH Gasket Set
					CTP3406309B	Inframe OH Set
					CTP3406309C	Cylinder Head Repl. Gasket Set
	6TS01-UP	143-1047	3406E	Turbocharged, Single Head	CTP3406310A	Out of Frame OH Gasket Set
					CTP3406310B	Inframe OH Set
					CTP3406310C	Cylinder Head Repl. Gasket Set
	70V	70V4683-UP	980C	Turbocharged, Single Head	CTP3406002A	Out of Frame OH Gasket Set
					CTP3406002B	Inframe OH Set
					CTP3406002C	Cylinder Head Repl. Gasket Set

Prefix	Serial No.	Arrangement	Application	Comments	Part Number	Description
70V	70V21372-UP		824C, 825C, 826C, 980F	Spacer Plated, Turbocharged, Non Aftercooled, With 19 Bolt Flywheel Housing	CTP3406006A	Out of Frame OH Gasket Set
					CTP3406006B	Inframe OH Set
					CTP3406006C	Cylinder Head Repl. Gasket Set
	70V21372-UP		824C, 825C, 826C, 980F, 980G	Spacer Plated, Turbocharged, Aftercooled, With 24 Bolt Flywheel Housing	CTP3406007A	Out of Frame OH Gasket Set
					CTP3406007B	Inframe OH Set
					CTP3406007C	Cylinder Head Repl. Gasket Set
	70V36899-UP		16G, 16H	DITA With 24 Bolt Flywheel Housing	CTP3406008A	Out of Frame OH Gasket Set
					CTP3406008B	Inframe OH Set
					CTP3406008C	Cylinder Head Repl. Gasket Set
	70V4578-UP		245	Spacer Plated Turbocharged Aftercooled Turbocharged P.C. or D.I Engines With 19 Bolt Flywheel Housing	CTP3406012A	Out of Frame OH Gasket Set
					CTP3406012B	Inframe OH Set
					CTP3406012C	Cylinder Head Repl. Gasket Set
	70V3145-UP		621B, 623B	Spacer Plated Turbocharged Aftercooled Turbocharged P.C. or D.I Engines With 19 Bolt Flywheel Housing	CTP3406018A	Out of Frame OH Gasket Set
					CTP3406018B	Inframe OH Set
					CTP3406018C	Cylinder Head Repl. Gasket Set
	70V26356-UP		245B, 245D	Spacer Plated Turbocharged Aftercooled Turbocharged With 19 Bolt Flywheel Housing	CTP3406020A	Out of Frame OH Gasket Set
					CTP3406020B	Inframe OH Set
					CTP3406020C	Cylinder Head Repl. Gasket Set
	70V4105-UP		16G, 16H	DITA With 24 Bolt Flywheel Housing	CTP3406023A	Out of Frame OH Gasket Set
					CTP3406023B	Inframe OH Set
					CTP3406023C	Cylinder Head Repl. Gasket Set
	70V3145-UP		621E, 623E, 627E, 627F	Spacer Plated Turbocharged Non Aftercooled With 19 Bolt Flywheel Housing	CTP3406024A	Out of Frame OH Gasket Set
					CTP3406024B	Inframe OH Set
					CTP3406024C	Cylinder Head Repl. Gasket Set
	75Z	75Z1-UP	INDUSTRIAL	Aftercooled Turbocharged With 19 Bolt Flywheel Housing	CTP3406014A	Out of Frame OH Gasket Set
					CTP3406014B	Inframe OH Set
					CTP3406014C	Cylinder Head Repl. Gasket Set
7FB	7FB1-UP	3406E TRUCK ENGINE	JWAC (Jacket Water Aftercooled)	CTP3406051A	Out of Frame OH Gasket Set	
				CTP3406051B	Inframe OH Set	
				CTP3406051C	Cylinder Head Repl. Gasket Set	
	7FB1-UP	3406E TRUCK ENGINE	ATAAC (Air to Air Aftercooled)	CTP3406061A	Out of Frame OH Gasket Set	
				CTP3406061B	Inframe OH Set	
				CTP3406061C	Cylinder Head Repl. Gasket Set	

Prefix	Serial No.	Arrangement	Application	Comments	Part Number	Description
81Y	81Y1-UP		980C	Turbocharged, Single Head	CTP3406002A	Out of Frame OH Gasket Set
					CTP3406002B	Inframe OH Set
					CTP3406002C	Cylinder Head Repl. Gasket Set
8FS	8FS1-UP		INDUSTRIAL	Aftercooled Turbocharged With 19 Bolt Flywheel Housing	CTP3406030A	Out of Frame OH Gasket Set
					CTP3406030B	Inframe OH Set
					CTP3406030C	Cylinder Head Repl. Gasket Set
8PN	8PN1-UP		TRUCK	ATAAC (Air to Air Aftercooled) With 24 Bolt Flywheel Housing With Round Exhaust Ports	CTP3406026A	Out of Frame OH Gasket Set
					CTP3406026B	Inframe OH Set
					CTP3406026C	Cylinder Head Repl. Gasket Set
	8PN1-UP	119-1487	TRUCK	Turbocharged, Single Head	CTP3406301A	Out of Frame OH Gasket Set
					CTP3406301B	Inframe OH Set
					CTP3406301C	Cylinder Head Repl. Gasket Set
8TC	8TC1-UP		3406E TRUCK ENGINE	ATAAC (Air to Air Aftercooled)	CTP3406061A	Out of Frame OH Gasket Set
					CTP3406061B	Inframe OH Set
					CTP3406061C	Cylinder Head Repl. Gasket Set
90U	90U2159-UP		INDUSTRIAL	Aftercooled Turbocharged With 19 Bolt Flywheel Housing	CTP3406014A	Out of Frame OH Gasket Set
					CTP3406014B	Inframe OH Set
					CTP3406014C	Cylinder Head Repl. Gasket Set
91U	91U1-484		MARINE	Aftercooled Turbocharged 19 Bolt Flywheel Housing With Oil Feed Thru Studs	CTP3406016A	Out of Frame OH Gasket Set
					CTP3406016B	Inframe OH Set
					CTP3406016C	Cylinder Head Repl. Gasket Set
	91U00001-91U02376	4N-2239	3406C MARINE	Turbocharged, Single Head	CTP3406323A	Out of Frame OH Gasket Set
					CTP3406323B	Inframe OH Set
					CTP3406323C	Cylinder Head Repl. Gasket Set
	91U01-UP	4N-4239	3406C MARINE	Turbocharged, Single Head	CTP3406324A	Out of Frame OH Gasket Set
					CTP3406324B	Inframe OH Set
					CTP3406324C	Cylinder Head Repl. Gasket Set
	91U00862-UP	7N-2617	3406C MARINE	Turbocharged, Single Head	CTP3406325A	Out of Frame OH Gasket Set
					CTP3406325B	Inframe OH Set
					CTP3406325C	Cylinder Head Repl. Gasket Set
91U01697-91U02409	8N-9999	3406C MARINE	Turbocharged, Single Head	CTP3406326A	Out of Frame OH Gasket Set	
				CTP3406326B	Inframe OH Set	
				CTP3406326C	Cylinder Head Repl. Gasket Set	
92U	92U 5944-UP		TRUCK	Turbocharged, Single Head	CTP3406001A	Out of Frame OH Gasket Set
					CTP3406001B	Inframe OH Set
					CTP3406001C	Cylinder Head Repl. Gasket Set

Prefix	Serial No.	Arrangement	Application	Comments	Part Number	Description
92U	92U1-5943		TRUCK	With Oil Feed Thru Studs, Aftercooled, Turbocharged, With 19 Bolt Flywheel Housing	CTP3406011A	Out of Frame OH Gasket Set
					CTP3406011B	Inframe OH Set
					CTP3406011C	Cylinder Head Repl. Gasket Set
	92U721-UP		MARINE	Aftercooled Turbocharged P.C. Engine With 19 Bolt Flywheel Housing	CTP3406015A	Out of Frame OH Gasket Set
					CTP3406015B	Inframe OH Set
					CTP3406015C	Cylinder Head Repl. Gasket Set
	92U39971-92U63926, 92U38016-92U66012, 92U21746-UP, 92U29991-UP	1W-2432, 1W-2434, 9N-5510, 9N-5522, 9N-6260	3406C	Turbocharged, Single Head	CTP3406311A	Out of Frame OH Gasket Set
					CTP3406311B	Inframe OH Set
					CTP3406311C	Cylinder Head Repl. Gasket Set
	92U39971-92U65841, 92U39971-92U65900, 92U30003-UP, 92U37265-UP	1W-2433, 1W-2435, 9N-6396, 9N-6461	3406C	Turbocharged, Single Head	CTP3406312A	Out of Frame OH Gasket Set
					CTP3406312B	Inframe OH Set
					CTP3406312C	Cylinder Head Repl. Gasket Set
	92U51643-92U65520	2W-1866	3406C	Turbocharged, Single Head	CTP3406313A	Out of Frame OH Gasket Set
					CTP3406313B	Inframe OH Set
					CTP3406313C	Cylinder Head Repl. Gasket Set
	92U39370-92U64712, 92U22675-UP, 92U30003-UP	1W-4179, 9N-5501, 9N-6270	3406C	Turbocharged, Single Head	CTP3406314A	Out of Frame OH Gasket Set
					CTP3406314B	Inframe OH Set
					CTP3406314C	Cylinder Head Repl. Gasket Set
	92U55124-92U58196	2W-5761	3406C	Turbocharged, Single Head	CTP3406315A	Out of Frame OH Gasket Set
					CTP3406315B	Inframe OH Set
					CTP3406315C	Cylinder Head Repl. Gasket Set
	92U06607-92U63056	4W-2297	3406C	Turbocharged, Single Head	CTP3406316A	Out of Frame OH Gasket Set
					CTP3406316B	Inframe OH Set
					CTP3406316C	Cylinder Head Repl. Gasket Set
	92U05944-UP, 92U14045-UP	9N-2900, 9N-3950	3406C	Turbocharged, Single Head	CTP3406317A	Out of Frame OH Gasket Set
					CTP3406317B	Inframe OH Set
					CTP3406317C	Cylinder Head Repl. Gasket Set
	92U10456-UP	9N-3290	3406C	Turbocharged, Single Head	CTP3406318A	Out of Frame OH Gasket Set
					CTP3406318B	Inframe OH Set
					CTP3406318C	Cylinder Head Repl. Gasket Set
92U14048-UP, 92U14057-UP	9N-3800, 9N-3820	3406C	Turbocharged, Single Head	CTP3406319A	Out of Frame OH Gasket Set	
				CTP3406319B	Inframe OH Set	
				CTP3406319C	Cylinder Head Repl. Gasket Set	

Prefix	Serial No.	Arrangement	Application	Comments	Part Number	Description
92U	92U14048-UP	9N-3801	3406C	Turbocharged, Single Head	CTP3406320A	Out of Frame OH Gasket Set
					CTP3406320B	Inframe OH Set
					CTP3406320C	Cylinder Head Repl. Gasket Set
	92U14044-UP, 92U14057-UP	9N-3810, 9N-3940	3406C	Turbocharged, Single Head	CTP3406321A	Out of Frame OH Gasket Set
					CTP3406321B	Inframe OH Set
					CTP3406321C	Cylinder Head Repl. Gasket Set
	92U37265-UP	9N-6470	3406C	Turbocharged, Single Head	CTP3406322A	Out of Frame OH Gasket Set
					CTP3406322B	Inframe OH Set
					CTP3406322C	Cylinder Head Repl. Gasket Set
9AP	9AP00244-UP	143-3020, 143-3019	D350E, D400E, SERIES II ARTICULATED TRUCK, D400E SERIES II EJECTOR TRUCK SERIES II ARTICULATED TRUCK	Turbocharged, Single Head	CTP3406032A	Out of Frame OH Gasket Set
					CTP3406032B	Inframe OH Set
					CTP3406032C	Cylinder Head Repl. Gasket Set
9TC	9TC1-UP		D8N	Non Aftercooled With 24 Bolt Flywheel Housing	CTP3406003A	Out of Frame OH Gasket Set
					CTP3406003B	Inframe OH Set
					CTP3406003C	Cylinder Head Repl. Gasket Set
9WR	9WR01-UP	234-9228	3406C	Turbocharged, Single Head	CTP3406349A	Out of Frame OH Gasket Set
					CTP3406349B	Inframe OH Set
					CTP3406349C	Cylinder Head Repl. Gasket Set
BET	BET01-UP	160-0651, 192-4242, 235-4690	621F, 621G, 623G	Turbocharged, Single Head	CTP3406033A	Out of Frame OH Gasket Set
					CTP3406033B	Inframe OH Set
					CTP3406033C	Cylinder Head Repl. Gasket Set
	BET01-UP	160-0651, 192-4242	3406E, 627G	Turbocharged, Single Head	CTP3406034A	Out of Frame OH Gasket Set
					CTP3406034B	Inframe OH Set
					CTP3406034C	Cylinder Head Repl. Gasket Set
	BET01-UP	235-4690	3406E, 627G	Turbocharged, Single Head	CTP3406035A	Out of Frame OH Gasket Set
					CTP3406035B	Inframe OH Set
					CTP3406035C	Cylinder Head Repl. Gasket Set
	BET01-UP	249-9188	3406E, 657B	Turbocharged, Single Head	CTP3406036A	Out of Frame OH Gasket Set
					CTP3406036B	Inframe OH Set
					CTP3406036C	Cylinder Head Repl. Gasket Set
	BET01-UP	153-7076, 235-4689, 153-7076	3406E, 735	Turbocharged, Single Head	CTP3406037A	Out of Frame OH Gasket Set
					CTP3406037B	Inframe OH Set
					CTP3406037C	Cylinder Head Repl. Gasket Set
BET01-UP	153-7077, 235-4688	3406E, 735	Turbocharged, Single Head	CTP3406038A	Out of Frame OH Gasket Set	
				CTP3406038B	Inframe OH Set	
				CTP3406038C	Cylinder Head Repl. Gasket Set	

Prefix	Serial No.	Arrangement	Application	Comments	Part Number	Description
BET	BET08237-UP	169-4823	3406E, 980	Turbocharged, Single Head	CTP3406039A	Out of Frame OH Gasket Set
					CTP3406039B	Inframe OH Set
					CTP3406039C	Cylinder Head Repl. Gasket Set
	BET01-UP	213-1942, 235-1408, 235-4678, 235-4691	3406E, 980	Turbocharged, Single Head	CTP3406040A	Out of Frame OH Gasket Set
					CTP3406040B	Inframe OH Set
					CTP3406040C	Cylinder Head Repl. Gasket Set
	BET01-UP	169-4823, 213-1942, 235-1408, 235-4678	3406E, 980G	Turbocharged, Single Head	CTP3406041A	Out of Frame OH Gasket Set
					CTP3406041B	Inframe OH Set
					CTP3406041C	Cylinder Head Repl. Gasket Set
	BET01-UP	235-4680, 235-4691	3406E, 980G	Turbocharged, Single Head	CTP3406042A	Out of Frame OH Gasket Set
					CTP3406042B	Inframe OH Set
					CTP3406042C	Cylinder Head Repl. Gasket Set
	BET01-UP	157-7195	3406E, D8	Turbocharged, Single Head	CTP3406043A	Out of Frame OH Gasket Set
					CTP3406043B	Inframe OH Set
					CTP3406043C	Cylinder Head Repl. Gasket Set
	BET01-UP	157-7196	3406E, D8	Turbocharged, Single Head	CTP3406044A	Out of Frame OH Gasket Set
					CTP3406044B	Inframe OH Set
					CTP3406044C	Cylinder Head Repl. Gasket Set
	BET01-UP	235-4676, 236-6210	3406E, D8	Turbocharged, Single Head	CTP3406045A	Out of Frame OH Gasket Set
					CTP3406045B	Inframe OH Set
					CTP3406045C	Cylinder Head Repl. Gasket Set
BET01-UP	157-7195, 157-7196, 235-4676, 236-6210	3406E, D8R	Turbocharged, Single Head	CTP3406046A	Out of Frame OH Gasket Set	
				CTP3406046B	Inframe OH Set	
				CTP3406046C	Cylinder Head Repl. Gasket Set	
BKN	BKN01-UP	188-2475	3406E, 824G	Turbocharged, Single Head	CTP3406047A	Out of Frame OH Gasket Set
					CTP3406047B	Inframe OH Set
					CTP3406047C	Cylinder Head Repl. Gasket Set
BKN	BKN01-UP	235-4728	3406E, 824G	Turbocharged, Single Head	CTP3406048A	Out of Frame OH Gasket Set
					CTP3406048B	Inframe OH Set
					CTP3406048C	Cylinder Head Repl. Gasket Set
TXC	TXC01-UP	105-9697	D8R	Turbocharged, Single Head	CTP3406300A	Out of Frame OH Gasket Set
					CTP3406300B	Inframe OH Set
					CTP3406300C	Cylinder Head Repl. Gasket Set

# 3408

Prefix	Serial No.	Arrangement	Application	Comments	Part Number	Description
408	40801-UP	238-5352	MARINE	Turbocharged, Aftercooled	CTP3408035A	Out of Frame OH Gasket Set
					CTP3408035B	Inframe OH Set
					CTP3408035C	Cylinder Head Repl. Gasket Set
1TS	1TS01-UP	131-5407	3408C MARINE AUXILIARY & GENERATOR TURBOCHARGER	Turbocharged, Aftercooled	CTP3408016A	Out of Frame OH Gasket Set
					CTP3408016B	Inframe OH Set
					CTP3408016C	Cylinder Head Repl. Gasket Set
					CTP3406016D	Single Cyl. Head Repl. Gasket Set
	1TS01-UP	131-5408	3408C MARINE AUXILIARY & GENERATOR TURBOCHARGER	Turbocharged, Aftercooled	CTP3408017A	Out of Frame OH Gasket Set
					CTP3408017B	Inframe OH Set
					CTP3408017C	Cylinder Head Repl. Gasket Set
					CTP3408017D	Single Cyl. Head Repl. Gasket Set
	1TS01-UP	177-3060, 177-3061, 177-3062, 177-3063	3408C MARINE AUXILIARY & GENERATOR TURBOCHARGER	Turbocharged, Aftercooled	CTP3408018A	Out of Frame OH Gasket Set
					CTP3408018B	Inframe OH Set
					CTP3408018C	Cylinder Head Repl. Gasket Set
					CTP3408018D	Single Cyl. Head Repl. Gasket Set
28V	28V0428-UP	9N0805	TRUCK	Turbocharged, Aftercooled, With 24 Bolt Flywheel Housing	CTP3408008A	Out of Frame OH Gasket Set
					CTP3408008B	Inframe OH Set
					CTP3408008C	Cylinder Head Repl. Gasket Set
					CTP3408008D	Single Cyl. Head Repl. Gasket Set
28V	28V04750-UP	2W-4788	TRUCK 3408, 3408B	Turbocharged, Aftercooled	CTP3408044A	Out of Frame OH Gasket Set
					CTP3408044B	Inframe OH Set
					CTP3408044C	Cylinder Head Repl. Gasket Set
28V	28V00001-28V04119	9N-0801	TRUCK 3408, 3408B	Turbocharged, Aftercooled	CTP3408045A	Out of Frame OH Gasket Set
					CTP3408045B	Inframe OH Set
					CTP3408045C	Cylinder Head Repl. Gasket Set
28V	28V00001-28V04119	9N-0805	TRUCK 3408, 3408B	Turbocharged, Aftercooled	CTP3408046A	Out of Frame OH Gasket Set
					CTP3408046B	Inframe OH Set
					CTP3408046C	Cylinder Head Repl. Gasket Set
28V	28V02048-28V04747	9N-3981	TRUCK 3408, 3408B	Turbocharged, Aftercooled	CTP3408047A	Out of Frame OH Gasket Set
					CTP3408047B	Inframe OH Set
					CTP3408047C	Cylinder Head Repl. Gasket Set
28V	28V02048-28V04538	9N-5226, 9N-5229	TRUCK 3408, 3408B	Turbocharged, Aftercooled	CTP3408048A	Out of Frame OH Gasket Set
					CTP3408048B	Inframe OH Set
					CTP3408048C	Cylinder Head Repl. Gasket Set

Prefix	Serial No.	Arrangement	Application	Comments	Part Number	Description
28V	28V02048-28V04538	9N-5227, 9N-5228	TRUCK 3408, 3408B	Turbocharged, Aftercooled	CTP3408049A	Out of Frame OH Gasket Set
					CTP3408049B	Inframe OH Set
					CTP3408049C	Cylinder Head Repl. Gasket Set
	28V02616-28V03893	9N-5836	TRUCK 3408, 3408B	Turbocharged, Aftercooled	CTP3408050A	Out of Frame OH Gasket Set
					CTP3408050B	Inframe OH Set
					CTP3408050C	Cylinder Head Repl. Gasket Set
	28V03612-28V04539	9N-5900, 9N-5901	TRUCK 3408, 3408B	Turbocharged, Aftercooled	CTP3408051A	Out of Frame OH Gasket Set
					CTP3408051B	Inframe OH Set
					CTP3408051C	Cylinder Head Repl. Gasket Set
48W	48W177927-UP	4FB1-UP	D8L	Turbocharged, Aftercooled, With 19 Bolt Flywheel Housing	CTP3408001A	Out of Frame OH Gasket Set
					CTP3408001B	Inframe OH Set
					CTP3408001C	Cylinder Head Repl. Gasket Set
					CTP3408001D	Single Cyl. Head Repl. Gasket Set
	48W950-UP	4N6724	988B	Non Turbocharged, With 19 Bolt Flywheel Housing	CTP3408003A	Out of Frame OH Gasket Set
					CTP3408003B	Inframe OH Set
					CTP3408003C	Cylinder Head Repl. Gasket Set
					CTP3408003D	Single Cyl. Head Repl. Gasket Set
	48W1-UP		768C, 769C	Turbocharged, Aftercooled, With 19 Bolt Flywheel Housing	CTP3408004A	Out of Frame OH Gasket Set
					CTP3408004B	Inframe OH Set
					CTP3408004C	Cylinder Head Repl. Gasket Set
					CTP3408004D	Single Cyl. Head Repl. Gasket Set
	48W23086-UP		D9N	Turbocharged, Aftercooled, D.I., With 19 Bolt Flywheel Housing	CTP3408005A	Out of Frame OH Gasket Set
					CTP3408005B	Inframe OH Set
					CTP3408005C	Cylinder Head Repl. Gasket Set
					CTP3408005D	Single Cyl. Head Repl. Gasket Set
	48W950-UP		631D FRONT, 633D FRONT, 637D FRONT	Turbocharged, Aftercooled, With 24 Bolt Flywheel Housing	CTP3408006A	Out of Frame OH Gasket Set
					CTP3408006B	Inframe OH Set
CTP3408006C					Cylinder Head Repl. Gasket Set	
CTP3408006D					Single Cyl. Head Repl. Gasket Set	
48W19968-UP	1W3782	631E FRONT, 637E FRONT, 657E REAR	Turbocharged, Aftercooled, With 24 Bolt Flywheel Housing	CTP3408009A	Out of Frame OH Gasket Set	
				CTP3408009B	Inframe OH Set	
				CTP3408009C	Cylinder Head Repl. Gasket Set	
				CTP3408009D	Single Cyl. Head Repl. Gasket Set	
48W13008-48W17791	2Y8918, 7N2010	D8L	Non Turbocharged, With 19 Bolt Flywheel Housing	CTP3408010A	Out of Frame OH Gasket Set	
				CTP3408010B	Inframe OH Set	
				CTP3408010C	Cylinder Head Repl. Gasket Set	
				CTP3408010D	Single Cyl. Head Repl. Gasket Set	

Prefix	Serial No.	Arrangement	Application	Comments	Part Number	Description	
48W	48W35089-UP	4P4988	988F	Non Turbocharged, With 19 Bolt Flywheel Housing	CTP3408011A	Out of Frame OH Gasket Set	
					CTP3408011B	Inframe OH Set	
					CTP3408011C	Cylinder Head Repl. Gasket Set	
					CTP3408011D	Single Cyl. Head Repl. Gasket Set	
	48W01-UP		589 T, 631D, 631E, 633D, 637D, 637E, 639D, 657E, 768C, 769C, 771C, 834B, 836 L, 988B, 988F, D8L T, D9R T	Turbocharged	CTP3408015A	Out of Frame OH Gasket Set	
					CTP3408015B	Inframe OH Set	
					CTP3408015C	Cylinder Head Repl. Gasket Set	
					CTP3408015D	Single Cyl. Head Repl. Gasket Set	
	48W01-UP	139-3291, 206-1494, 362-6597	D9R	Turbocharged, Aftercooled	CTP3408019A	Out of Frame OH Gasket Set	
					CTP3408019B	Inframe OH Set	
					CTP3408019C	Cylinder Head Repl. Gasket Set	
	5XD	5XD01-UP	163-5784	D9R	Turbocharged, Aftercooled	CTP3408021A	Out of Frame OH Gasket Set
CTP3408021B						Inframe OH Set	
CTP3408021C						Cylinder Head Repl. Gasket Set	
5XD	5XD01-UP	163-5785	D9R	Turbocharged, Aftercooled	CTP3408022A	Out of Frame OH Gasket Set	
					CTP3408022B	Inframe OH Set	
					CTP3408022C	Cylinder Head Repl. Gasket Set	
67U	67U1335-UP	4N2242	INDUSTRIAL	Turbocharged, Aftercooled, With 24 Bolt Flywheel Housing	CTP3408002A	Out of Frame OH Gasket Set	
					CTP3408002B	Inframe OH Set	
					CTP3408002C	Cylinder Head Repl. Gasket Set	
					CTP3408002D	Single Cyl. Head Repl. Gasket Set	
	67U06890-UP		118-1297, 119-1046	INDUSTRIAL 3408,3408B	Turbocharged, Aftercooled	CTP3408036A	Out of Frame OH Gasket Set
						CTP3408036B	Inframe OH Set
						CTP3408036C	Cylinder Head Repl. Gasket Set
	67U07065-UP		1W-1023, 1W-1024, 1W-1025, 1W-2559	INDUSTRIAL 3408,3408B	Turbocharged, Aftercooled	CTP3408037A	Out of Frame OH Gasket Set
						CTP3408037B	Inframe OH Set
						CTP3408037C	Cylinder Head Repl. Gasket Set
	67U11076-67U11120		2W-3820, 2W-3821, 2W-3825	INDUSTRIAL 3408,3408B	Turbocharged, Aftercooled	CTP3408038A	Out of Frame OH Gasket Set
						CTP3408038B	Inframe OH Set
CTP3408038C						Cylinder Head Repl. Gasket Set	
67U01-UP	4W-7473	INDUSTRIAL 3408, 3408B, 3408C	Turbocharged, Aftercooled	CTP3408039A	Out of Frame OH Gasket Set		
				CTP3408039B	Inframe OH Set		
				CTP3408039C	Cylinder Head Repl. Gasket Set		
67U01-UP	4W-7474, 4W-7475	INDUSTRIAL 3408,3408B	Turbocharged, Aftercooled	CTP3408040A	Out of Frame OH Gasket Set		
				CTP3408040B	Inframe OH Set		
				CTP3408040C	Cylinder Head Repl. Gasket Set		



Prefix	Serial No.	Arrangement	Application	Comments	Part Number	Description
67U	67U02792-67U04955	6N-6897	INDUSTRIAL 3408,3408B	Turbocharged, Aftercooled	CTP3408041A	Out of Frame OH Gasket Set
					CTP3408041B	Inframe OH Set
					CTP3408041C	Cylinder Head Repl. Gasket Set
	67U01-UP	7C-6766	INDUSTRIAL 3408,3408B	Turbocharged, Aftercooled	CTP3408042A	Out of Frame OH Gasket Set
					CTP3408042B	Inframe OH Set
					CTP3408042C	Cylinder Head Repl. Gasket Set
	67U04956-67U10922	8N-9721	INDUSTRIAL	Turbocharged, Aftercooled	CTP3408043A	Out of Frame OH Gasket Set
					CTP3408043B	Inframe OH Set
					CTP3408043C	Cylinder Head Repl. Gasket Set
73W	73W3857-UP	1W3782	631E FRONT, 637E FRONT, 657E REAR	Turbocharged, Aftercooled, With 24 Bolt Flywheel Housing	CTP3408009A	Out of Frame OH Gasket Set
					CTP3408009B	Inframe OH Set
					CTP3408009C	Cylinder Head Repl. Gasket Set
					CTP3408009D	Single Cyl. Head Repl. Gasket Set
77M	77M01-UP	1W3782	631E FRONT, 637E FRONT, 657E REAR	Turbocharged, Aftercooled, With 24 Bolt Flywheel Housing	CTP3408009A	Out of Frame OH Gasket Set
					CTP3408009B	Inframe OH Set
					CTP3408009C	Cylinder Head Repl. Gasket Set
					CTP3408009D	Single Cyl. Head Repl. Gasket Set
	77M01-UP	2Y8918, 7N2010	D8L	Non Turbocharged, With 19 Bolt Flywheel Housing	CTP3408010A	Out of Frame OH Gasket Set
					CTP3408010B	Inframe OH Set
					CTP3408010C	Cylinder Head Repl. Gasket Set
					CTP3408010D	Single Cyl. Head Repl. Gasket Set
78Z	78Z01-UP	4N2243	MARINE	Turbocharged, Aftercooled, With 24 Bolt Flywheel Housing	CTP3408007A	Out of Frame OH Gasket Set
					CTP3408007B	Inframe OH Set
					CTP3408007C	Cylinder Head Repl. Gasket Set
					CTP3408007D	Single Cyl. Head Repl. Gasket Set
	78Z00001-78Z00991	1W-9397, 1W-9400, 1W-9401, 1W-9402, 1W-9403, 1W-9404	GENERATOR 3408, 3408B	Turbocharged, Aftercooled	CTP3408023A	Out of Frame OH Gasket Set
					CTP3408023B	Inframe OH Set
					CTP3408023C	Cylinder Head Repl. Gasket Set
	78Z00001-78Z01047	1W-9398, 1W-9399	GENERATOR 3408, 3408B	Turbocharged, Aftercooled	CTP3408024A	Out of Frame OH Gasket Set
					CTP3408024B	Inframe OH Set
					CTP3408024C	Cylinder Head Repl. Gasket Set
	78Z00001-78Z00850	1W-9405	GENERATOR 3408, 3408B	Turbocharged, Aftercooled	CTP3408025A	Out of Frame OH Gasket Set
					CTP3408025B	Inframe OH Set
					CTP3408025C	Cylinder Head Repl. Gasket Set
	78Z00001-78Z01171	1W-9406, 1W-9407, 1W-9408	GENERATOR 3408, 3408B	Turbocharged, Aftercooled	CTP3408026A	Out of Frame OH Gasket Set
					CTP3408026B	Inframe OH Set
CTP3408026C					Cylinder Head Repl. Gasket Set	

Prefix	Serial No.	Arrangement	Application	Comments	Part Number	Description
78Z	78Z01180-UP	4W-8044, 4W-8045, 4W-8046, 4W-8047, 4W-8048, 4W-8049	GENERATOR 3408, 3408B	Turbocharged, Aftercooled	CTP3408027A	Out of Frame OH Gasket Set
					CTP3408027B	Inframe OH Set
					CTP3408027C	Cylinder Head Repl. Gasket Set
	78Z01-UP	4W-9125, 4W-9127	GENERATOR 3408, 3408B, 3408C	Turbocharged, Aftercooled	CTP3408028A	Out of Frame OH Gasket Set
					CTP3408028B	Inframe OH Set
					CTP3408028C	Cylinder Head Repl. Gasket Set
	78Z01144-78Z01647, 78Z01653-78Z01911	4W-9126, 4W-6921	GENERATOR 3408, 3408B	Turbocharged, Aftercooled	CTP3408029A	Out of Frame OH Gasket Set
					CTP3408029B	Inframe OH Set
					CTP3408029C	Cylinder Head Repl. Gasket Set
	78Z01-UP	4W-9128, 4W-9129, 4W-9130	GENERATOR 3408, 3408B	Turbocharged, Aftercooled	CTP3408030A	Out of Frame OH Gasket Set
					CTP3408030B	Inframe OH Set
					CTP3408030C	Cylinder Head Repl. Gasket Set
99C	99C01-UP	2032787	69D, 771D, 834B, 836C	Turbocharged, Aftercooled, With 19 Bolt Flywheel Housing, HEUI® Engine	CTP3408012A	Out of Frame OH Gasket Set
					CTP3408012B	Inframe OH Set
					CTP3408012C	Cylinder Head Repl. Gasket Set
					CTP3408012D	Single Cyl. Head Repl. Gasket Set
	99C01-UP	1221116	988F	Turbocharged, Aftercooled, With 19 Bolt Flywheel Housing, HEUI® Engine	CTP3408013A	Out of Frame OH Gasket Set
					CTP3408013B	Inframe OH Set
					CTP3408013C	Cylinder Head Repl. Gasket Set
					CTP3408013D	Single Cyl. Head Repl. Gasket Set
	99C01-UP		631E FRONT	Turbocharged, Aftercooled, With 19 Bolt Flywheel Housing, HEUI® Engine	CTP3408014A	Out of Frame OH Gasket Set
					CTP3408014B	Inframe OH Set
					CTP3408014C	Cylinder Head Repl. Gasket Set
					CTP3408014D	Single Cyl. Head Repl. Gasket Set
99C01-UP	139-3288	D9R	Turbocharged, Aftercooled	CTP3408020A	Out of Frame OH Gasket Set	
				CTP3408020B	Inframe OH Set	
				CTP3408020C	Cylinder Head Repl. Gasket Set	
99U	99U585-UP	4N2243	MARINE	Turbocharged, Aftercooled, With 24 Bolt Flywheel Housing	CTP3408007A	Out of Frame OH Gasket Set
					CTP3408007B	Inframe OH Set
					CTP3408007C	Cylinder Head Repl. Gasket Set
					CTP3408007D	Single Cyl. Head Repl. Gasket Set
99U01-UP	116-7139, 156-6896, 177-3057, 177-3058, 177-3059, 4W-4000, 4W-8050	MARINE	Turbocharged, Aftercooled	CTP3408031A	Out of Frame OH Gasket Set	
				CTP3408031B	Inframe OH Set	
				CTP3408031C	Cylinder Head Repl. Gasket Set	

Prefix	Serial No.	Arrangement	Application	Comments	Part Number	Description
99U	99U01-UP	2W-6101	MARINE	Turbocharged, Aftercooled	CTP3408032A	Out of Frame OH Gasket Set
					CTP3408032B	Inframe OH Set
					CTP3408032C	Cylinder Head Repl. Gasket Set
	99U01-UP	7C-6039, 7W-7583	MARINE	Turbocharged, Aftercooled	CTP3408033A	Out of Frame OH Gasket Set
					CTP3408033B	Inframe OH Set
					CTP3408033C	Cylinder Head Repl. Gasket Set
	99U02729-04220	8N-6663	MARINE	Turbocharged, Aftercooled	CTP3408034A	Out of Frame OH Gasket Set
					CTP3408034B	Inframe OH Set
					CTP3804034C	Cylinder Head Repl. Gasket Set
9ER	9ER01-UP	130-2732, 130-8403, 130-2732, 130-8403	INDUSTRIAL 3408, 3408B, 3408C	Turbocharged, Aftercooled	CTP3408052A	Out of Frame OH Gasket Set
					CTP3408052B	Inframe OH Set
					CTP3408052C	Cylinder Head Repl. Gasket Set
	9ER01-UP	131-1229	INDUSTRIAL 3408, 3408B	Turbocharged, Aftercooled	CTP3408053A	Out of Frame OH Gasket Set
					CTP3408053B	Inframe OH Set
					CTP3408053C	Cylinder Head Repl. Gasket Set

# 3412

Prefix	Serial No.	Arrangement	Application	Comments	Part Number	Description
1EZ	1EZ01-UP		INDUSTRIAL	Turbocharged, Aftercooled, With 4 SEQ Turbos, With 19 Bolt Flywheel Housing	CTP3412005A	Out of Frame OH Gasket Set
					CTP3412005B	Inframe OH Set
					CTP3412005C	Cylinder Head Repl. Gasket Set
					CTP3412005D	Single Cyl. Head Repl. Gasket Set
2WJ	2WJ01-UP		INDUSTRIAL	Turbocharged, Aftercooled, With 4 SEQ Turbos, With 19 Bolt Flywheel Housing	CTP3412005A	Out of Frame OH Gasket Set
					CTP3412005B	Inframe OH Set
					CTP3412005C	Cylinder Head Repl. Gasket Set
					CTP3412005D	Single Cyl. Head Repl. Gasket Set
38S	38S01-UP		INDUSTRIAL	Turbocharged, Aftercooled, With 4 SEQ Turbos, With 19 Bolt Flywheel Housing	CTP3412005A	Out of Frame OH Gasket Set
					CTP3412005B	Inframe OH Set
					CTP3412005C	Cylinder Head Repl. Gasket Set
					CTP3412005D	Single Cyl. Head Repl. Gasket Set

Prefix	Serial No.	Arrangement	Application	Comments	Part Number	Description
38S	38S01-UP	118-1296, 119-1047	3412	Turbocharged	CTP3412013A	Out of Frame OH Gasket Set
					CTP3412013B	Inframe OH Set
					CTP3412013C	Cylinder Head Repl. Gasket Set
					CTP3412013D	Single Cyl. Head Repl. Gasket Set
	38S01-UP	4W-1757	INDUSTRIAL	Turbocharged	CTP3412024A	Out of Frame OH Gasket Set
					CTP3412024B	Inframe OH Set
					CTP3412024C	Cylinder Head Repl. Gasket Set
					CTP3412024D	Single Cyl. Head Repl. Gasket Set
	38S01-UP	4W-1756	INDUSTRIAL	Turbocharged	CTP3412025A	Out of Frame OH Gasket Set
					CTP3412025B	Inframe OH Set
					CTP3412025C	Cylinder Head Repl. Gasket Set
					CTP3412025D	Single Cyl. Head Repl. Gasket Set
38S01-UP	7N-7708	MACHINE	Turbocharged	CTP3412026A	Out of Frame OH Gasket Set	
				CTP3412026B	Inframe OH Set	
				CTP3412026C	Cylinder Head Repl. Gasket Set	
				CTP3412026D	Single Cyl. Head Repl. Gasket Set	
38S01-UP	119-0529	MACHINE	Turbocharged	CTP3412027A	Out of Frame OH Gasket Set	
				CTP3412027B	Inframe OH Set	
				CTP3412027C	Cylinder Head Repl. Gasket Set	
				CTP3412027D	Single Cyl. Head Repl. Gasket Set	
38S01-UP	179-4784	MACHINE	Turbocharged	CTP3412028A	Out of Frame OH Gasket Set	
				CTP3412028B	Inframe OH Set	
				CTP3412028C	Cylinder Head Repl. Gasket Set	
				CTP3412028D	Single Cyl. Head Repl. Gasket Set	
38S06689-UP	1N-3719	INDUSTRIAL	Turbocharged	CTP3412029A	Out of Frame OH Gasket Set	
				CTP3412029B	Inframe OH Set	
				CTP3412029C	Cylinder Head Repl. Gasket Set	
				CTP3412029D	Single Cyl. Head Repl. Gasket Set	
38S08454-38S12006	1N-4754	MACHINE	Turbocharged	CTP3412030A	Out of Frame OH Gasket Set	
				CTP3412030B	Inframe OH Set	
				CTP3412030C	Cylinder Head Repl. Gasket Set	
				CTP3412030D	Single Cyl. Head Repl. Gasket Set	
38S08932-38S12006	1N-4812, 1W-2325, 1W-2326, 1W-2327	MACHINE	Turbocharged	CTP3412031A	Out of Frame OH Gasket Set	
				CTP3412031B	Inframe OH Set	
				CTP3412031C	Cylinder Head Repl. Gasket Set	
				CTP3412031D	Single Cyl. Head Repl. Gasket Set	

Prefix	Serial No.	Arrangement	Application	Comments	Part Number	Description
38S	38S08932-38S12006	1W-2328, 1W-2329, 1W-2330	MACHINE	Turbocharged	CTP3412032A	Out of Frame OH Gasket Set
					CTP3412032B	Inframe OH Set
					CTP3412032C	Cylinder Head Repl. Gasket Set
					CTP3412032D	Single Cyl. Head Repl. Gasket Set
	38S09112-38S12006	1W-5202	MACHINE	Turbocharged	CTP3412033A	Out of Frame OH Gasket Set
					CTP3412033B	Inframe OH Set
					CTP3412033C	Cylinder Head Repl. Gasket Set
					CTP3412033D	Single Cyl. Head Repl. Gasket Set
	38S12525-38S14268	2W-6069	INDUSTRIAL	Turbocharged	CTP3412034A	Out of Frame OH Gasket Set
					CTP3412034B	Inframe OH Set
					CTP3412034C	Cylinder Head Repl. Gasket Set
					CTP3412034D	Single Cyl. Head Repl. Gasket Set
	38S01-UP	6N-1154	MACHINE	Turbocharged	CTP3412035A	Out of Frame OH Gasket Set
					CTP3412035B	Inframe OH Set
					CTP3412035C	Cylinder Head Repl. Gasket Set
					CTP3412035D	Single Cyl. Head Repl. Gasket Set
	38S01-UP	6N-1155	INDUSTRIAL	Turbocharged	CTP3412036A	Out of Frame OH Gasket Set
					CTP3412036B	Inframe OH Set
					CTP3412036C	Cylinder Head Repl. Gasket Set
					CTP3412036D	Single Cyl. Head Repl. Gasket Set
38S01-UP	6N-1156	MACHINE	Turbocharged	CTP3412037A	Out of Frame OH Gasket Set	
				CTP3412037B	Inframe OH Set	
				CTP3412037C	Cylinder Head Repl. Gasket Set	
				CTP3412037D	Single Cyl. Head Repl. Gasket Set	
38S01-38S13236	6N-4998, 6N-1158	MACHINE	Turbocharged	CTP3412038A	Out of Frame OH Gasket Set	
				CTP3412038B	Inframe OH Set	
				CTP3412038C	Cylinder Head Repl. Gasket Set	
4CR	4CR00493-UP	131-4014	3412E, INDUSTRIAL	Turbocharged	CTP3412009A	Out of Frame OH Gasket Set
					CTP3412009B	Inframe OH Set
					CTP3412009C	Cylinder Head Repl. Gasket Set
					CTP3412009D	Single Cyl. Head Repl. Gasket Set
	4CR01-UP	125-0502	INDUSTRIAL	Turbocharged, Aftercooled, With 19 Bolt Flywheel Housing, HEUI® Engine	CTP3412010A	Out of Frame OH Gasket Set
					CTP3412010B	Inframe OH Set
					CTP3412010C	Cylinder Head Repl. Gasket Set
					CTP3412010D	Single Cyl. Head Repl. Gasket Set

Prefix	Serial No.	Arrangement	Application	Comments	Part Number	Description
60M	60M01-UP		MARINE	Turbocharged, Aftercooled, With 19 Bolt Flywheel Housing	CTP3412006A	Out of Frame OH Gasket Set
					CTP3412006B	Inframe OH Set
					CTP3412006C	Cylinder Head Repl. Gasket Set
					CTP3412006D	Single Cyl. Head Repl. Gasket Set
	60M01-UP	124-3400, 130-2549, 4W-3920, 7W-7584	MARINE	Turbocharged	CTP3412018A	Out of Frame OH Gasket Set
					CTP3412018B	Inframe OH Set
					CTP3412018C	Cylinder Head Repl. Gasket Set
					CTP3412018D	Single Cyl. Head Repl. Gasket Set
	60M01-UP	179-0769	MARINE	Turbocharged	CTP3412019A	Out of Frame OH Gasket Set
					CTP3412019B	Inframe OH Set
					CTP3412019C	Cylinder Head Repl. Gasket Set
					CTP3412019D	Single Cyl. Head Repl. Gasket Set
	60M01-UP	179-0770	MARINE	Turbocharged	CTP3412020A	Out of Frame OH Gasket Set
					CTP3412020B	Inframe OH Set
					CTP3412020C	Cylinder Head Repl. Gasket Set
					CTP3412020D	Single Cyl. Head Repl. Gasket Set
	60M01-UP	179-0771	MARINE	Turbocharged	CTP3412021A	Out of Frame OH Gasket Set
					CTP3412021B	Inframe OH Set
					CTP3412021C	Cylinder Head Repl. Gasket Set
					CTP3412021D	Single Cyl. Head Repl. Gasket Set
60M01-UP	185-5890	MARINE	Turbocharged	CTP3412022A	Out of Frame OH Gasket Set	
				CTP3412022B	Inframe OH Set	
				CTP3412022C	Cylinder Head Repl. Gasket Set	
				CTP3412022D	Single Cyl. Head Repl. Gasket Set	
60M01-UP	1W-0733, 1W-3500, 4N-2247, 6N-1160	MARINE	Turbocharged	CTP3412023A	Out of Frame OH Gasket Set	
				CTP3412023B	Inframe OH Set	
				CTP3412023C	Cylinder Head Repl. Gasket Set	
				CTP3412023D	Single Cyl. Head Repl. Gasket Set	
73W	73W01-UP, MACHINE: 42X1-UP, 49Z1-UP, 7HK1-UP, 7MJ1-UP		990B, 992C, 992D	Turbocharged, Aftercooled, With 19 Bolt Flywheel Housing	CTP3412001A	Out of Frame OH Gasket Set
					CTP3412001B	Inframe OH Set
					CTP3412001C	Cylinder Head Repl. Gasket Set
					CTP3412001D	Single Cyl. Head Repl. Gasket Set
		73W01-UP, MACHINE: 64W1-UP, 63W1-UP, 7XJ1-UP		772B, 773B, 775B	Turbocharged, Aftercooled, With 19 Bolt Flywheel Housing	CTP3412002A
					CTP3412002B	Inframe OH Set
					CTP3412002C	Cylinder Head Repl. Gasket Set
					CTP3412002D	Single Cyl. Head Repl. Gasket Set

Prefix	Serial No.	Arrangement	Application	Comments	Part Number	Description	
73W	73W8338-UP, MACHINE: 2YD1-UP	D10N		Aftercooled Turbocharged D.I. Engine, With 19 Bolt Flywheel Housing	CTP3412003A	Out of Frame OH Gasket Set	
					CTP3412003B	Inframe OH Set	
					CTP3412003C	Cylinder Head Repl. Gasket Set	
					CTP3412003D	Single Cyl. Head Repl. Gasket Set	
	73W1224-UP, MACHINE: 14Y1-UP	D9L		Turbocharged, With 19 Bolt Flywheel Housing	CTP3412007A	Out of Frame OH Gasket Set	
					CTP3412007B	Inframe OH Set	
					CTP3412007C	Cylinder Head Repl. Gasket Set	
					CTP3412007D	Single Cyl. Head Repl. Gasket Set	
	73W3857-UP, MACHINE: 89Z1-UP, 90Z1UP, 91Z1-UP	651E FRONT, 657E FRONT		Turbocharged, Aftercooled, With 19 Bolt Flywheel Housing	CTP3412008A	Out of Frame OH Gasket Set	
					CTP3412008B	Inframe OH Set	
					CTP3412008C	Cylinder Head Repl. Gasket Set	
					CTP3412008D	Single Cyl. Head Repl. Gasket Set	
80M	80M01-UP, MACHINE: 3KR1-UP, 4YR1-UP, 4XR1-UP, 5YR1-UP, 6TR1-UP	D10R, 651E, 657E		Turbocharged, Aftercooled, HEUI® Engine, With 19 Bolt Flywheel Housing	CTP3412004A	Out of Frame OH Gasket Set	
					CTP3412004B	Inframe OH Set	
					CTP3412004C	Cylinder Head Repl. Gasket Set	
					CTP3412004D	Single Cyl. Head Repl. Gasket Set	
	80M01-UP	122-1117	844, 990		Turbocharged, Aftercooled, HEUI ® Engine	CTP3412012A	Out of Frame OH Gasket Set
						CTP3412012B	Inframe OH Set
						CTP3412012C	Cylinder Head Repl. Gasket Set
						CTP3412012D	Single Cyl. Head Repl. Gasket Set
	81Z1-UP	81Z	INDUSTRIAL		Turbocharged, Aftercooled, With 4 SEQ Turbos, With 19 Bolt Flywheel Housing	CTP3412005A	Out of Frame OH Gasket Set
						CTP3412005B	Inframe OH Set
						CTP3412005C	Cylinder Head Repl. Gasket Set
						CTP3412005D	Single Cyl. Head Repl. Gasket Set
9BR	9BR01-UP	MARINE		Turbocharged, Aftercooled, With 19 Bolt Flywheel Housing	CTP3412006A	Out of Frame OH Gasket Set	
					CTP3412006B	Inframe OH Set	
					CTP3412006C	Cylinder Head Repl. Gasket Set	
					CTP3412006D	Single Cyl. Head Repl. Gasket Set	
	9BR01-UP	179-0773, 179-3232, 179-0775	MARINE		Turbocharged	CTP3412015A	Out of Frame OH Gasket Set
						CTP3412015B	Inframe OH Set
						CTP3412015C	Cylinder Head Repl. Gasket Set
						CTP3412015D	Single Cyl. Head Repl. Gasket Set
9BR01-UP	179-0778 , 179-0780, 183-5416	MARINE		Turbocharged	CTP3412016A	Out of Frame OH Gasket Set	
					CTP3412016B	Inframe OH Set	
					CTP3412016C	Cylinder Head Repl. Gasket Set	
					CTP3412016D	Single Cyl. Head Repl. Gasket Set	

Prefix	Serial No.	Arrangement	Application	Comments	Part Number	Description
9PW	9PW01-UP	176-5664, 183-3882, 183-3885	MARINE	Turbocharged	CTP3412017A	Out of Frame OH Gasket Set
					CTP3412017B	Inframe OH Set
					CTP3412017C	Cylinder Head Repl. Gasket Set
					CTP3412017D	Single Cyl. Head Repl. Gasket Set
	9PW01-UP	176-5733, 177-1648	3412E MARINE	Turbocharged	CTP3412014A	Out of Frame OH Gasket Set
					CTP3412014B	Inframe OH Set
					CTP3412014C	Cylinder Head Repl. Gasket Set

## 3456

Prefix	Serial No.	Arrangement	Application	Comments	Part Number	Description
7RC	7RC01-UP	133-3840, 180- 4188, 238-1807	988G		CTP3456001A	Out of Frame OH Gasket Set
					CTP3456001B	Inframe OH Set
					CTP3456001C	Cylinder Head Repl. Gasket Set

## 3508

Prefix	Serial No.	Arrangement	Application	Comments	Part Number	Description	
1TW	1TW01-UP	100-8316, 100- 8325, 173-6943	MARINE	Turbocharged Aftercooled	CTP3508009A	Out of Frame OH Gasket Set	
					CTP3508009B	Inframe OH Set	
					CTP3508009C	Cylinder Head Repl. Gasket Set	
					CTP3508009D	Single Cyl. Head Repl. Gasket Set	
23Z	23Z01-UP	1W4210, 1W4211, 2W8406, 4W0280, 4W0281, 7N8701, 7N8704, 143-8159	INDUSTRIAL, GENERATOR	Turbocharged Aftercooled	CTP3508005A	Out of Frame OH Gasket Set	
					CTP3508005B	Inframe OH Set	
					CTP3508005C	Cylinder Head Repl. Gasket Set	
					CTP3508005D	Single Cyl. Head Repl. Gasket Set	
	23Z01-UP			INDUSTRIAL, GENERATOR, MARINE	Aftercooled Turbocharged, Wet Exhaust Manifolds	CTP3508006A	Out of Frame OH Gasket Set
						CTP3508006B	Inframe OH Set
						CTP3508006C	Cylinder Head Repl. Gasket Set
						CTP3508006D	Single Cyl. Head Repl. Gasket Set
2GR	2GR01-UP	104-4777, 107- 8762, 135-0135, 155-0537, 155- 5556, 161-1592, 163-2630	D11R, 776D, 777D, 854G, 992G, 5130B	Turbocharged Aftercooled	CTP3508003A	Out of Frame OH Gasket Set	
					CTP3508003B	Inframe OH Set	
					CTP3508003C	Cylinder Head Repl. Gasket Set	
					CTP3508003D	Single Cyl. Head Repl. Gasket Set	

Prefix	Serial No.	Arrangement	Application	Comments	Part Number	Description	
2HW	2GR01-UP	276-9836	777D	Turbocharged Aftercooled	CTP3508014A	Out of Frame OH Gasket Set	
					CTP3508014B	Inframe OH Set	
					CTP3508014C	Cylinder Head Repl. Gasket Set	
	2HW01-UP		GENERATOR	Turbocharged. EUI, Dry Exhaust Manifolds	CTP3508007C	Cylinder Head Repl. Gasket Set	
					CTP3508007D	Single Cyl. Head Repl. Gasket Set	
	2HW01-UP	133-9939, 162-8846, 174-4949	3508C GENERATOR	Turbocharged Aftercooled	CTP3508010A	Out of Frame OH Gasket Set	
					CTP3508010B	Inframe OH Set	
					CTP3508010C	Cylinder Head Repl. Gasket Set	
	3DM	3DM01-UP	100-8316, 100-8325, 173-6943	MARINE	Turbocharged Aftercooled	CTP3508009A	Out of Frame OH Gasket Set
CTP3508009B						Inframe OH Set	
CTP3508009C						Cylinder Head Repl. Gasket Set	
CTP3508009D						Single Cyl. Head Repl. Gasket Set	
3DM01-UP		173-6952	3508C	Turbocharged Aftercooled	CTP3508017A	Out of Frame OH Gasket Set	
					CTP3508017B	Inframe OH Set	
					CTP3508017C	Cylinder Head Repl. Gasket Set	
3DM01-UP		173-6953	3508C	Turbocharged Aftercooled	CTP3508018A	Out of Frame OH Gasket Set	
					CTP3508018B	Inframe OH Set	
					CTP3508018C	Cylinder Head Repl. Gasket Set	
3LS		3LS01-UP	129-5489	3508C	Turbocharged Aftercooled	CTP3508029A	Out of Frame OH Gasket Set
						CTP3508029B	Inframe OH Set
	CTP3508029C					Cylinder Head Repl. Gasket Set	
3PS	3PS01-UP	129-5492	3508C MARINE	Turbocharged Aftercooled	CTP3508036A	Out of Frame OH Gasket Set	
					CTP3508036B	Inframe OH Set	
					CTP3508036C	Cylinder Head Repl. Gasket Set	
4GM	4GM01-UP		GENERATOR	Turbocharged. EUI, Dry Exhaust Manifolds	CTP3508007C	Cylinder Head Repl. Gasket Set	
					CTP3508007D	Single Cyl. Head Repl. Gasket Set	
68Z	68Z01-UP	1W4210, 1W4211, 2W8406, 4W0280, 4W0281, 7N8701, 7N8704, 143-8159	INDUSTRIAL, GENERATOR	Turbocharged Aftercooled	CTP3508005A	Out of Frame OH Gasket Set	
					CTP3508005B	Inframe OH Set	
					CTP3508005C	Cylinder Head Repl. Gasket Set	
					CTP3508005D	Single Cyl. Head Repl. Gasket Set	

Prefix	Serial No.	Arrangement	Application	Comments	Part Number	Description
68Z	68Z01-UP		INDUSTRIAL, GENERATOR, MARINE	Aftercooled Turbocharged, Wet Exhaust Manifolds	CTP3508006A	Out of Frame OH Gasket Set
					CTP3508006B	Inframe OH Set
					CTP3508006C	Cylinder Head Repl. Gasket Set
					CTP3508006D	Single Cyl. Head Repl. Gasket Set
69Z	69Z01-UP		INDUSTRIAL, GENERATOR, MARINE	Aftercooled Turbocharged, Wet Exhaust Manifolds	CTP3508006A	Out of Frame OH Gasket Set
					CTP3508006B	Inframe OH Set
					CTP3508006C	Cylinder Head Repl. Gasket Set
					CTP3508006D	Single Cyl. Head Repl. Gasket Set
69Z	69Z01-UP	2W-8866	3508C	Turbocharged Aftercooled	CTP3508016A	Out of Frame OH Gasket Set
					CTP3508016B	Inframe OH Set
					CTP3508016C	Cylinder Head Repl. Gasket Set
6PN	6PN01-UP		GENERATOR	Turbocharged. EUI, Dry Exhaust Manifolds	CTP3508007C	Cylinder Head Repl. Gasket Set
					CTP3508007D	Single Cyl. Head Repl. Gasket Set
	6PN01-UP	112-2661, 159-8834, 173-6933	3508B, 3508C GENERATOR	Turbocharged Aftercooled	CTP3508011A	Out of Frame OH Gasket Set
					CTP3508011B	Inframe OH Set
					CTP3508011C	Cylinder Head Repl. Gasket Set
	6PN01-UP	173-6933	3508B, 3508C GENERATOR	Turbocharged Aftercooled	CTP3508012A	Out of Frame OH Gasket Set
					CTP3508012B	Inframe OH Set
					CTP3508012C	Cylinder Head Repl. Gasket Set
	6TJ	6TJ01-UP	4P-8270	3508C	Turbocharged Aftercooled	CTP3508023A
CTP3508023B						Inframe OH Set
CTP3508023C						Cylinder Head Repl. Gasket Set
70Z	70Z01-UP	1W4210, 1W4211, 2W8406, 4W0280, 4W0281, 7N8701, 7N8704, 143-8159	INDUSTRIAL, GENERATOR	Turbocharged Aftercooled	CTP3508005A	Out of Frame OH Gasket Set
					CTP3508005B	Inframe OH Set
					CTP3508005C	Cylinder Head Repl. Gasket Set
					CTP3508005D	Single Cyl. Head Repl. Gasket Set
	70Z01-UP			INDUSTRIAL, GENERATOR, MARINE	Aftercooled Turbocharged, Wet Exhaust Manifolds	CTP3508006A
					CTP3508006B	Inframe OH Set
					CTP3508006C	Cylinder Head Repl. Gasket Set
					CTP3508006D	Single Cyl. Head Repl. Gasket Set
7SM	7SM01-UP	100-8316, 100-8325, 173-6943	MARINE	Turbocharged Aftercooled	CTP3508009A	Out of Frame OH Gasket Set
					CTP3508009B	Inframe OH Set
					CTP3508009C	Cylinder Head Repl. Gasket Set
					CTP3508009D	Single Cyl. Head Repl. Gasket Set

Prefix	Serial No.	Arrangement	Application	Comments	Part Number	Description	
7SM	7SM01-UP	180-9194	3508B	Turbocharged Aftercooled	CTP3508020A	Out of Frame OH Gasket Set	
					CTP3508020B	Inframe OH Set	
					CTP3508020C	Cylinder Head Repl. Gasket Set	
	7SM01-UP	173-6944	3508C	Turbocharged Aftercooled	CTP3508021A	Out of Frame OH Gasket Set	
					CTP3508021B	Inframe OH Set	
					CTP3508021C	Cylinder Head Repl. Gasket Set	
	7SM01-UP	173-6945, 180-9195	3508C	Turbocharged Aftercooled	CTP3508022A	Out of Frame OH Gasket Set	
					CTP3508022B	Inframe OH Set	
					CTP3508022C	Cylinder Head Repl. Gasket Set	
7YG	7YG01-UP MACHINE: 4HK1-UP, 2KT1- UP, 4XJ1-UP		D11N, 776C, 777C	Turbocharged Aftercooled	CTP3508002A	Out of Frame OH Gasket Set	
					CTP3508002B	Inframe OH Set	
					CTP3508002C	Cylinder Head Repl. Gasket Set	
					CTP3508002D	Single Cyl. Head Repl. Gasket Set	
	7YG01-UP	6I-2758	EXCAVATOR 5130	Turbocharged Aftercooled	CTP3508024A	Out of Frame OH Gasket Set	
					CTP3508024B	Inframe OH Set	
					CTP3508024C	Cylinder Head Repl. Gasket Set	
	7YG01-UP	121-5777	776, 777, 777D	Turbocharged Aftercooled	CTP3508025A	Out of Frame OH Gasket Set	
					CTP3508025B	Inframe OH Set	
					CTP3508025C	Cylinder Head Repl. Gasket Set	
	7YG01-UP	7E-9078	776, 777	Turbocharged Aftercooled	CTP3508026A	Out of Frame OH Gasket Set	
					CTP3508026B	Inframe OH Set	
					CTP3508026C	Cylinder Head Repl. Gasket Set	
	7YG01-UP	127-4511	D11, D11N	Turbocharged Aftercooled	CTP3508027A	Out of Frame OH Gasket Set	
					CTP3508027B	Inframe OH Set	
					CTP3508027C	Cylinder Head Repl. Gasket Set	
	7YG01-UP	7E-9077	D11	Turbocharged Aftercooled	CTP3508028A	Out of Frame OH Gasket Set	
					CTP3508028B	Inframe OH Set	
					CTP3508028C	Cylinder Head Repl. Gasket Set	
	95Y	95Y01-UP	1W4210, 1W4211, 2W8406, 4W0280, 4W0281, 7N8701, 7N8704, 143-8159	INDUSTRIAL, GENERATOR	Turbocharged Aftercooled	CTP3508005A	Out of Frame OH Gasket Set
						CTP3508005B	Inframe OH Set
CTP3508005C						Cylinder Head Repl. Gasket Set	
CTP3508005D						Single Cyl. Head Repl. Gasket Set	
95Y	95Y01-UP		INDUSTRIAL, GENERATOR, MARINE	Aftercooled Turbocharged, Wet Exhaust Manifolds	CTP3508006A	Out of Frame OH Gasket Set	
					CTP3508006B	Inframe OH Set	
					CTP3508006C	Cylinder Head Repl. Gasket Set	
					CTP3508006D	Single Cyl. Head Repl. Gasket Set	

Prefix	Serial No.	Arrangement	Application	Comments	Part Number	Description
96Y	96Y01-UP		INDUSTRIAL, GENERATOR, MARINE	Aftercooled Turbocharged, Wet Exhaust Manifolds	CTP3508006A	Out of Frame OH Gasket Set
					CTP3508006B	Inframe OH Set
					CTP3508006C	Cylinder Head Repl. Gasket Set
					CTP3508006D	Single Cyl. Head Repl. Gasket Set
	96Y01-UP	2W-8860	3508, 3508C	Turbocharged Aftercooled	CTP3508019A	Out of Frame OH Gasket Set
					CTP3508019B	Inframe OH Set
CTP3508019C					Cylinder Head Repl. Gasket Set	
99W	99W01-UP MACHINE:74Z1- UP, 6JC1UP, 4YC1-UP,		D11N, 776B, 777B	Turbocharged Aftercooled	CTP3508001A	Out of Frame OH Gasket Set
					CTP3508001B	Inframe OH Set
					CTP3508001C	Cylinder Head Repl. Gasket Set
					CTP3508001D	Single Cyl. Head Repl. Gasket Set
C8T	C8T01-UP	331-1423	3508B, 777D	Turbocharged Aftercooled	CTP3508030A	Out of Frame OH Gasket Set
					CTP3508030B	Inframe OH Set
					CTP3508030C	Cylinder Head Repl. Gasket Set
	C8T00001- C8T01619	104-4777	776D, 777C, 777D	Turbocharged Aftercooled	CTP3508031A	Out of Frame OH Gasket Set
					CTP3508031B	Inframe OH Set
					CTP3508031C	Cylinder Head Repl. Gasket Set
	C8T00001- C8T01091	155-0537	776D, 777B, 777D	Turbocharged Aftercooled	CTP3508032A	Out of Frame OH Gasket Set
					CTP3508032B	Inframe OH Set
					CTP3508032C	Cylinder Head Repl. Gasket Set
	C8T00001- C8T01217	195-3816	776D, 777B, 777D	Turbocharged Aftercooled	CTP3508033A	Out of Frame OH Gasket Set
					CTP3508033B	Inframe OH Set
					CTP3508033C	Cylinder Head Repl. Gasket Set
	C8T00001- C8T01513	161-1592	854G, 992G	Turbocharged Aftercooled	CTP3508034A	Out of Frame OH Gasket Set
					CTP3508034B	Inframe OH Set
					CTP3508034C	Cylinder Head Repl. Gasket Set
	C8T00001- C8T00983	155-5556	D11N	Turbocharged Aftercooled	CTP3508035A	Out of Frame OH Gasket Set
					CTP3508035B	Inframe OH Set
					CTP3508035C	Cylinder Head Repl. Gasket Set
	C8T01620-UP	104-4777	776D, 777C, 777D	Turbocharged Aftercooled	CTP3508037A	Out of Frame OH Gasket Set
					CTP3508037B	Inframe OH Set
					CTP3508037C	Cylinder Head Repl. Gasket Set
C8T01092-UP	155-0537	776D, 777B, 777D	Turbocharged Aftercooled	CTP3508038A	Out of Frame OH Gasket Set	
				CTP3508038B	Inframe OH Set	
				CTP3508038C	Cylinder Head Repl. Gasket Set	
C8T01218-UP	195-3816	776D, 777B, 777D	Turbocharged Aftercooled	CTP3508039A	Out of Frame OH Gasket Set	
				CTP3508039B	Inframe OH Set	
				CTP3508039C	Cylinder Head Repl. Gasket Set	

Prefix	Serial No.	Arrangement	Application	Comments	Part Number	Description
C8T	C8T01514-UP	161-1592	854G , 992G	Turbocharged Aftercooled	CTP3508040A	Out of Frame OH Gasket Set
					CTP3508040B	Inframe OH Set
					CTP3508040C	Cylinder Head Repl. Gasket Set
	C8T01-UP	155-5556	D11R, D11N	Turbocharged Aftercooled	CTP3508041A	Out of Frame OH Gasket Set
					CTP3508041B	Inframe OH Set
					CTP3508041C	Cylinder Head Repl. Gasket Set
CBB	CBB01-UP	191-8388	3508 INDUSTRIAL	Turbocharged Aftercooled	CTP3508013A	Out of Frame OH Gasket Set
					CTP3508013B	Inframe OH Set
					CTP3508013C	Cylinder Head Repl. Gasket Set
JDM	JDM01-UP	281-0803	777D	Turbocharged Aftercooled	CTP3508015A	Out of Frame OH Gasket Set
					CTP3508015B	Inframe OH Set
					CTP3508015C	Cylinder Head Repl. Gasket Set

## 3512

Prefix	Serial No.	Arrangement	Application	Comments	Part Number	Description
1LM	1LM01-UP	108-6286, 173-2945, 2W-8863, 8N-5803, 9Y-6267	INDUSTRIAL, VEHICULAR	Turbocharged, Aftercooled, Multiple Cyl. Head	CTP3512004A	Out of Frame OH Gasket Set
					CTP3512004B	Inframe OH Set
					CTP3512004C	Cylinder Head Repl. Gasket Set
					CTP3512004D	Single Cyl. Head Repl. Gasket Set
24Z	24Z01-UP		INDUSTRIAL GENERATOR	Turbocharged, Aftercooled, With dry exhaust manifolds	CTP3512001A	Out of Frame OH Gasket Set
					CTP3512001B	Inframe OH Set
					CTP3512001C	Cylinder Head Repl. Gasket Set
					CTP3512001D	Single Cyl. Head Repl. Gasket Set
2AF	2AF01-UP	108-6286, 173-2945, 2W-8863, 8N-5803, 9Y-6267	INDUSTRIAL, VEHICULAR	Turbocharged, Aftercooled, Multiple Cyl. Head	CTP3512004A	Out of Frame OH Gasket Set
					CTP3512004B	Inframe OH Set
					CTP3512004C	Cylinder Head Repl. Gasket Set
					CTP3512004D	Single Cyl. Head Repl. Gasket Set
49Y	49Y01-UP		INDUSTRIAL GENERATOR	Turbocharged, Aftercooled, With dry exhaust manifolds	CTP3512001A	Out of Frame OH Gasket Set
					CTP3512001B	Inframe OH Set
					CTP3512001C	Cylinder Head Repl. Gasket Set
					CTP3512001D	Single Cyl. Head Repl. Gasket Set

Prefix	Serial No.	Arrangement	Application	Comments	Part Number	Description
51Y	51Y01-UP		INDUSTRIAL GENERATOR	Turbocharged, Aftercooled, With dry exhaust manifolds	CTP3512001A	Out of Frame OH Gasket Set
					CTP3512001B	Inframe OH Set
					CTP3512001C	Cylinder Head Repl. Gasket Set
					CTP3512001D	Single Cyl. Head Repl. Gasket Set
	51Y01-UP	108-6286, 173-2945, 2W-8863, 8N-5803, 9Y-6267	INDUSTRIAL, VEHICULAR	Turbocharged, Aftercooled, Multiple Cyl. Head	CTP3512004A	Out of Frame OH Gasket Set
					CTP3512004B	Inframe OH Set
					CTP3512004C	Cylinder Head Repl. Gasket Set
					CTP3512004D	Single Cyl. Head Repl. Gasket Set
65Z	65Z01-UP		INDUSTRIAL GENERATOR	Turbocharged, Aftercooled, With dry exhaust manifolds	CTP3512001A	Out of Frame OH Gasket Set
					CTP3512001B	Inframe OH Set
					CTP3512001C	Cylinder Head Repl. Gasket Set
					CTP3512001D	Single Cyl. Head Repl. Gasket Set
66Z	66Z01-UP	1W-4219 , 2W-8868	MARINE		CTP3512006A	Out of Frame OH Gasket Set
					CTP3512006B	Inframe OH Set
					CTP3512006C	Cylinder Head Repl. Gasket Set
					CTP3512006D	Single Cyl. Head Repl. Gasket Set
67Z	67Z01-UP		INDUSTRIAL GENERATOR	Turbocharged, Aftercooled, With dry exhaust manifolds	CTP3512001A	Out of Frame OH Gasket Set
					CTP3512001B	Inframe OH Set
					CTP3512001C	Cylinder Head Repl. Gasket Set
					CTP3512001D	Single Cyl. Head Repl. Gasket Set
B7F	B7F01-UP	278-0555, 323-5312, 365-9312, 365-9313	785D, OFF- HIGHWAY TRUCK		CTP3512002C	Cylinder Head Repl. Gasket Set
					CTP3512002D	Single Cyl. Head Repl. Gasket Set
S2L	S2L01-UP	232-2508, 232-2514, 236-2459	3512B, MARINE		CTP3512005A	Out of Frame OH Gasket Set
					CTP3512005B	Inframe OH Set
					CTP3512005C	Cylinder Head Repl. Gasket Set
					CTP3512005D	Single Cyl. Head Repl. Gasket Set

## 3516

Prefix	Serial No.	Arrangement	Application	Comments	Part Number	Description
25Z	25Z01-UP	7C1301	NATURAL GAS GENERATOR CSZ	Turbocharged	CTP3516002A	Out of Frame OH Gasket Set
					CTP3516002B	Inframe OH Set
					CTP3516002C	Cylinder Head Repl. Gasket Set
					CTP3516002D	Single Cyl. Head Repl. Gasket Set

Prefix	Serial No.	Arrangement	Application	Comments	Part Number	Description
3RC	3RC196-1254, 3RC182-UP	9Y0598	NATURAL GAS	Turbocharged, Multiple Cyl Head, water-air aftercooler	CTP3516001A	Out of Frame OH Gasket Set
					CTP3516001B	Inframe OH Set
					CTP3516001C	Cylinder Head Repl. Gasket Set
					CTP3516001D	Single Cyl. Head Repl. Gasket Set
8WM	8WM01-UP	147-0797, 147- 0825, 196-9173	793C OFF- HIGHWAY TRUCK		CTP3516003A	Out of Frame OH Gasket Set
					CTP3516003B	Inframe OH Set
					CTP3516003C	Cylinder Head Repl. Gasket Set
					CTP3516003D	Single Cyl. Head Repl. Gasket Set
	8WM00129- 8WM00140	147-0825	793C OFF- HIGHWAY TRUCK		CTP3516004C	Cylinder Head Repl. Gasket Set
					CTP3516004D	Single Cyl. Head Repl. Gasket Set
	8WM01-UP	235-0300, 373- 9863	793D OFF- HIGHWAY TRUCK		CTP3516005A	Out of Frame OH Gasket Set
					CTP3516005B	Inframe OH Set
					CTP3516005C	Cylinder Head Repl. Gasket Set
					CTP3516005D	Single Cyl. Head Repl. Gasket Set
	8WM01-UP	288-4348	793D OFF- HIGHWAY TRUCK		CTP3516006A	Out of Frame OH Gasket Set
					CTP3516006B	Inframe OH Set
CTP3516006C					Cylinder Head Repl. Gasket Set	
CTP3516006D					Single Cyl. Head Repl. Gasket Set	
8WM01-UP	240-7750	994F WHEEL LOADER		CTP3516007C	Cylinder Head Repl. Gasket Set	
				CTP3516007D	Single Cyl. Head Repl. Gasket Set	
S2X	S2X01-UP	234-2795	3516B MARINE		CTP3516008A	Out of Frame OH Gasket Set
					CTP3516008B	Inframe OH Set
					CTP3516008C	Cylinder Head Repl. Gasket Set
					CTP3516008D	Single Cyl. Head Repl. Gasket Set

## 3520

Prefix	Serial No.	Arrangement	Application	Comments	Part Number	Description
GDB	GDB01-UP	212-4365, 313- 6082, 319-8117	G3520C GENERATOR SET		CTPG3520001C	Cylinder Head Repl. Gasket Set
					CTPG3520001D	Single Cyl. Head Repl. Gasket Set
GZA	GZA01-UP	212-4365, 313- 6082, 319-8117	G3520C GENERATOR SET		CTPG3520001C	Cylinder Head Repl. Gasket Set
					CTPG3520001D	Single Cyl. Head Repl. Gasket Set
GZB	GZB01-UP	212-4365, 313- 6082, 319-8117	G3520C GENERATOR SET		CTPG3520001C	Cylinder Head Repl. Gasket Set
					CTPG3520001D	Single Cyl. Head Repl. Gasket Set
RLP	RLP01-UP	212-4365, 313- 6082, 319-8117	G3520C GENERATOR SET		CTPG3520001C	Cylinder Head Repl. Gasket Set
					CTPG3520001D	Single Cyl. Head Repl. Gasket Set

## C-7

Prefix	Serial No.	Arrangement	Application	Comments	Part Number	Description
C7C	C7C01-UP	235-1424	950H WHEEL LOADER	Turbocharged Single Head	CTPC7062A	Out of Frame OH Gasket Set
					CTPC7062B	Inframe OH Set
					CTPC7062C	Cylinder Head Repl. Gasket Set
C7D	C7D01-UP	271-9070	MARINE	Turbocharged Single Head	CTPC7073A	Out of Frame OH Gasket Set
					CTPC7073B	Inframe OH Set
					CTPC7073C	Cylinder Head Repl. Gasket Set
	C7D01-UP	311-4988, 311-4989, 311-4990, 311-4991	MARINE	Turbocharged Single Head	CTPC7074A	Out of Frame OH Gasket Set
				CTPC7074B	Inframe OH Set	
				CTPC7074C	Cylinder Head Repl. Gasket Set	
C7X	C7X01-UP	311-5006, 311-5007, 311-5015, 311-5018, 311-5019	MARINE	Turbocharged Single Head	CTPC7075A	Out of Frame OH Gasket Set
					CTPC7075B	Inframe OH Set
					CTPC7075C	Cylinder Head Repl. Gasket Set
	C7X01-UP	311-5005	MARINE	Turbocharged Single Head	CTPC7065A	Out of Frame OH Gasket Set
				CTPC7065B	Inframe OH Set	
				CTPC7065C	Cylinder Head Repl. Gasket Set	
JTF	JTF01-UP	362-4263	C7 ON- HIGHWAY ENGINE	Turbocharged Single Head	CTPC7064A	Out of Frame OH Gasket Set
					CTPC7064B	Inframe OH Set
					CTPC7064C	Cylinder Head Repl. Gasket Set
KAL	KAL01-UP	235-9212, 239-4566	C7 ON- HIGHWAY ENGINE	Turbocharged Single Head	CTPC7002A	Out of Frame OH Gasket Set
					CTPC7002B	Inframe OH Set
					CTPC7002C	Cylinder Head Repl. Gasket Set
	KAL01-UP	235-9215	C7 ON- HIGHWAY ENGINE	Turbocharged Single Head	CTPC7003A	Out of Frame OH Gasket Set
					CTPC7003B	Inframe OH Set
					CTPC7003C	Cylinder Head Repl. Gasket Set
	KAL01-UP	237-1552, 246-9452	C7 ON- HIGHWAY ENGINE	Turbocharged Single Head	CTPC7004A	Out of Frame OH Gasket Set
					CTPC7004B	Inframe OH Set
					CTPC7004C	Cylinder Head Repl. Gasket Set
	KAL01-UP	237-1569	C7 ON- HIGHWAY ENGINE	Turbocharged Single Head	CTPC7005A	Out of Frame OH Gasket Set
					CTPC7005B	Inframe OH Set
					CTPC7005C	Cylinder Head Repl. Gasket Set
KAL01-UP	237-1587	C7 ON- HIGHWAY ENGINE	Turbocharged Single Head	CTPC7006A	Out of Frame OH Gasket Set	
				CTPC7006B	Inframe OH Set	
				CTPC7006C	Cylinder Head Repl. Gasket Set	
KAL01-UP	237-1748	C7 ON- HIGHWAY ENGINE	Turbocharged Single Head	CTPC7007A	Out of Frame OH Gasket Set	
				CTPC7007B	Inframe OH Set	
				CTPC7007C	Cylinder Head Repl. Gasket Set	
KAL01-UP	237-1755	C7 ON- HIGHWAY ENGINE	Turbocharged Single Head	CTPC7008A	Out of Frame OH Gasket Set	
				CTPC7008B	Inframe OH Set	
				CTPC7008C	Cylinder Head Repl. Gasket Set	



Prefix	Serial No.	Arrangement	Application	Comments	Part Number	Description
KAL	KAL01-UP	237-1843	C7 ON-HIGHWAY ENGINE	Turbocharged Single Head	CTPC7009A	Out of Frame OH Gasket Set
					CTPC7009B	Inframe OH Set
					CTPC7009C	Cylinder Head Repl. Gasket Set
	KAL01-UP	237-1844	C7 ON-HIGHWAY ENGINE	Turbocharged Single Head	CTPC7010A	Out of Frame OH Gasket Set
					CTPC7010B	Inframe OH Set
					CTPC7010C	Cylinder Head Repl. Gasket Set
	KAL01-UP	238-7101	C7 ON-HIGHWAY ENGINE	Turbocharged Single Head	CTPC7011A	Out of Frame OH Gasket Set
					CTPC7011B	Inframe OH Set
					CTPC7011C	Cylinder Head Repl. Gasket Set
	KAL01-UP	238-7102	C7 ON-HIGHWAY ENGINE	Turbocharged Single Head	CTPC7012A	Out of Frame OH Gasket Set
					CTPC7012B	Inframe OH Set
					CTPC7012C	Cylinder Head Repl. Gasket Set
	KAL01-UP	238-7120	C7 ON-HIGHWAY ENGINE	Turbocharged Single Head	CTPC7013A	Out of Frame OH Gasket Set
					CTPC7013B	Inframe OH Set
					CTPC7013C	Cylinder Head Repl. Gasket Set
	KAL01-UP	238-7268	C7 ON-HIGHWAY ENGINE	Turbocharged Single Head	CTPC7014A	Out of Frame OH Gasket Set
					CTPC7014B	Inframe OH Set
					CTPC7014C	Cylinder Head Repl. Gasket Set
	KAL01-UP	238-7285	C7 ON-HIGHWAY ENGINE	Turbocharged Single Head	CTPC7015A	Out of Frame OH Gasket Set
					CTPC7015B	Inframe OH Set
					CTPC7015C	Cylinder Head Repl. Gasket Set
	KAL01-UP	238-7305, 239-4680	C7 ON-HIGHWAY ENGINE	Turbocharged Single Head	CTPC7016A	Out of Frame OH Gasket Set
					CTPC7016B	Inframe OH Set
					CTPC7016C	Cylinder Head Repl. Gasket Set
	KAL01-UP	239-4582	C7 ON-HIGHWAY ENGINE	Turbocharged Single Head	CTPC7017A	Out of Frame OH Gasket Set
					CTPC7017B	Inframe OH Set
					CTPC7017C	Cylinder Head Repl. Gasket Set
	KAL01-UP	239-4688	C7 ON-HIGHWAY ENGINE	Turbocharged Single Head	CTPC7018A	Out of Frame OH Gasket Set
					CTPC7018B	Inframe OH Set
					CTPC7018C	Cylinder Head Repl. Gasket Set
	KAL01-UP	239-4709	C7 ON-HIGHWAY ENGINE	Turbocharged Single Head	CTPC7019A	Out of Frame OH Gasket Set
					CTPC7019B	Inframe OH Set
					CTPC7019C	Cylinder Head Repl. Gasket Set
	KAL01-UP	239-4724	C7 ON-HIGHWAY ENGINE	Turbocharged Single Head	CTPC7020A	Out of Frame OH Gasket Set
					CTPC7020B	Inframe OH Set
					CTPC7020C	Cylinder Head Repl. Gasket Set
KAL01-UP	239-4725	C7 ON-HIGHWAY ENGINE	Turbocharged Single Head	CTPC7021A	Out of Frame OH Gasket Set	
				CTPC7021B	Inframe OH Set	
				CTPC7021C	Cylinder Head Repl. Gasket Set	
KAL01-UP	239-4736, 248-4611, 250-7304	C7 ON-HIGHWAY ENGINE	Turbocharged Single Head	CTPC7022A	Out of Frame OH Gasket Set	
				CTPC7022B	Inframe OH Set	
				CTPC7022C	Cylinder Head Repl. Gasket Set	

Prefix	Serial No.	Arrangement	Application	Comments	Part Number	Description
KAL	KAL01-UP	239-4754, 245-6973, 245-6990, 245-7227	C7 ON-HIGHWAY ENGINE	Turbocharged Single Head	CTPC7023A	Out of Frame OH Gasket Set
					CTPC7023B	Inframe OH Set
					CTPC7023C	Cylinder Head Repl. Gasket Set
	KAL01-UP	240-4277	C7 ON-HIGHWAY ENGINE	Turbocharged Single Head	CTPC7024A	Out of Frame OH Gasket Set
					CTPC7024B	Inframe OH Set
					CTPC7024C	Cylinder Head Repl. Gasket Set
	KAL01-UP	240-4305	C7 ON-HIGHWAY ENGINE	Turbocharged Single Head	CTPC7025A	Out of Frame OH Gasket Set
					CTPC7025B	Inframe OH Set
					CTPC7025C	Cylinder Head Repl. Gasket Set
	KAL01-UP	240-4309	C7 ON-HIGHWAY ENGINE	Turbocharged Single Head	CTPC7026A	Out of Frame OH Gasket Set
					CTPC7026B	Inframe OH Set
					CTPC7026C	Cylinder Head Repl. Gasket Set
	KAL01-UP	240-4314	C7 ON-HIGHWAY ENGINE	Turbocharged Single Head	CTPC7027A	Out of Frame OH Gasket Set
					CTPC7027B	Inframe OH Set
					CTPC7027C	Cylinder Head Repl. Gasket Set
	KAL01-UP	240-4446, 241-1303, 241-1306	C7 ON-HIGHWAY ENGINE	Turbocharged Single Head	CTPC7028A	Out of Frame OH Gasket Set
					CTPC7028B	Inframe OH Set
					CTPC7028C	Cylinder Head Repl. Gasket Set
	KAL01-UP	240-4463, 244-4716, 250-7302, 250-7492	C7 ON-HIGHWAY ENGINE	Turbocharged Single Head	CTPC7029A	Out of Frame OH Gasket Set
					CTPC7029B	Inframe OH Set
					CTPC7029C	Cylinder Head Repl. Gasket Set
	KAL01-UP	241-1278	C7 ON-HIGHWAY ENGINE	Turbocharged Single Head	CTPC7030A	Out of Frame OH Gasket Set
					CTPC7030B	Inframe OH Set
					CTPC7030C	Cylinder Head Repl. Gasket Set
	KAL01-UP	241-1287	C7 ON-HIGHWAY ENGINE	Turbocharged Single Head	CTPC7031A	Out of Frame OH Gasket Set
					CTPC7031B	Inframe OH Set
					CTPC7031C	Cylinder Head Repl. Gasket Set
	KAL01-UP	241-1294	C7 ON-HIGHWAY ENGINE	Turbocharged Single Head	CTPC7032A	Out of Frame OH Gasket Set
					CTPC7032B	Inframe OH Set
					CTPC7032C	Cylinder Head Repl. Gasket Set
	KAL01-UP	241-1311	C7 ON-HIGHWAY ENGINE	Turbocharged Single Head	CTPC7033A	Out of Frame OH Gasket Set
					CTPC7033B	Inframe OH Set
					CTPC7033C	Cylinder Head Repl. Gasket Set
	KAL01-UP	241-1344, 242-7641, 248-4612, 249-8462	C7 ON-HIGHWAY ENGINE	Turbocharged Single Head	CTPC7034A	Out of Frame OH Gasket Set
					CTPC7034B	Inframe OH Set
					CTPC7034C	Cylinder Head Repl. Gasket Set
KAL01-UP	241-1362	C7 ON-HIGHWAY ENGINE	Turbocharged Single Head	CTPC7035A	Out of Frame OH Gasket Set	
				CTPC7035B	Inframe OH Set	
				CTPC7035C	Cylinder Head Repl. Gasket Set	
KAL01-UP	241-1363	C7 ON-HIGHWAY ENGINE	Turbocharged Single Head	CTPC7036A	Out of Frame OH Gasket Set	
				CTPC7036B	Inframe OH Set	
				CTPC7036C	Cylinder Head Repl. Gasket Set	

Prefix	Serial No.	Arrangement	Application	Comments	Part Number	Description
KAL	KAL01-UP	241-1366	C7 ON-HIGHWAY ENGINE	Turbocharged Single Head	CTPC7037A	Out of Frame OH Gasket Set
					CTPC7037B	Inframe OH Set
					CTPC7037C	Cylinder Head Repl. Gasket Set
	KAL01-UP	242-7655	C7 ON-HIGHWAY ENGINE	Turbocharged Single Head	CTPC7038A	Out of Frame OH Gasket Set
					CTPC7038B	Inframe OH Set
					CTPC7038C	Cylinder Head Repl. Gasket Set
	KAL01-UP	245-6960	C7 ON-HIGHWAY ENGINE	Turbocharged Single Head	CTPC7039A	Out of Frame OH Gasket Set
					CTPC7039B	Inframe OH Set
					CTPC7039C	Cylinder Head Repl. Gasket Set
	KAL01-UP	246-9475, 246-9483, 251-9075, 251-9076	C7 ON-HIGHWAY ENGINE	Turbocharged Single Head	CTPC7040A	Out of Frame OH Gasket Set
					CTPC7040B	Inframe OH Set
					CTPC7040C	Cylinder Head Repl. Gasket Set
	KAL01-UP	245-9476	C7	Turbocharged Single Head	CTPC7041C	Cylinder Head Repl. Gasket Set
	KAL01-UP	246-9707	C7	Turbocharged Single Head	CTPC7042C	Cylinder Head Repl. Gasket Set
	KAL01-UP	246-9726	C7 ON-HIGHWAY ENGINE	Turbocharged Single Head	CTPC7043A	Out of Frame OH Gasket Set
					CTPC7043B	Inframe OH Set
					CTPC7043C	Cylinder Head Repl. Gasket Set
	KAL01-UP	249-8272, 251-9033	C7 ON-HIGHWAY ENGINE	Turbocharged Single Head	CTPC7044A	Out of Frame OH Gasket Set
					CTPC7044B	Inframe OH Set
					CTPC7044C	Cylinder Head Repl. Gasket Set
	KAL01-UP	250-7305	C7 ON-HIGHWAY ENGINE	Turbocharged Single Head	CTPC7045A	Out of Frame OH Gasket Set
					CTPC7045B	Inframe OH Set
					CTPC7045C	Cylinder Head Repl. Gasket Set
	KAL01-UP	251-8954	C7 ON-HIGHWAY ENGINE	Turbocharged Single Head	CTPC7046A	Out of Frame OH Gasket Set
					CTPC7046B	Inframe OH Set
					CTPC7046C	Cylinder Head Repl. Gasket Set
	KAL01-UP	251-9077, 271-1201	C7 ON-HIGHWAY ENGINE	Turbocharged Single Head	CTPC7047A	Out of Frame OH Gasket Set
					CTPC7047B	Inframe OH Set
					CTPC7047C	Cylinder Head Repl. Gasket Set
	KAL01-UP	253-5719, 253-5721	C7 ON-HIGHWAY ENGINE	Turbocharged Single Head	CTPC7048A	Out of Frame OH Gasket Set
CTPC7048B					Inframe OH Set	
CTPC7048C					Cylinder Head Repl. Gasket Set	
KAL01-UP	253-5720, 253-5722	C7 ON-HIGHWAY ENGINE	Turbocharged Single Head	CTPC7049A	Out of Frame OH Gasket Set	
				CTPC7049B	Inframe OH Set	
				CTPC7049C	Cylinder Head Repl. Gasket Set	
KAL01-UP	254-9549	C7 ON-HIGHWAY ENGINE	Turbocharged Single Head	CTPC7050A	Out of Frame OH Gasket Set	
				CTPC7050B	Inframe OH Set	
				CTPC7050C	Cylinder Head Repl. Gasket Set	

Prefix	Serial No.	Arrangement	Application	Comments	Part Number	Description
KAL	KAL01-UP	264-5478	C7 ON-HIGHWAY ENGINE	Turbocharged Single Head	CTPC7051A	Out of Frame OH Gasket Set
					CTPC7051B	Inframe OH Set
					CTPC7051C	Cylinder Head Repl. Gasket Set
	KAL01-UP	264-5479	C7 ON-HIGHWAY ENGINE	Turbocharged Single Head	CTPC7052A	Out of Frame OH Gasket Set
					CTPC7052B	Inframe OH Set
					CTPC7052C	Cylinder Head Repl. Gasket Set
	KAL01-UP	264-5480	C7 ON-HIGHWAY ENGINE	Turbocharged Single Head	CTPC7053A	Out of Frame OH Gasket Set
					CTPC7053B	Inframe OH Set
					CTPC7053C	Cylinder Head Repl. Gasket Set
	KAL01-UP	264-5551	C7 ON-HIGHWAY ENGINE	Turbocharged Single Head	CTPC7054A	Out of Frame OH Gasket Set
					CTPC7054B	Inframe OH Set
					CTPC7054C	Cylinder Head Repl. Gasket Set
	KAL01-UP	267-5960	C7 ON-HIGHWAY ENGINE	Turbocharged Single Head	CTPC7055A	Out of Frame OH Gasket Set
					CTPC7055B	Inframe OH Set
					CTPC7055C	Cylinder Head Repl. Gasket Set
	KAL01-UP	271-1202, 271-1203	C7 ON-HIGHWAY ENGINE	Turbocharged Single Head	CTPC7056A	Out of Frame OH Gasket Set
					CTPC7056B	Inframe OH Set
					CTPC7056C	Cylinder Head Repl. Gasket Set
	KAL01-UP	281-9628	C7 ON-HIGHWAY ENGINE	Turbocharged Single Head	CTPC7057A	Out of Frame OH Gasket Set
					CTPC7057B	Inframe OH Set
					CTPC7057C	Cylinder Head Repl. Gasket Set
	KAL01-UP	281-9826	C7 ON-HIGHWAY ENGINE	Turbocharged Single Head	CTPC7058A	Out of Frame OH Gasket Set
					CTPC7058B	Inframe OH Set
					CTPC7058C	Cylinder Head Repl. Gasket Set
	KAL01-UP	284-0333	C7 ON-HIGHWAY ENGINE	Turbocharged Single Head	CTPC7059A	Out of Frame OH Gasket Set
					CTPC7059B	Inframe OH Set
					CTPC7059C	Cylinder Head Repl. Gasket Set
	KAL01-UP	284-0334, 284-0396	C7 ON-HIGHWAY ENGINE	Turbocharged Single Head	CTPC7060A	Out of Frame OH Gasket Set
					CTPC7060B	Inframe OH Set
					CTPC7060C	Cylinder Head Repl. Gasket Set
KAL10761	241-1478	C7 ON-HIGHWAY ENGINE	Turbocharged Single Head	CTPC7061A	Out of Frame OH Gasket Set	
				CTPC7061B	Inframe OH Set	
				CTPC7061C	Cylinder Head Repl. Gasket Set	
KH01-UP	235-1424	950H WHEEL LOADER	Turbocharged Single Head	CTPC7062A	Out of Frame OH Gasket Set	
				CTPC7062B	Inframe OH Set	
				CTPC7062C	Cylinder Head Repl. Gasket Set	
KH01-UP	263-2003	324D L, 324D LN	Turbocharged Single Head	CTPC7069A	Out of Frame OH Gasket Set	
				CTPC7069B	Inframe OH Set	
				CTPC7069C	Cylinder Head Repl. Gasket Set	
KH01-UP	290-0755	324D L, 324D LN, M325D L, 325D	Turbocharged Single Head	CTPC7066A	Out of Frame OH Gasket Set	
				CTPC7066B	Inframe OH Set	
				CTPC7066C	Cylinder Head Repl. Gasket Set	

Prefix	Serial No.	Arrangement	Application	Comments	Part Number	Description	
KHX	KHX01-UP	338-9076	950H WHEEL LOADER	Turbocharged Single Head	CTPC7063A	Out of Frame OH Gasket Set	
					CTPC7063B	Inframe OH Set	
					CTPC7063C	Cylinder Head Repl. Gasket Set	
	KHX01-UP	368-7789	C7.2, AP1055D, BG-2455D	Turbocharged Single Head	CTPC7090A	Out of Frame OH Gasket Set	
					CTPC7090B	Inframe OH Set	
					CTPC7090C	Cylinder Head Repl. Gasket Set	
	KHX01-UP	387-8488	324D L, 324D LN	Turbocharged Single Head	CTPC7067A	Out of Frame OH Gasket Set	
					CTPC7067B	Inframe OH Set	
					CTPC7067C	Cylinder Head Repl. Gasket Set	
	KHX01-UP	423-3921, 435-1298, 435-1302	324D L, 324D LN, 325D	Turbocharged Single Head	CTPC7068A	Out of Frame OH Gasket Set	
					CTPC7068B	Inframe OH Set	
					CTPC7068C	Cylinder Head Repl. Gasket Set	
	KHX01-UP	423-3920	325D	Turbocharged Single Head	CTPC7070A	Out of Frame OH Gasket Set	
					CTPC7070B	Inframe OH Set	
					CTPC7070C	Cylinder Head Repl. Gasket Set	
	KHX01-UP	423-3922, 435-1295	325D, 329D, 434F, 444F, M325D	Turbocharged Single Head	CTPC7071A	Out of Frame OH Gasket Set	
					CTPC7071B	Inframe OH Set	
					CTPC7071C	Cylinder Head Repl. Gasket Set	
	KHX01-UP	423-3923	324D, 325D, M325D	Turbocharged Single Head	CTPC7072A	Out of Frame OH Gasket Set	
					CTPC7072B	Inframe OH Set	
					CTPC7072C	Cylinder Head Repl. Gasket Set	
	SAP	SAP01-UP	235-9212, 239-4566	C7 ON- HIGHWAY ENGINE	Turbocharged Single Head	CTPC7002A	Out of Frame OH Gasket Set
						CTPC7002B	Inframe OH Set
						CTPC7002C	Cylinder Head Repl. Gasket Set
SAP01-UP		235-9215	C7 ON- HIGHWAY ENGINE	Turbocharged Single Head	CTPC7003A	Out of Frame OH Gasket Set	
					CTPC7003B	Inframe OH Set	
					CTPC7003C	Cylinder Head Repl. Gasket Set	
SAP01-UP		237-1552, 246-9452	C7 ON- HIGHWAY ENGINE	Turbocharged Single Head	CTPC7004A	Out of Frame OH Gasket Set	
					CTPC7004B	Inframe OH Set	
					CTPC7004C	Cylinder Head Repl. Gasket Set	
SAP01-UP		237-1569	C7 ON- HIGHWAY ENGINE	Turbocharged Single Head	CTPC7005A	Out of Frame OH Gasket Set	
					CTPC7005B	Inframe OH Set	
					CTPC7005C	Cylinder Head Repl. Gasket Set	
SAP01-UP		237-1587	C7 ON- HIGHWAY ENGINE	Turbocharged Single Head	CTPC7006A	Out of Frame OH Gasket Set	
					CTPC7006B	Inframe OH Set	
					CTPC7006C	Cylinder Head Repl. Gasket Set	
SAP01-UP		237-1748	C7 ON- HIGHWAY ENGINE	Turbocharged Single Head	CTPC7007A	Out of Frame OH Gasket Set	
					CTPC7007B	Inframe OH Set	
					CTPC7007C	Cylinder Head Repl. Gasket Set	
SAP01-UP		237-1755	C7 ON- HIGHWAY ENGINE	Turbocharged Single Head	CTPC7008A	Out of Frame OH Gasket Set	
					CTPC7008B	Inframe OH Set	
					CTPC7008C	Cylinder Head Repl. Gasket Set	

Prefix	Serial No.	Arrangement	Application	Comments	Part Number	Description
SAP	SAP01-UP	237-1843	C7 ON- HIGHWAY ENGINE	Turbocharged Single Head	CTPC7009A	Out of Frame OH Gasket Set
					CTPC7009B	Inframe OH Set
					CTPC7009C	Cylinder Head Repl. Gasket Set
	SAP01-UP	237-1844	C7 ON- HIGHWAY ENGINE	Turbocharged Single Head	CTPC7010A	Out of Frame OH Gasket Set
					CTPC7010B	Inframe OH Set
					CTPC7010C	Cylinder Head Repl. Gasket Set
	SAP01-UP	238-7101	C7 ON- HIGHWAY ENGINE	Turbocharged Single Head	CTPC7011A	Out of Frame OH Gasket Set
					CTPC7011B	Inframe OH Set
					CTPC7011C	Cylinder Head Repl. Gasket Set
	SAP01-UP	238-7102	C7 ON- HIGHWAY ENGINE	Turbocharged Single Head	CTPC7012A	Out of Frame OH Gasket Set
					CTPC7012B	Inframe OH Set
					CTPC7012C	Cylinder Head Repl. Gasket Set
	SAP01-UP	238-7120	C7 ON- HIGHWAY ENGINE	Turbocharged Single Head	CTPC7013A	Out of Frame OH Gasket Set
					CTPC7013B	Inframe OH Set
					CTPC7013C	Cylinder Head Repl. Gasket Set
	SAP01-UP	238-7268	C7 ON- HIGHWAY ENGINE	Turbocharged Single Head	CTPC7014A	Out of Frame OH Gasket Set
					CTPC7014B	Inframe OH Set
					CTPC7014C	Cylinder Head Repl. Gasket Set
	SAP01-UP	238-7285	C7 ON- HIGHWAY ENGINE	Turbocharged Single Head	CTPC7015A	Out of Frame OH Gasket Set
					CTPC7015B	Inframe OH Set
					CTPC7015C	Cylinder Head Repl. Gasket Set
	SAP01-UP	238-7305, 239-4680	C7 ON- HIGHWAY ENGINE	Turbocharged Single Head	CTPC7016A	Out of Frame OH Gasket Set
					CTPC7016B	Inframe OH Set
					CTPC7016C	Cylinder Head Repl. Gasket Set
SAP01-UP	239-4582	C7 ON- HIGHWAY ENGINE	Turbocharged Single Head	CTPC7017A	Out of Frame OH Gasket Set	
				CTPC7017B	Inframe OH Set	
				CTPC7017C	Cylinder Head Repl. Gasket Set	
SAP01-UP	239-4688	C7 ON- HIGHWAY ENGINE	Turbocharged Single Head	CTPC7018A	Out of Frame OH Gasket Set	
				CTPC7018B	Inframe OH Set	
				CTPC7018C	Cylinder Head Repl. Gasket Set	
SAP01-UP	239-4709	C7 ON- HIGHWAY ENGINE	Turbocharged Single Head	CTPC7019A	Out of Frame OH Gasket Set	
				CTPC7019B	Inframe OH Set	
				CTPC7019C	Cylinder Head Repl. Gasket Set	
SAP01-UP	239-4724	C7 ON- HIGHWAY ENGINE	Turbocharged Single Head	CTPC7020A	Out of Frame OH Gasket Set	
				CTPC7020B	Inframe OH Set	
				CTPC7020C	Cylinder Head Repl. Gasket Set	
SAP01-UP	239-4725	C7 ON- HIGHWAY ENGINE	Turbocharged Single Head	CTPC7021A	Out of Frame OH Gasket Set	
				CTPC7021B	Inframe OH Set	
				CTPC7021C	Cylinder Head Repl. Gasket Set	
SAP01-UP	239-4736, 248-4611, 250-7304	C7 ON- HIGHWAY ENGINE	Turbocharged Single Head	CTPC7022A	Out of Frame OH Gasket Set	
				CTPC7022B	Inframe OH Set	
				CTPC7022C	Cylinder Head Repl. Gasket Set	

Prefix	Serial No.	Arrangement	Application	Comments	Part Number	Description
SAP	SAP01-UP	239-4754, 245-6973, 245-6990, 245-7227	C7 ON-HIGHWAY ENGINE	Turbocharged Single Head	CTPC7023A	Out of Frame OH Gasket Set
					CTPC7023B	Inframe OH Set
					CTPC7023C	Cylinder Head Repl. Gasket Set
	SAP01-UP	240-4277	C7 ON-HIGHWAY ENGINE	Turbocharged Single Head	CTPC7024A	Out of Frame OH Gasket Set
					CTPC7024B	Inframe OH Set
					CTPC7024C	Cylinder Head Repl. Gasket Set
	SAP01-UP	240-4305	C7 ON-HIGHWAY ENGINE	Turbocharged Single Head	CTPC7025A	Out of Frame OH Gasket Set
					CTPC7025B	Inframe OH Set
					CTPC7025C	Cylinder Head Repl. Gasket Set
	SAP01-UP	240-4309	C7 ON-HIGHWAY ENGINE	Turbocharged Single Head	CTPC7026A	Out of Frame OH Gasket Set
					CTPC7026B	Inframe OH Set
					CTPC7026C	Cylinder Head Repl. Gasket Set
	SAP01-UP	240-4314	C7 ON-HIGHWAY ENGINE	Turbocharged Single Head	CTPC7027A	Out of Frame OH Gasket Set
					CTPC7027B	Inframe OH Set
					CTPC7027C	Cylinder Head Repl. Gasket Set
	SAP01-UP	240-4446, 241-1303, 241-1306	C7 ON-HIGHWAY ENGINE	Turbocharged Single Head	CTPC7028A	Out of Frame OH Gasket Set
					CTPC7028B	Inframe OH Set
					CTPC7028C	Cylinder Head Repl. Gasket Set
	SAP01-UP	240-4463, 244-4716, 250-7302, 250-7492	C7 ON-HIGHWAY ENGINE	Turbocharged Single Head	CTPC7029A	Out of Frame OH Gasket Set
					CTPC7029B	Inframe OH Set
					CTPC7029C	Cylinder Head Repl. Gasket Set
	SAP01-UP	241-1278	C7 ON-HIGHWAY ENGINE	Turbocharged Single Head	CTPC7030A	Out of Frame OH Gasket Set
					CTPC7030B	Inframe OH Set
					CTPC7030C	Cylinder Head Repl. Gasket Set
	SAP01-UP	241-1287	C7 ON-HIGHWAY ENGINE	Turbocharged Single Head	CTPC7031A	Out of Frame OH Gasket Set
					CTPC7031B	Inframe OH Set
					CTPC7031C	Cylinder Head Repl. Gasket Set
	SAP01-UP	241-1294	C7 ON-HIGHWAY ENGINE	Turbocharged Single Head	CTPC7032A	Out of Frame OH Gasket Set
					CTPC7032B	Inframe OH Set
					CTPC7032C	Cylinder Head Repl. Gasket Set
	SAP01-UP	241-1311	C7 ON-HIGHWAY ENGINE	Turbocharged Single Head	CTPC7033A	Out of Frame OH Gasket Set
					CTPC7033B	Inframe OH Set
					CTPC7033C	Cylinder Head Repl. Gasket Set
	SAP01-UP	241-1344, 242-7641, 248-4612, 249-8462	C7 ON-HIGHWAY ENGINE	Turbocharged Single Head	CTPC7034A	Out of Frame OH Gasket Set
					CTPC7034B	Inframe OH Set
					CTPC7034C	Cylinder Head Repl. Gasket Set
SAP01-UP	241-1362	C7 ON-HIGHWAY ENGINE	Turbocharged Single Head	CTPC7035A	Out of Frame OH Gasket Set	
				CTPC7035B	Inframe OH Set	
				CTPC7035C	Cylinder Head Repl. Gasket Set	
SAP01-UP	241-1363	C7 ON-HIGHWAY ENGINE	Turbocharged Single Head	CTPC7036A	Out of Frame OH Gasket Set	
				CTPC7036B	Inframe OH Set	
				CTPC7036C	Cylinder Head Repl. Gasket Set	

Prefix	Serial No.	Arrangement	Application	Comments	Part Number	Description
SAP	SAP01-UP	241-1366	C7 ON-HIGHWAY ENGINE	Turbocharged Single Head	CTPC7037A	Out of Frame OH Gasket Set
					CTPC7037B	Inframe OH Set
					CTPC7037C	Cylinder Head Repl. Gasket Set
	SAP01-UP	242-7655	C7 ON-HIGHWAY ENGINE	Turbocharged Single Head	CTPC7038A	Out of Frame OH Gasket Set
					CTPC7038B	Inframe OH Set
					CTPC7038C	Cylinder Head Repl. Gasket Set
	SAP01-UP	245-6960	C7 ON-HIGHWAY ENGINE	Turbocharged Single Head	CTPC7039A	Out of Frame OH Gasket Set
					CTPC7039B	Inframe OH Set
					CTPC7039C	Cylinder Head Repl. Gasket Set
	SAP01-UP	246-9475, 246-9483, 251-9075, 251-9076	C7 ON-HIGHWAY ENGINE	Turbocharged Single Head	CTPC7040A	Out of Frame OH Gasket Set
					CTPC7040B	Inframe OH Set
					CTPC7040C	Cylinder Head Repl. Gasket Set
	SAP01-UP	245-9476	C7	Turbocharged Single Head	CTPC7041C	Cylinder Head Repl. Gasket Set
	SAP01-UP	246-9707	C7	Turbocharged Single Head	CTPC7042C	Cylinder Head Repl. Gasket Set
	SAP01-UP	246-9726	C7 ON-HIGHWAY ENGINE	Turbocharged Single Head	CTPC7043A	Out of Frame OH Gasket Set
					CTPC7043B	Inframe OH Set
					CTPC7043C	Cylinder Head Repl. Gasket Set
	SAP01-UP	249-8272, 251-9033	C7 ON-HIGHWAY ENGINE	Turbocharged Single Head	CTPC7044A	Out of Frame OH Gasket Set
					CTPC7044B	Inframe OH Set
					CTPC7044C	Cylinder Head Repl. Gasket Set
	SAP01-UP	250-7305	C7 ON-HIGHWAY ENGINE	Turbocharged Single Head	CTPC7045A	Out of Frame OH Gasket Set
					CTPC7045B	Inframe OH Set
					CTPC7045C	Cylinder Head Repl. Gasket Set
	SAP01-UP	251-8954	C7 ON-HIGHWAY ENGINE	Turbocharged Single Head	CTPC7046A	Out of Frame OH Gasket Set
					CTPC7046B	Inframe OH Set
					CTPC7046C	Cylinder Head Repl. Gasket Set
	SAP01-UP	251-9077, 271-1201	C7 ON-HIGHWAY ENGINE	Turbocharged Single Head	CTPC7047A	Out of Frame OH Gasket Set
					CTPC7047B	Inframe OH Set
					CTPC7047C	Cylinder Head Repl. Gasket Set
	SAP01-UP	253-5719, 253-5721	C7 ON-HIGHWAY ENGINE	Turbocharged Single Head	CTPC7048A	Out of Frame OH Gasket Set
					CTPC7048B	Inframe OH Set
					CTPC7048C	Cylinder Head Repl. Gasket Set
	SAP01-UP	253-5720, 253-5722	C7 ON-HIGHWAY ENGINE	Turbocharged Single Head	CTPC7049A	Out of Frame OH Gasket Set
					CTPC7049B	Inframe OH Set
					CTPC7049C	Cylinder Head Repl. Gasket Set
	SAP01-UP	254-9549	C7 ON-HIGHWAY ENGINE	Turbocharged Single Head	CTPC7050A	Out of Frame OH Gasket Set
CTPC7050B					Inframe OH Set	
CTPC7050C					Cylinder Head Repl. Gasket Set	
SAP01-UP	264-5478	C7 ON-HIGHWAY ENGINE	Turbocharged Single Head	CTPC7051A	Out of Frame OH Gasket Set	
				CTPC7051B	Inframe OH Set	
				CTPC7051C	Cylinder Head Repl. Gasket Set	

Prefix	Serial No.	Arrangement	Application	Comments	Part Number	Description
SAP	SAP01-UP	264-5479	C7 ON-HIGHWAY ENGINE	Turbocharged Single Head	CTPC7052A	Out of Frame OH Gasket Set
					CTPC7052B	Inframe OH Set
					CTPC7052C	Cylinder Head Repl. Gasket Set
	SAP01-UP	264-5480	C7 ON-HIGHWAY ENGINE	Turbocharged Single Head	CTPC7053A	Out of Frame OH Gasket Set
					CTPC7053B	Inframe OH Set
					CTPC7053C	Cylinder Head Repl. Gasket Set
	SAP01-UP	264-5551	C7 ON-HIGHWAY ENGINE	Turbocharged Single Head	CTPC7054A	Out of Frame OH Gasket Set
					CTPC7054B	Inframe OH Set
					CTPC7054C	Cylinder Head Repl. Gasket Set
	SAP01-UP	267-5960	C7 ON-HIGHWAY ENGINE	Turbocharged Single Head	CTPC7055A	Out of Frame OH Gasket Set
					CTPC7055B	Inframe OH Set
					CTPC7055C	Cylinder Head Repl. Gasket Set
	SAP01-UP	271-1202, 271-1203	C7 ON-HIGHWAY ENGINE	Turbocharged Single Head	CTPC7056A	Out of Frame OH Gasket Set
					CTPC7056B	Inframe OH Set
					CTPC7056C	Cylinder Head Repl. Gasket Set
	SAP01-UP	281-9628	C7 ON-HIGHWAY ENGINE	Turbocharged Single Head	CTPC7057A	Out of Frame OH Gasket Set
					CTPC7057B	Inframe OH Set
					CTPC7057C	Cylinder Head Repl. Gasket Set
	SAP01-UP	281-9826	C7 ON-HIGHWAY ENGINE	Turbocharged Single Head	CTPC7058A	Out of Frame OH Gasket Set
					CTPC7058B	Inframe OH Set
					CTPC7058C	Cylinder Head Repl. Gasket Set
	SAP01-UP	284-0333	C7 ON-HIGHWAY ENGINE	Turbocharged Single Head	CTPC7059A	Out of Frame OH Gasket Set
					CTPC7059B	Inframe OH Set
					CTPC7059C	Cylinder Head Repl. Gasket Set
SAP01-UP	284-0334, 284-0396	C7 ON-HIGHWAY ENGINE	Turbocharged Single Head	CTPC7060A	Out of Frame OH Gasket Set	
				CTPC7060B	Inframe OH Set	
				CTPC7060C	Cylinder Head Repl. Gasket Set	
TX701-UP	312-8512	815, 815B, 966D, 966E, 966F	Turbocharged Single Head	CTPC7087A	Out of Frame OH Gasket Set	
				CTPC7087B	Inframe OH Set	
				CTPC7087C	Cylinder Head Repl. Gasket Set	
TX701-UP TX700001- TX799999	330-9478	140G, MACHINE	Turbocharged Single Head	CTPC7081A	Out of Frame OH Gasket Set	
				CTPC7081B	Inframe OH Set	
				CTPC7081C	Cylinder Head Repl. Gasket Set	
TX701-UP TX700001- TX799999	366-2129	PM-10	Turbocharged Single Head	CTPC7089A	Out of Frame OH Gasket Set	
				CTPC7089B	Inframe OH Set	
				CTPC7089C	Cylinder Head Repl. Gasket Set	
TX701-UP TX700001- TX799999	390-3311	950H	Turbocharged Single Head	CTPC7088A	Out of Frame OH Gasket Set	
				CTPC7088B	Inframe OH Set	
				CTPC7088C	Cylinder Head Repl. Gasket Set	
TX701-UP TX700001- TX799999	395-0483	140M MACHINE	Turbocharged Single Head	CTPC7083A	Out of Frame OH Gasket Set	
				CTPC7083B	Inframe OH Set	
				CTPC7083C	Cylinder Head Repl. Gasket Set	

Prefix	Serial No.	Arrangement	Application	Comments	Part Number	Description
TX7	TX701-UP TX700001- TX799999	395-0485	120K, 12K, 140K	Turbocharged Single Head	CTPC7076A	Out of Frame OH Gasket Set
					CTPC7076B	Inframe OH Set
					CTPC7076C	Cylinder Head Repl. Gasket Set
	TX701-UP TX700001- TX799999	395-0486	12K	Turbocharged Single Head	CTPC7077A	Out of Frame OH Gasket Set
					CTPC7077B	Inframe OH Set
					CTPC7077C	Cylinder Head Repl. Gasket Set
	TX701-UP TX700001- TX799999	395-0487	120K	Turbocharged Single Head	CTPC7078A	Out of Frame OH Gasket Set
					CTPC7078B	Inframe OH Set
					CTPC7078C	Cylinder Head Repl. Gasket Set
	TX701-UP TX700001- TX799999	421-3387	525C	Turbocharged Single Head	CTPC7086A	Out of Frame OH Gasket Set
					CTPC7086B	Inframe OH Set
					CTPC7086C	Cylinder Head Repl. Gasket Set
	TX701-UP TX700001- TX799999	423-3919	324D MACHINE	Turbocharged Single Head	CTPC7084A	Out of Frame OH Gasket Set
					CTPC7084B	Inframe OH Set
					CTPC7084C	Cylinder Head Repl. Gasket Set
	TX701-UP	423-3920	325D	Turbocharged Single Head	CTPC7070A	Out of Frame OH Gasket Set
					CTPC7070B	Inframe OH Set
					CTPC7070C	Cylinder Head Repl. Gasket Set
	TX701-UP TX700001- TX799999	423-3922, 435-1295	325D, 329D, 434F, 444F, M325D	Turbocharged Single Head	CTPC7071A	Out of Frame OH Gasket Set
					CTPC7071B	Inframe OH Set
					CTPC7071C	Cylinder Head Repl. Gasket Set
	TX701-UP TX700001- TX799999	423-3923	324D, 325D, M325D	Turbocharged Single Head	CTPC7072A	Out of Frame OH Gasket Set
					CTPC7072B	Inframe OH Set
					CTPC7072C	Cylinder Head Repl. Gasket Set
TX701-UP	426-3762, 435-1298, 435-1302	324D, 325D, 328D, 336D, 329D, M325D	Turbocharged Single Head	CTPC7085A	Out of Frame OH Gasket Set	
				CTPC7085B	Inframe OH Set	
				CTPC7085C	Cylinder Head Repl. Gasket Set	
TX701-UP TX700001- TX799999	461-5202, 506-2265	12M, 140M C7	Turbocharged Single Head	CTPC7080A	Out of Frame OH Gasket Set	
				CTPC7080B	Inframe OH Set	
				CTPC7080C	Cylinder Head Repl. Gasket Set	
TX701-UP TX700001- TX799999	511-5381	120K, 12K, 140K, 160k	Turbocharged Single Head	CTPC7079A	Out of Frame OH Gasket Set	
				CTPC7079B	Inframe OH Set	
				CTPC7079C	Cylinder Head Repl. Gasket Set	
TX701-UP TX700001- TX799999	515-4703	140K MACHINE	Turbocharged Single Head	CTPC7082A	Out of Frame OH Gasket Set	
				CTPC7082B	Inframe OH Set	
				CTPC7082C	Cylinder Head Repl. Gasket Set	
WAX01-UP	235-9212, 239-4566	C7 ON-HIGHWAY ENGINE	Turbocharged Single Head	CTPC7002A	Out of Frame OH Gasket Set	
				CTPC7002B	Inframe OH Set	
				CTPC7002C	Cylinder Head Repl. Gasket Set	
WAX01-UP	235-9215	C7 ON-HIGHWAY ENGINE	Turbocharged Single Head	CTPC7003A	Out of Frame OH Gasket Set	
				CTPC7003B	Inframe OH Set	
				CTPC7003C	Cylinder Head Repl. Gasket Set	

Prefix	Serial No.	Arrangement	Application	Comments	Part Number	Description
WAX	WAX01-UP	237-1552, 246-9452	C7 ON-HIGHWAY ENGINE	Turbocharged Single Head	CTPC7004A	Out of Frame OH Gasket Set
					CTPC7004B	Inframe OH Set
					CTPC7004C	Cylinder Head Repl. Gasket Set
	WAX01-UP	237-1569	C7 ON-HIGHWAY ENGINE	Turbocharged Single Head	CTPC7005A	Out of Frame OH Gasket Set
					CTPC7005B	Inframe OH Set
					CTPC7005C	Cylinder Head Repl. Gasket Set
	WAX01-UP	237-1587	C7 ON-HIGHWAY ENGINE	Turbocharged Single Head	CTPC7006A	Out of Frame OH Gasket Set
					CTPC7006B	Inframe OH Set
					CTPC7006C	Cylinder Head Repl. Gasket Set
	WAX01-UP	237-1748	C7 ON-HIGHWAY ENGINE	Turbocharged Single Head	CTPC7007A	Out of Frame OH Gasket Set
					CTPC7007B	Inframe OH Set
					CTPC7007C	Cylinder Head Repl. Gasket Set
	WAX01-UP	237-1755	C7 ON-HIGHWAY ENGINE	Turbocharged Single Head	CTPC7008A	Out of Frame OH Gasket Set
					CTPC7008B	Inframe OH Set
					CTPC7008C	Cylinder Head Repl. Gasket Set
	WAX01-UP	237-1843	C7 ON-HIGHWAY ENGINE	Turbocharged Single Head	CTPC7009A	Out of Frame OH Gasket Set
					CTPC7009B	Inframe OH Set
					CTPC7009C	Cylinder Head Repl. Gasket Set
	WAX01-UP	237-1844	C7 ON-HIGHWAY ENGINE	Turbocharged Single Head	CTPC7010A	Out of Frame OH Gasket Set
					CTPC7010B	Inframe OH Set
					CTPC7010C	Cylinder Head Repl. Gasket Set
	WAX01-UP	238-7101	C7 ON-HIGHWAY ENGINE	Turbocharged Single Head	CTPC7011A	Out of Frame OH Gasket Set
					CTPC7011B	Inframe OH Set
					CTPC7011C	Cylinder Head Repl. Gasket Set
	WAX01-UP	238-7102	C7 ON-HIGHWAY ENGINE	Turbocharged Single Head	CTPC7012A	Out of Frame OH Gasket Set
					CTPC7012B	Inframe OH Set
					CTPC7012C	Cylinder Head Repl. Gasket Set
	WAX01-UP	238-7120	C7 ON-HIGHWAY ENGINE	Turbocharged Single Head	CTPC7013A	Out of Frame OH Gasket Set
					CTPC7013B	Inframe OH Set
					CTPC7013C	Cylinder Head Repl. Gasket Set
	WAX01-UP	238-7268	C7 ON-HIGHWAY ENGINE	Turbocharged Single Head	CTPC7014A	Out of Frame OH Gasket Set
					CTPC7014B	Inframe OH Set
					CTPC7014C	Cylinder Head Repl. Gasket Set
	WAX01-UP	238-7285	C7 ON-HIGHWAY ENGINE	Turbocharged Single Head	CTPC7015A	Out of Frame OH Gasket Set
					CTPC7015B	Inframe OH Set
					CTPC7015C	Cylinder Head Repl. Gasket Set
WAX01-UP	238-7305, 239-4680	C7 ON-HIGHWAY ENGINE	Turbocharged Single Head	CTPC7016A	Out of Frame OH Gasket Set	
				CTPC7016B	Inframe OH Set	
				CTPC7016C	Cylinder Head Repl. Gasket Set	
WAX01-UP	239-4582	C7 ON-HIGHWAY ENGINE	Turbocharged Single Head	CTPC7017A	Out of Frame OH Gasket Set	
				CTPC7017B	Inframe OH Set	
				CTPC7017C	Cylinder Head Repl. Gasket Set	

Prefix	Serial No.	Arrangement	Application	Comments	Part Number	Description
WAX	WAX01-UP	239-4688	C7 ON-HIGHWAY ENGINE	Turbocharged Single Head	CTPC7018A	Out of Frame OH Gasket Set
					CTPC7018B	Inframe OH Set
					CTPC7018C	Cylinder Head Repl. Gasket Set
	WAX01-UP	239-4709	C7 ON-HIGHWAY ENGINE	Turbocharged Single Head	CTPC7019A	Out of Frame OH Gasket Set
					CTPC7019B	Inframe OH Set
					CTPC7019C	Cylinder Head Repl. Gasket Set
	WAX01-UP	239-4724	C7 ON-HIGHWAY ENGINE	Turbocharged Single Head	CTPC7020A	Out of Frame OH Gasket Set
					CTPC7020B	Inframe OH Set
					CTPC7020C	Cylinder Head Repl. Gasket Set
	WAX01-UP	239-4725	C7 ON-HIGHWAY ENGINE	Turbocharged Single Head	CTPC7021A	Out of Frame OH Gasket Set
					CTPC7021B	Inframe OH Set
					CTPC7021C	Cylinder Head Repl. Gasket Set
	WAX01-UP	239-4736, 248-4611, 250-7304	C7 ON-HIGHWAY ENGINE	Turbocharged Single Head	CTPC7022A	Out of Frame OH Gasket Set
					CTPC7022B	Inframe OH Set
					CTPC7022C	Cylinder Head Repl. Gasket Set
	WAX01-UP	239-4754, 245-6973, 245-6990, 245-7227	C7 ON-HIGHWAY ENGINE	Turbocharged Single Head	CTPC7023A	Out of Frame OH Gasket Set
					CTPC7023B	Inframe OH Set
					CTPC7023C	Cylinder Head Repl. Gasket Set
	WAX01-UP	240-4277	C7 ON-HIGHWAY ENGINE	Turbocharged Single Head	CTPC7024A	Out of Frame OH Gasket Set
					CTPC7024B	Inframe OH Set
					CTPC7024C	Cylinder Head Repl. Gasket Set
	WAX01-UP	240-4305	C7 ON-HIGHWAY ENGINE	Turbocharged Single Head	CTPC7025A	Out of Frame OH Gasket Set
					CTPC7025B	Inframe OH Set
					CTPC7025C	Cylinder Head Repl. Gasket Set
	WAX01-UP	240-4309	C7 ON-HIGHWAY ENGINE	Turbocharged Single Head	CTPC7026A	Out of Frame OH Gasket Set
					CTPC7026B	Inframe OH Set
					CTPC7026C	Cylinder Head Repl. Gasket Set
	WAX01-UP	240-4314	C7 ON-HIGHWAY ENGINE	Turbocharged Single Head	CTPC7027A	Out of Frame OH Gasket Set
					CTPC7027B	Inframe OH Set
					CTPC7027C	Cylinder Head Repl. Gasket Set
	WAX01-UP	240-4446, 241-1303, 241-1306	C7 ON-HIGHWAY ENGINE	Turbocharged Single Head	CTPC7028A	Out of Frame OH Gasket Set
					CTPC7028B	Inframe OH Set
					CTPC7028C	Cylinder Head Repl. Gasket Set
	WAX01-UP	240-4463, 244-4716, 250-7302, 250-7492	C7 ON-HIGHWAY ENGINE	Turbocharged Single Head	CTPC7029A	Out of Frame OH Gasket Set
					CTPC7029B	Inframe OH Set
					CTPC7029C	Cylinder Head Repl. Gasket Set
WAX01-UP	241-1278	C7 ON-HIGHWAY ENGINE	Turbocharged Single Head	CTPC7030A	Out of Frame OH Gasket Set	
				CTPC7030B	Inframe OH Set	
				CTPC7030C	Cylinder Head Repl. Gasket Set	
WAX01-UP	241-1287	C7 ON-HIGHWAY ENGINE	Turbocharged Single Head	CTPC7031A	Out of Frame OH Gasket Set	
				CTPC7031B	Inframe OH Set	
				CTPC7031C	Cylinder Head Repl. Gasket Set	

Prefix	Serial No.	Arrangement	Application	Comments	Part Number	Description
WAX	WAX01-UP	241-1294	C7 ON-HIGHWAY ENGINE	Turbocharged Single Head	CTPC7032A	Out of Frame OH Gasket Set
					CTPC7032B	Inframe OH Set
					CTPC7032C	Cylinder Head Repl. Gasket Set
	WAX01-UP	241-1311	C7 ON-HIGHWAY ENGINE	Turbocharged Single Head	CTPC7033A	Out of Frame OH Gasket Set
					CTPC7033B	Inframe OH Set
					CTPC7033C	Cylinder Head Repl. Gasket Set
	WAX01-UP	241-1344, 242-7641, 248-4612, 249-8462	C7 ON-HIGHWAY ENGINE	Turbocharged Single Head	CTPC7034A	Out of Frame OH Gasket Set
					CTPC7034B	Inframe OH Set
					CTPC7034C	Cylinder Head Repl. Gasket Set
	WAX01-UP	241-1362	C7 ON-HIGHWAY ENGINE	Turbocharged Single Head	CTPC7035A	Out of Frame OH Gasket Set
					CTPC7035B	Inframe OH Set
					CTPC7035C	Cylinder Head Repl. Gasket Set
	WAX01-UP	241-1363	C7 ON-HIGHWAY ENGINE	Turbocharged Single Head	CTPC7036A	Out of Frame OH Gasket Set
					CTPC7036B	Inframe OH Set
					CTPC7036C	Cylinder Head Repl. Gasket Set
	WAX01-UP	241-1366	C7 ON-HIGHWAY ENGINE	Turbocharged Single Head	CTPC7037A	Out of Frame OH Gasket Set
					CTPC7037B	Inframe OH Set
					CTPC7037C	Cylinder Head Repl. Gasket Set
	WAX01-UP	242-7655	C7 ON-HIGHWAY ENGINE	Turbocharged Single Head	CTPC7038A	Out of Frame OH Gasket Set
					CTPC7038B	Inframe OH Set
					CTPC7038C	Cylinder Head Repl. Gasket Set
	WAX01-UP	245-6960	C7 ON-HIGHWAY ENGINE	Turbocharged Single Head	CTPC7039A	Out of Frame OH Gasket Set
					CTPC7039B	Inframe OH Set
					CTPC7039C	Cylinder Head Repl. Gasket Set
	WAX01-UP	246-9475, 246-9483, 251-9075, 251-9076	C7 ON-HIGHWAY ENGINE	Turbocharged Single Head	CTPC7040A	Out of Frame OH Gasket Set
					CTPC7040B	Inframe OH Set
					CTPC7040C	Cylinder Head Repl. Gasket Set
	WAX01-UP	245-9476	C7	Turbocharged Single Head	CTPC7041C	Cylinder Head Repl. Gasket Set
	WAX01-UP	246-9707	C7	Turbocharged Single Head	CTPC7042C	Cylinder Head Repl. Gasket Set
	WAX01-UP	246-9726	C7 ON-HIGHWAY ENGINE	Turbocharged Single Head	CTPC7043A	Out of Frame OH Gasket Set
					CTPC7043B	Inframe OH Set
					CTPC7043C	Cylinder Head Repl. Gasket Set
	WAX01-UP	249-8272, 251-9033	C7 ON-HIGHWAY ENGINE	Turbocharged Single Head	CTPC7044A	Out of Frame OH Gasket Set
					CTPC7044B	Inframe OH Set
					CTPC7044C	Cylinder Head Repl. Gasket Set
	WAX01-UP	250-7305	C7 ON-HIGHWAY ENGINE	Turbocharged Single Head	CTPC7045A	Out of Frame OH Gasket Set
CTPC7045B					Inframe OH Set	
CTPC7045C					Cylinder Head Repl. Gasket Set	

Prefix	Serial No.	Arrangement	Application	Comments	Part Number	Description
WAX	WAX01-UP	251-8954	C7 ON-HIGHWAY ENGINE	Turbocharged Single Head	CTPC7046A	Out of Frame OH Gasket Set
					CTPC7046B	Inframe OH Set
					CTPC7046C	Cylinder Head Repl. Gasket Set
	WAX01-UP	251-9077, 271-1201	C7 ON-HIGHWAY ENGINE	Turbocharged Single Head	CTPC7047A	Out of Frame OH Gasket Set
					CTPC7047B	Inframe OH Set
					CTPC7047C	Cylinder Head Repl. Gasket Set
	WAX01-UP	253-5719, 253-5721	C7 ON-HIGHWAY ENGINE	Turbocharged Single Head	CTPC7048A	Out of Frame OH Gasket Set
					CTPC7048B	Inframe OH Set
					CTPC7048C	Cylinder Head Repl. Gasket Set
	WAX01-UP	253-5720, 253-5722	C7 ON-HIGHWAY ENGINE	Turbocharged Single Head	CTPC7049A	Out of Frame OH Gasket Set
					CTPC7049B	Inframe OH Set
					CTPC7049C	Cylinder Head Repl. Gasket Set
	WAX01-UP	254-9549	C7 ON-HIGHWAY ENGINE	Turbocharged Single Head	CTPC7050A	Out of Frame OH Gasket Set
					CTPC7050B	Inframe OH Set
					CTPC7050C	Cylinder Head Repl. Gasket Set
	WAX01-UP	264-5478	C7 ON-HIGHWAY ENGINE	Turbocharged Single Head	CTPC7051A	Out of Frame OH Gasket Set
					CTPC7051B	Inframe OH Set
					CTPC7051C	Cylinder Head Repl. Gasket Set
	WAX01-UP	264-5479	C7 ON-HIGHWAY ENGINE	Turbocharged Single Head	CTPC7052A	Out of Frame OH Gasket Set
					CTPC7052B	Inframe OH Set
					CTPC7052C	Cylinder Head Repl. Gasket Set
	WAX01-UP	264-5480	C7 ON-HIGHWAY ENGINE	Turbocharged Single Head	CTPC7053A	Out of Frame OH Gasket Set
					CTPC7053B	Inframe OH Set
					CTPC7053C	Cylinder Head Repl. Gasket Set
	WAX01-UP	264-5551	C7 ON-HIGHWAY ENGINE	Turbocharged Single Head	CTPC7054A	Out of Frame OH Gasket Set
					CTPC7054B	Inframe OH Set
					CTPC7054C	Cylinder Head Repl. Gasket Set
	WAX01-UP	267-5960	C7 ON-HIGHWAY ENGINE	Turbocharged Single Head	CTPC7055A	Out of Frame OH Gasket Set
					CTPC7055B	Inframe OH Set
					CTPC7055C	Cylinder Head Repl. Gasket Set
	WAX01-UP	271-1202, 271-1203	C7 ON-HIGHWAY ENGINE	Turbocharged Single Head	CTPC7056A	Out of Frame OH Gasket Set
					CTPC7056B	Inframe OH Set
					CTPC7056C	Cylinder Head Repl. Gasket Set
	WAX01-UP	281-9628	C7 ON-HIGHWAY ENGINE	Turbocharged Single Head	CTPC7057A	Out of Frame OH Gasket Set
					CTPC7057B	Inframe OH Set
					CTPC7057C	Cylinder Head Repl. Gasket Set
WAX01-UP	281-9826	C7 ON-HIGHWAY ENGINE	Turbocharged Single Head	CTPC7058A	Out of Frame OH Gasket Set	
				CTPC7058B	Inframe OH Set	
				CTPC7058C	Cylinder Head Repl. Gasket Set	

Prefix	Serial No.	Arrangement	Application	Comments	Part Number	Description
WAX	WAX01-UP	284-0333	C7 ON-HIGHWAY ENGINE	Turbocharged Single Head	CTPC7059A	Out of Frame OH Gasket Set
					CTPC7059B	Inframe OH Set
					CTPC7059C	Cylinder Head Repl. Gasket Set
	WAX01-UP	284-0334, 284-0396	C7 ON-HIGHWAY ENGINE	Turbocharged Single Head	CTPC7060A	Out of Frame OH Gasket Set
					CTPC7060B	Inframe OH Set
					CTPC7060C	Cylinder Head Repl. Gasket Set
	WAX20740	258-9208	C7 ON-HIGHWAY ENGINE	Turbocharged Single Head	CTPC7001A	Out of Frame OH Gasket Set
					CTPC7001B	Inframe OH Set
					CTPC7001C	Cylinder Head Repl. Gasket Set

## C9

Prefix	Serial No.	Arrangement	Application	Comments	Part Number	Description
4ZF	4ZF01-UP	166-0270, 166-0273, 168-8371, 168-8372, 169-3791, 176-5509, 176-9269, 254-5748, 254-5750, 254-5751, 254-5752, 254-5753, 255-5205	D6R SERIES II TRACK TYPE TRACTOR	Turbocharged	CTPC9005A	Out of Frame OH Gasket Set
					CTPC9005B	Inframe OH Set
					CTPC9005C	Cylinder Head Repl. Gasket Set
	4ZF01-UP	168-7967	12H MOTOR GRADER	Turbocharged Single Head	CTPC9006A	Out of Frame OH Gasket Set
					CTPC9006B	Inframe OH Set
					CTPC9006C	Cylinder Head Repl. Gasket Set
	4ZF01-UP	285-6123	12H MOTOR GRADER	Turbocharged Single Head	CTPC9007A	Out of Frame OH Gasket Set
					CTPC9007B	Inframe OH Set
					CTPC9007C	Cylinder Head Repl. Gasket Set
	4ZF01-UP	187-0470, 208-3027, 211-5020, 235-4129	330C	Turbocharged Single Head	CTPC9008A	Out of Frame OH Gasket Set
					CTPC9008B	Inframe OH Set
					CTPC9008C	Cylinder Head Repl. Gasket Set
	4ZF01-UP	234-2817	330C	Turbocharged Single Head	CTPC9009C	Cylinder Head Repl. Gasket Set
	4ZF01-UP	234-2917	330C	Turbocharged Single Head	CTPC9010A	Out of Frame OH Gasket Set
					CTPC9010B	Inframe OH Set
					CTPC9010C	Cylinder Head Repl. Gasket Set
	4ZF01-UP	237-0283	330C	Turbocharged Single Head	CTPC9011A	Out of Frame OH Gasket Set
					CTPC9011B	Inframe OH Set
					CTPC9011C	Cylinder Head Repl. Gasket Set
	4ZF01-UP	242-0067, 253-8366	330C	Turbocharged Single Head	CTPC9012A	Out of Frame OH Gasket Set
					CTPC9012B	Inframe OH Set
					CTPC9012C	Cylinder Head Repl. Gasket Set
	4ZF01-UP	203-7058	470, 475	Turbocharged Single Head	CTPC9013C	Cylinder Head Repl. Gasket Set

Prefix	Serial No.	Arrangement	Application	Comments	Part Number	Description
4ZF	4ZF01-UP	174-7519	627G	Turbocharged Single Head	CTPC9014A	Out of Frame OH Gasket Set
					CTPC9014B	Inframe OH Set
					CTPC9014C	Cylinder Head Repl. Gasket Set
	4ZF01-UP	174-7522	637G	Turbocharged Single Head	CTPC9015A	Out of Frame OH Gasket Set
					CTPC9015B	Inframe OH Set
					CTPC9015C	Cylinder Head Repl. Gasket Set
	4ZF01-UP	166-0273	D6	Turbocharged Single Head	CTPC9017C	Cylinder Head Repl. Gasket Set
	4ZF01-UP	166-0273	D6R	Turbocharged Single Head	CTPC9018A	Out of Frame OH Gasket Set
					CTPC9018B	Inframe OH Set
					CTPC9018C	Cylinder Head Repl. Gasket Set
	4ZF01-UP	169-3791	D6R	Turbocharged Single Head	CTPC9020A	Out of Frame OH Gasket Set
					CTPC9020B	Inframe OH Set
					CTPC9020C	Cylinder Head Repl. Gasket Set
	4ZF01-UP	176-5509, 176-9269	D6R	Turbocharged Single Head	CTPC9021A	Out of Frame OH Gasket Set
					CTPC9021B	Inframe OH Set
CTPC9021C					Cylinder Head Repl. Gasket Set	
4ZF01-UP	254-5750, 254-5751, 254-5752, 254-5753	D6R	Turbocharged Single Head	CTPC9022A	Out of Frame OH Gasket Set	
				CTPC9022B	Inframe OH Set	
				CTPC9022C	Cylinder Head Repl. Gasket Set	
4ZF01-UP	177-1414, 177-1416, 177-1418, 179-4956	MT745, MT755	Turbocharged Single Head	CTPC9023A	Out of Frame OH Gasket Set	
				CTPC9023B	Inframe OH Set	
				CTPC9023C	Cylinder Head Repl. Gasket Set	
4ZF01-UP	177-1418, 179-4958	MT765	Turbocharged Single Head	CTPC9025A	Out of Frame OH Gasket Set	
				CTPC9025B	Inframe OH Set	
				CTPC9025C	Cylinder Head Repl. Gasket Set	
4ZF01-UP	194-4160	MTC73, MT735	Turbocharged Single Head	CTPC9061A	Out of Frame OH Gasket Set	
				CTPC9061B	Inframe OH Set	
				CTPC9061C	Cylinder Head Repl. Gasket Set	
7AZ	7AZ01-UP	187-0470, 208-3027, 211-5020	330C	Turbocharged Single Head	CTPC9026A	Out of Frame OH Gasket Set
					CTPC9026B	Inframe OH Set
					CTPC9026C	Cylinder Head Repl. Gasket Set
	7AZ01-UP	237-0283	330C	Turbocharged Single Head	CTPC9029A	Out of Frame OH Gasket Set
					CTPC9029B	Inframe OH Set
					CTPC9029C	Cylinder Head Repl. Gasket Set
	7AZ01-UP	254-5750, 254-5752	D6R	Turbocharged Single Head	CTPC9030A	Out of Frame OH Gasket Set
					CTPC9030B	Inframe OH Set
					CTPC9030C	Cylinder Head Repl. Gasket Set



Prefix	Serial No.	Arrangement	Application	Comments	Part Number	Description	
9DG	9DG07691-UP	248-4695	C9 TRUCK ENGINE	Turbocharged Single Head	CTPC9047A	Out of Frame OH Gasket Set	
					CTPC9047B	Inframe OH Set	
					CTPC9047C	Cylinder Head Repl. Gasket Set	
	9DG00419-UP	249-8276	C9 TRUCK ENGINE	Turbocharged Single Head	CTPC9048A	Out of Frame OH Gasket Set	
					CTPC9048B	Inframe OH Set	
					CTPC9048C	Cylinder Head Repl. Gasket Set	
	9DG00419-UP	249-8311, 250-7399, 261-5233	C9 TRUCK ENGINE	Turbocharged Single Head	CTPC9049A	Out of Frame OH Gasket Set	
					CTPC9049B	Inframe OH Set	
					CTPC9049C	Cylinder Head Repl. Gasket Set	
	9DG01-UP	249-8410	C9 TRUCK ENGINE	Turbocharged Single Head	CTPC9050A	Out of Frame OH Gasket Set	
					CTPC9050B	Inframe OH Set	
					CTPC9050C	Cylinder Head Repl. Gasket Set	
	9DG07691-UP	263-0690, 281-9719	C9 TRUCK ENGINE	Turbocharged Single Head	CTPC9051A	Out of Frame OH Gasket Set	
					CTPC9051B	Inframe OH Set	
					CTPC9051C	Cylinder Head Repl. Gasket Set	
	9DG01-UP	267-5876	C9 TRUCK ENGINE	Turbocharged Single Head	CTPC9052A	Out of Frame OH Gasket Set	
					CTPC9052B	Inframe OH Set	
					CTPC9052C	Cylinder Head Repl. Gasket Set	
	9DG07691-UP	269-4395	C9 TRUCK ENGINE	Turbocharged Single Head	CTPC9053A	Out of Frame OH Gasket Set	
					CTPC9053B	Inframe OH Set	
					CTPC9053C	Cylinder Head Repl. Gasket Set	
	9DG01-UP	284-0128	C9 TRUCK ENGINE	Turbocharged Single Head	CTPC9054A	Out of Frame OH Gasket Set	
					CTPC9054B	Inframe OH Set	
					CTPC9054C	Cylinder Head Repl. Gasket Set	
	9DG07691-UP	286-7789	C9 TRUCK ENGINE	Turbocharged Single Head	CTPC9055A	Out of Frame OH Gasket Set	
					CTPC9055B	Inframe OH Set	
					CTPC9055C	Cylinder Head Repl. Gasket Set	
	C9N	C9N01-UP	415-4107	C9.3 INDUSTRIAL	Turbocharged Single Head	CTPC9072A	Out of Frame OH Gasket Set
						CTPC9072B	Inframe OH Set
						CTPC9072C	Cylinder Head Repl. Gasket Set
C9N01-UP		415-4110, 415-4113, 415-4114	C9, C9.3 INDUSTRIAL	Turbocharged Single Head	CTPC9073A	Out of Frame OH Gasket Set	
					CTPC9073B	Inframe OH Set	
					CTPC9073C	Cylinder Head Repl. Gasket Set	
C9N01-UP		415-4112	C9.3 INDUSTRIAL	Turbocharged Single Head	CTPC9074A	Out of Frame OH Gasket Set	
					CTPC9074B	Inframe OH Set	
					CTPC9074C	Cylinder Head Repl. Gasket Set	

Prefix	Serial No.	Arrangement	Application	Comments	Part Number	Description
C9S	C9S01-UP	293-2502, 295-3792, 317-0274, 319-4723	TRUCK	Turbocharged Single Head	CTPC9063A	Out of Frame OH Gasket Set
					CTPC9063B	Inframe OH Set
					CTPC9063C	Cylinder Head Repl. Gasket Set
C9Y	C9Y01-UP	339-5167, 339-5168, 339-5169, 339-5170, 339-5171, 339-5172	C9 MARINE ENGINE	Turbocharged Single Head	CTPC9086A	Out of Frame OH Gasket Set
					CTPC9086B	Inframe OH Set
					CTPC9086C	Cylinder Head Repl. Gasket Set
CKP	CKP01-UP	199-9654	TRUCK	Turbocharged Single Head	CTPC9068A	Out of Frame OH Gasket Set
					CTPC9068B	Inframe OH Set
					CTPC9068C	Cylinder Head Repl. Gasket Set
	CKP01-UP	276-4528	TRUCK	Turbocharged Single Head	CTPC9069A	Out of Frame OH Gasket Set
					CTPC9069B	Inframe OH Set
					CTPC9069C	Cylinder Head Repl. Gasket Set
	CKP01-UP	396-8961	TRUCK	Turbocharged Single Head	CTPC9070A	Out of Frame OH Gasket Set
					CTPC9070B	Inframe OH Set
					CTPC9070C	Cylinder Head Repl. Gasket Set
CLJ	CLJ01-UP	203-7056, 203-7057	C9	Turbocharged Single Head	CTPC9031A	Out of Frame OH Gasket Set
					CTPC9031B	Inframe OH Set
					CTPC9031C	Cylinder Head Repl. Gasket Set
	CLJ01-UP	208-2835, 208-2840, 214-3561, 235-8166	C9	Turbocharged Single Head	CTPC9033A	Out of Frame OH Gasket Set
					CTPC9033B	Inframe OH Set
					CTPC9033C	Cylinder Head Repl. Gasket Set
	CLJ01-UP	208-2837, 235-8165	C9	Turbocharged Single Head	CTPC9034A	Out of Frame OH Gasket Set
					CTPC9034B	Inframe OH Set
					CTPC9034C	Cylinder Head Repl. Gasket Set
	CLJ01-UP	196-8493, 203-7056, 203-7057, 203-7058, 208-2835, 208-2840, 208-2841, 265-3437	INDUSTRIAL	Turbocharged Single Head	CTPC9001A	Out of Frame OH Gasket Set
					CTPC9001B	Inframe OH Set
					CTPC9001C	Cylinder Head Repl. Gasket Set
CSN	CSN01-UP	226-1104	C9 MARINE ENGINE	Turbocharged Single Head	CTPC9087A	Out of Frame OH Gasket Set
					CTPC9087B	Inframe OH Set
					CTPC9087C	Cylinder Head Repl. Gasket Set
JSC	JSC01-UP	387-1326	C9.3 INDUSTRIAL	Turbocharged Single Head	CTPC9075A	Out of Frame OH Gasket Set
					CTPC9075B	Inframe OH Set
					CTPC9075C	Cylinder Head Repl. Gasket Set
	JSC01-UP	387-1329, 398-3120	C9.3 INDUSTRIAL	Turbocharged Single Head	CTPC9076A	Out of Frame OH Gasket Set
					CTPC9076B	Inframe OH Set
					CTPC9076C	Cylinder Head Repl. Gasket Set

Prefix	Serial No.	Arrangement	Application	Comments	Part Number	Description
JSC	JSC01-UP	244-6781, 244-6782, 252-4430, 252-4432, 252-4433, 252-4434, 252-4435, 252-4436, 256-3690, 256-3694, 256-3696, 261-2204, 287-3653, 298-3758, 311-2590, 311-2591	INDUSTRIAL	Turbocharged	CTPC9002A	Out of Frame OH Gasket Set
					CTPC9002B	Inframe OH Set
					CTPC9002C	Cylinder Head Repl. Gasket Set
KLW	KLW01-UP	244-6781, 244-6782, 252-4430, 252-4432, 252-4433, 252-4434, 252-4435, 252-4436, 256-3690, 256-3694, 256-3696, 261-2204, 287-3653, 298-3758, 311-2590, 311-2591	INDUSTRIAL	Turbocharged	CTPC9002A	Out of Frame OH Gasket Set
					CTPC9002B	Inframe OH Set
					CTPC9002C	Cylinder Head Repl. Gasket Set
LFE	LFE01-UP	347-0786, 250-9966	TRUCK	Turbocharged Single Head	CTPC9064A	Out of Frame OH Gasket Set
					CTPC9064B	Inframe OH Set
					CTPC9064C	Cylinder Head Repl. Gasket Set
	LFE01-UP	323-6393	TRUCK	Turbocharged Single Head	CTPC9065A	Out of Frame OH Gasket Set
					CTPC9065B	Inframe OH Set
					CTPC9065C	Cylinder Head Repl. Gasket Set
	LFE01-UP	250-9967, 357-1095	TRUCK	Turbocharged Single Head	CTPC9066A	Out of Frame OH Gasket Set
					CTPC9066B	Inframe OH Set
					CTPC9066C	Cylinder Head Repl. Gasket Set
	LFE01-UP	444-5651	TRUCK	Turbocharged Single Head	CTPC9067A	Out of Frame OH Gasket Set
					CTPC9067B	Inframe OH Set
					CTPC9067C	Cylinder Head Repl. Gasket Set
MBD	MBD01-UP	244-6781, 244-6782, 252-4430, 252-4432, 252-4433, 252-4434, 252-4435, 252-4436, 256-3690, 256-3694, 256-3696, 261-2204, 287-3653, 298-3758, 311-2590, 311-2591	INDUSTRIAL	Turbocharged	CTPC9002A	Out of Frame OH Gasket Set
					CTPC9002B	Inframe OH Set
					CTPC9002C	Cylinder Head Repl. Gasket Set
MME	MME01-UP	364-1558, 395-0347	D6T LGP TRACK TYPE TRACTOR, D6T XL TRACK- TYPE TRACTOR, D6T XW TRACK TYPE TRACTOR	Turbocharged Single Head	CTPC9058A	Out of Frame OH Gasket Set
					CTPC9058B	Inframe OH Set
					CTPC9058C	Cylinder Head Repl. Gasket Set
MTB	MTB01-UP	299-8497	TRUCK	Turbocharged Single Head	CTPC9062A	Out of Frame OH Gasket Set
					CTPC9062B	Inframe OH Set
					CTPC9062C	Cylinder Head Repl. Gasket Set

Prefix	Serial No.	Arrangement	Application	Comments	Part Number	Description
MYE	MYE01-UP	364-1558, 395-0347	D6T LGP TRACK TYPE TRACTOR, D6T XL TRACK- TYPE TRACTOR, D6T XW TRACK TYPE TRACTOR	Turbocharged Single Head	CTPC9058A	Out of Frame OH Gasket Set
					CTPC9058B	Inframe OH Set
					CTPC9058C	Cylinder Head Repl. Gasket Set
NSE	NSE01-UP	395-0368, 395-0369	C9 GENERATOR	Turbocharged Single Head	CTPC9090A	Out of Frame OH Gasket Set
					CTPC9090B	Inframe OH Set
					CTPC9090C	Cylinder Head Repl. Gasket Set
REH	REH01-UP	387-1318, 387-1322, 398-3122	C9	Tuzzrbocharged Single Head	CTPC9060A	Out of Frame OH Gasket Set
					CTPC9060B	Inframe OH Set
					CTPC9060C	Cylinder Head Repl. Gasket Set
	REH01-UP	387-1318	C9.3 INDUSTRIAL	Turbocharged Single Head	CTPC9077A	Out of Frame OH Gasket Set
					CTPC9077B	Inframe OH Set
					CTPC9077C	Cylinder Head Repl. Gasket Set
	REH01-UP	387-1326	C9.3 INDUSTRIAL	Turbocharged Single Head	CTPC9078A	Out of Frame OH Gasket Set
					CTPC9078B	Inframe OH Set
					CTPC9078C	Cylinder Head Repl. Gasket Set
	REH01-UP	387-1329	C9 INDUSTRIAL	Turbocharged Single Head	CTPC9079A	Out of Frame OH Gasket Set
					CTPC9079B	Inframe OH Set
					CTPC9079C	Cylinder Head Repl. Gasket Set
REH00785-UP	392-5471	C9 INDUSTRIAL	Turbocharged Single Head	CTPC9080A	Out of Frame OH Gasket Set	
				CTPC9080B	Inframe OH Set	
				CTPC9080C	Cylinder Head Repl. Gasket Set	
REH01-UP	392-5474	C9 INDUSTRIAL	Turbocharged Single Head	CTPC9081A	Out of Frame OH Gasket Set	
				CTPC9081B	Inframe OH Set	
				CTPC9081C	Cylinder Head Repl. Gasket Set	
REH01-UP	392-5481	C9 INDUSTRIAL	Turbocharged Single Head	CTPC9082A	Out of Frame OH Gasket Set	
				CTPC9082B	Inframe OH Set	
				CTPC9082C	Cylinder Head Repl. Gasket Set	
REH01-UP	398-3120	C9 INDUSTRIAL	Turbocharged Single Head	CTPC9083A	Out of Frame OH Gasket Set	
				CTPC9083B	Inframe OH Set	
				CTPC9083C	Cylinder Head Repl. Gasket Set	
REH01-UP	398-3122	C9 INDUSTRIAL	Turbocharged Single Head	CTPC9084A	Out of Frame OH Gasket Set	
				CTPC9084B	Inframe OH Set	
				CTPC9084C	Cylinder Head Repl. Gasket Set	

Prefix	Serial No.	Arrangement	Application	Comments	Part Number	Description
REH	REH01-UP	491-2419	C9 INDUSTRIAL	Turbocharged Single Head	CTPC9085A	Out of Frame OH Gasket Set
					CTPC9085B	Inframe OH Set
					CTPC9085C	Cylinder Head Repl. Gasket Set
S9L	S9L01-UP	395-0368, 395-0369	C9 GENERATOR	Turbocharged Single Head	CTPC9090A	Out of Frame OH Gasket Set
					CTPC9090B	Inframe OH Set
					CTPC9090C	Cylinder Head Repl. Gasket Set
	S9L01-UP	253-1644, 257-5707	C9 GENERATOR	Turbocharged Single Head	CTPC9091A	Out of Frame OH Gasket Set
					CTPC9091B	Inframe OH Set
					CTPC9091C	Cylinder Head Repl. Gasket Set
	S9L01-UP	259-1808	C9 GENERATOR	Turbocharged Single Head	CTPC9092A	Out of Frame OH Gasket Set
					CTPC9092B	Inframe OH Set
					CTPC9092C	Cylinder Head Repl. Gasket Set
S9P	S9P01-UP	395-0368, 395-0369	C9 GENERATOR	Turbocharged Single Head	CTPC9090A	Out of Frame OH Gasket Set
					CTPC9090B	Inframe OH Set
					CTPC9090C	Cylinder Head Repl. Gasket Set
S9X	S9X01-UP	467-9194	C9 GENERATOR	Turbocharged Single Head	CTPC9088A	Out of Frame OH Gasket Set
					CTPC9088B	Inframe OH Set
					CTPC9088C	Cylinder Head Repl. Gasket Set
S9Z	S9Z01-UP	488-7038	C9 GENERATOR	Turbocharged Single Head	CTPC9089A	Out of Frame OH Gasket Set
					CTPC9089B	Inframe OH Set
					CTPC9089C	Cylinder Head Repl. Gasket Set
SAN	SAN01-UP	242-0067	330C	Turbocharged Single Head	CTPC9035A	Out of Frame OH Gasket Set
					CTPC9035B	Inframe OH Set
					CTPC9035C	Cylinder Head Repl. Gasket Set
	SAN01-UP	253-8366, 253-8367	330C	Turbocharged Single Head	CTPC9036A	Out of Frame OH Gasket Set
					CTPC9036B	Inframe OH Set
					CTPC9036C	Cylinder Head Repl. Gasket Set
	SAN01-UP	169-3791, 254-5753	D6R	Turbocharged Single Head	CTPC9038A	Out of Frame OH Gasket Set
					CTPC9038B	Inframe OH Set
					CTPC9038C	Cylinder Head Repl. Gasket Set
SRB	SRB01-UP	256-2159	TRUCK	Turbocharged Single Head	CTPC9071A	Out of Frame OH Gasket Set
					CTPC9071B	Inframe OH Set
					CTPC9071C	Cylinder Head Repl. Gasket Set

Prefix	Serial No.	Arrangement	Application	Comments	Part Number	Description
SYE	SYE01-UP	373-3754	966M	Turbocharged Single Head	CTPC9059A	Out of Frame OH Gasket Set
					CTPC9059B	Inframe OH Set
					CTPC9059C	Cylinder Head Repl. Gasket Set
THX	THX01-UP	222-8297, 224-9843, 229-2665, 235-8136, 236-4285, 239-6405, 240-1861, 253-5329, 253-5330, 262-1359, 264-8493, 264-8598, 266-6263, 266-6311, 270-2770, 270-2771, 270-4215, 270-4216, 272-0428, 275-3735, 279-7825, 290-0760, 298-4095, 301-3082, 316-3829	330D, 330D L	Turbocharged	CTPC9003A	Out of Frame OH Gasket Set
					CTPC9003B	Inframe OH Set
					CTPC9003C	Cylinder Head Repl. Gasket Set
	THX01-UP	223-0551, 237-2707, 261-4290, 261-4291, 261-4294, 261-4295, 261-4296, 261-4297, 261-4530, 261-4531, 261-4534, 261-4535, 261-4536, 261-4537, 279-9549, 282-3823, 282-3824, 282-3825, 282-3826, 282-3827, 282-3828, 282-3829, 282-3830, 301-5768, 301-5769	D6R SERIES III, D6T TRACK-TYPE TRACTOR	Turbocharged	CTPC9004A	Out of Frame OH Gasket Set
					CTPC9004B	Inframe OH Set
					CTPC9004C	Cylinder Head Repl. Gasket Set
	THX01-UP	261-4290	D6R SERIES III TRACK-TYPE TRACTOR XL, XW, D6R SERIES III TRACK-TYPE TRACTOR STD, XL, D6R SERIES III TRACK-TYPE TRACTOR XL PAT, LGP	Turbocharged Single Head	CTPC9039C	Cylinder Head Repl. Gasket Set
	THX01-UP	261-4291, 261-4294, 261-4295, 261-4297, 287-7574	D6R SERIES III TRACK-TYPE TRACTOR XL, XW D6R SERIES III TRACK-TYPE TRACTOR STD, XL, D6R SERIES III TRACK-TYPE TRACTOR XL PAT, LGP	Turbocharged Single Head	CTPC9040C	Cylinder Head Repl. Gasket Set

Prefix	Serial No.	Arrangement	Application	Comments	Part Number	Description
THX	THX01-UP	318-1904, 318-1905, 355-7356, 387-8577, 387-8582	D6R TRACK-TYPE TRACTOR STD, XL, LGP, D6R SERIES III TRACK-TYPE TRACTOR XW, LGP	Turbocharged Single Head	CTPC9041C	Cylinder Head Repl. Gasket Set
	THX01-UP	253-5330, 301-3082	330D & 330D L EXCAVATION	Turbocharged Single Head	CTPC9042C	Cylinder Head Repl. Gasket Set
	THX01-UP	270-2770, 270-2771	330D & 330D L EXCAVATION	Turbocharged Single Head	CTPC9043A	Out of Frame OH Gasket Set
					CTPC9043B	Inframe OH Set
					CTPC9043C	Cylinder Head Repl. Gasket Set
	THX01-UP	290-0760	330D & 330D L EXCAVATION, 330 L MOBILE HYDRAULIC	Turbocharged Single Head	CTPC9044A	Out of Frame OH Gasket Set
					CTPC9044B	Inframe OH Set
					CTPC9044C	Cylinder Head Repl. Gasket Set
	THX01-UP	349-3571	330D MATERIAL HANDLER (HCR & FCR)	Turbocharged Single Head	CTPC9045C	Cylinder Head Repl. Gasket Set
	THX01-UP	391-1073	330D	Turbocharged Single Head	CTPC9046C	Cylinder Head Repl. Gasket Set
THX01-UP	290-0760	330D L EXCAVATOR, 336D L EXCAVATOR	Turbocharged Single Head	CTPC9056A	Out of Frame OH Gasket Set	
				CTPC9056B	Inframe OH Set	
				CTPC9056C	Cylinder Head Repl. Gasket Set	
THX01-UP	387-8581, 387-8582	D6R STD TRACK- TYPE TRACTOR, D6R XL TRACK TYPE TRACTOR	Turbocharged Single Head	CTPC9057A	Out of Frame OH Gasket Set	
				CTPC9057B	Inframe OH Set	
				CTPC9057C	Cylinder Head Repl. Gasket Set	
THY	THY01-UP	223-0551, 237-2707, 261-4290, 261-4291, 261-4294, 261-4295, 261-4296, 261-4297, 261-4530, 261-4531, 261-4534, 261-4535, 261-4536, 261-4537, 279-9549, 282-3823, 282-3824, 282-3825, 282-3826, 282-3827, 282-3828, 282-3829, 282-3830, 301-5768, 301-5769 136-0772, 136-0774, 136-0778, 136-0780, 136-0781, 136-9643, 136-9668, 136-9669, 137-1490, 137-1514, (CONT)	D6R SERIES III, D6T TRACK-TYPE TRACTOR	Turbocharged	CTPC9004A	Out of Frame OH Gasket Set
					CTPC9004B	Inframe OH Set
					CTPC9004C	Cylinder Head Repl. Gasket Set

Prefix	Serial No.	Arrangement	Application	Comments	Part Number	Description
THY	THY01-UP	137-1524, 137-1527, 137-1528, 137-1534, 137-1535, 137-1536, 136-9654, 136-9655, 136-9665, 136-9666, 136-9649	D6R SERIES III, D6T TRACK-TYPE TRACTOR	Turbocharged	CTPC9004A	Out of Frame OH Gasket Set
					CTPC9004B	Inframe OH Set
					CTPC9004C	Cylinder Head Repl. Gasket Set
THY	THY01-UP	261-4290	D6R SERIES III TRACK-TYPE TRACTOR XL, XW, D6R SERIES III TRACK-TYPE TRACTOR STD, XL, D6R SERIES III TRACK-TYPE TRACTOR XL PAT, LGP	Turbocharged Single Head	CTPC9039C	Cylinder Head Repl. Gasket Set
THY	THY01-UP	261-4291, 261-4294, 261-4295, 261-4297, 287-7574	D6R SERIES III TRACK-TYPE TRACTOR XL, XW D6R SERIES III TRACK-TYPE TRACTOR STD, XL, D6R SERIES III TRACK-TYPE TRACTOR XL PAT, LGP	Turbocharged Single Head	CTPC9040C	Cylinder Head Repl. Gasket Set
TXD	TXD01-UP	387-8581, 387-8582	D6R STD TRACK- TYPE TRACTOR, D6R XL TRACK TYPE TRACTOR	Turbocharged Single Head	CTPC9057A	Out of Frame OH Gasket Set
					CTPC9057B	Inframe OH Set
					CTPC9057C	Cylinder Head Repl. Gasket Set
X9Y	X9Y01-UP	311-3543, 311-3544	C9 MARINE	Turbocharged Single Head	CTPC9093A	Out of Frame OH Gasket Set
					CTPC9093B	Inframe OH Set
					CTPC9093C	Cylinder Head Repl. Gasket Set

## C9.3

Prefix	Serial No.	Arrangement	Application	Comments	Part Number	Description
B9E	B9E01-UP	225-5619	160M	Turbocharged Single Head	CTPC9115A	Out of Frame OH Gasket Set
					CTPC9115B	Inframe OH Set
					CTPC9115C	Cylinder Head Repl. Gasket Set

Prefix	Serial No.	Arrangement	Application	Comments	Part Number	Description
B9E	B9E01-UP	278-9731	160M	Turbocharged Single Head	CTPC9116A	Out of Frame OH Gasket Set
					CTPC9116B	Inframe OH Set
					CTPC9116C	Cylinder Head Repl. Gasket Set
B9G	B9G01-UP	231-0878	140M, 160M	Turbocharged Single Head	CTPC9112A	Out of Frame OH Gasket Set
					CTPC9112B	Inframe OH Set
					CTPC9112C	Cylinder Head Repl. Gasket Set
	B9G01-UP	387-8570	140M, 160M	Turbocharged Single Head	CTPC9114A	Out of Frame OH Gasket Set
					CTPC9114B	Inframe OH Set
					CTPC9114C	Cylinder Head Repl. Gasket Set
KHX	KHX00238-UP	231-0878	140M, 160M	Turbocharged Single Head	CTPC9112A	Out of Frame OH Gasket Set
					CTPC9112B	Inframe OH Set
					CTPC9112C	Cylinder Head Repl. Gasket Set
MME	MME01-UP	365-4046, 365-4047	966K WHEEL LOADER, 972K WHEEL LOADER	Turbocharged Single Head	CTPC9094A	Out of Frame OH Gasket Set
					CTPC9094B	Inframe OH Set
					CTPC9094C	Cylinder Head Repl. Gasket Set
SYE	SYE01-UP	516-1637	D6T	Turbocharged Single Head	CTPC9095A	Out of Frame OH Gasket Set
					CTPC9095B	Inframe OH Set
					CTPC9095C	Cylinder Head Repl. Gasket Set
	SYE01-UP	381-6486	C9.3	Turbocharged Single Head	CTPC9096A	Out of Frame OH Gasket Set
					CTPC9096B	Inframe OH Set
					CTPC9096C	Cylinder Head Repl. Gasket Set
	SYE01-UP	398-6913, 416-8790	D6T	Turbocharged Single Head	CTPC9097A	Out of Frame OH Gasket Set
					CTPC9097B	Inframe OH Set
					CTPC9097C	Cylinder Head Repl. Gasket Set
	SYE01-UP	398-6914	C9.3, D7E	Turbocharged Single Head	CTPC9098A	Out of Frame OH Gasket Set
					CTPC9098B	Inframe OH Set
					CTPC9098C	Cylinder Head Repl. Gasket Set
	SYE01-UP	485-9800, 516-4820	C9.3	Turbocharged Single Head	CTPC9099A	Out of Frame OH Gasket Set
					CTPC9099B	Inframe OH Set
					CTPC9099C	Cylinder Head Repl. Gasket Set
SYE01-UP	486-4643, 486-4637	C9.3	Turbocharged Single Head	CTPC9100A	Out of Frame OH Gasket Set	
				CTPC9100B	Inframe OH Set	
				CTPC9100C	Cylinder Head Repl. Gasket Set	
SYE	SYE01-UP	373-3840, 516-1635, 516-4775, 516-9592	C9.3, D6T, D7E	Turbocharged Single Head	CTPC9101A	Out of Frame OH Gasket Set
					CTPC9101B	Inframe OH Set
					CTPC9101C	Cylinder Head Repl. Gasket Set
	SYE01-UP	516-9591	C9.3	Turbocharged Single Head	CTPC9102A	Out of Frame OH Gasket Set
				CTPC9102B	Inframe OH Set	
				CTPC9102C	Cylinder Head Repl. Gasket Set	

Prefix	Serial No.	Arrangement	Application	Comments	Part Number	Description
SYE	SYE01-UP	516-9594, 516-9595, 516-9596	C9.3	Turbocharged Single Head	CTPC9103A	Out of Frame OH Gasket Set
					CTPC9103B	Inframe OH Set
					CTPC9103C	Cylinder Head Repl. Gasket Set
	SYE01-UP	373-3776, 373-3811, 381-6488, 382-4675, 382-4676	12M, 140M, 160M	Turbocharged Single Head	CTPC9104A	Out of Frame OH Gasket Set
					CTPC9104B	Inframe OH Set
					CTPC9104C	Cylinder Head Repl. Gasket Set
	SYE01-UP	486-4637, 486-4643	12M, 160M 160M	Turbocharged Single Head	CTPC9105A	Out of Frame OH Gasket Set
					CTPC9105B	Inframe OH Set
					CTPC9105C	Cylinder Head Repl. Gasket Set
	SYE01-UP	516-9591	12M	Turbocharged Single Head	CTPC9106A	Out of Frame OH Gasket Set
					CTPC9106B	Inframe OH Set
					CTPC9106C	Cylinder Head Repl. Gasket Set
	SYE01-UP	516-9592	140M	Turbocharged Single Head	CTPC9107A	Out of Frame OH Gasket Set
					CTPC9107B	Inframe OH Set
					CTPC9107C	Cylinder Head Repl. Gasket Set
SYE01-UP	381-6486	160M	Turbocharged Single Head	CTPC9108A	Out of Frame OH Gasket Set	
				CTPC9108B	Inframe OH Set	
				CTPC9108C	Cylinder Head Repl. Gasket Set	
SYE01-UP	373-3834, 485-9800, 516-4820	336F, 340F	Turbocharged Single Head	CTPC9109A	Out of Frame OH Gasket Set	
				CTPC9109B	Inframe OH Set	
				CTPC9109C	Cylinder Head Repl. Gasket Set	
SYE01-UP	373-3847	725C	Turbocharged Single Head	CTPC9110A	Out of Frame OH Gasket Set	
				CTPC9110B	Inframe OH Set	
				CTPC9110C	Cylinder Head Repl. Gasket Set	
SYE01-UP	373-3745	966M	Turbocharged Single Head	CTPC9111A	Out of Frame OH Gasket Set	
				CTPC9111B	Inframe OH Set	
				CTPC9111C	Cylinder Head Repl. Gasket Set	
THX	THX01-UP	225-5619	160M	Turbocharged Single Head	CTPC9115A	Out of Frame OH Gasket Set
					CTPC9115B	Inframe OH Set
					CTPC9115C	Cylinder Head Repl. Gasket Set
	THX01-UP	278-9731	160M	Turbocharged Single Head	CTPC9116A	Out of Frame OH Gasket Set
					CTPC9116B	Inframe OH Set
					CTPC9116C	Cylinder Head Repl. Gasket Set
THX01-UP	278-9731, 351-0371	140M, 160M	Turbocharged Single Head	CTPC9113A	Out of Frame OH Gasket Set	
				CTPC9113B	Inframe OH Set	
				CTPC9113C	Cylinder Head Repl. Gasket Set	
TXD	TXD01-UP	387-8570	140M, 160M	Turbocharged Single Head	CTPC9114A	Out of Frame OH Gasket Set
					CTPC9114B	Inframe OH Set
					CTPC9114C	Cylinder Head Repl. Gasket Set

Prefix	Serial No.	Arrangement	Application	Comments	Part Number	Description
1WZ	1WZ01-UP	191-5391, 192-7714, 192-7715, 197-8328, 230-8874, 235-9707, 246-0664, 246-0666, 271-1617	INDUSTRIAL, TRUCK ENGINE	Turbocharged, Single Head	CTPC10001A	Out of Frame OH Gasket Set
					CTPC10001B	Inframe OH Set
					CTPC10001C	Cylinder Head Repl. Gasket Set
2PN	2PN01-UP	129-3597, 129-3598, 129-3607, 129-3608, 129-3609, 129-3614, 129-3619, 129-9721, 132-4817, 132-6068, 132-6069, 132-6070, 133-1049, 133-1051, 133-1054, 133-4185, 133-4189, 133-7677, 133-7702, 133-7704, 133-7728, 133-7757, 133-7797, 133-7798, 134-1673, 134-4849, 134-4866, 134-4875, 134-4877, 134-4878, 134-4886, 134-4914, 134-4937, 134-4950, 134-4951, 134-4952, 134-4984, 134-4985, 134-4988, 134-4995, 134-4996, 134-4999, 135-0897, 135-0898, 135-0906, 135-0924, 135-0928, 135-0930, 135-0932, 135-0936, 135-0944, 135-0953, 135-0982, 135-0983, 135-0988, 135-0990, 135-0991, 135-0992, 135-0993, 135-0994, 135-0995, 135-0997, 135-0998, 135-0999, 135-1000, 135-4760, 135-4766, 135-4768, 135-4795, 35-4796, 135-4801, 135-4816, 135-4834, 135-4837, 135-4838, 135-4839, 135-4855, 135-4858, 135-4860, 135-4861, 135-4862, 135-4863, 135-4883, 135-4884, 135-4886, 136-0633, 136-0634, 136-0639, 136-0644, 136-0661, 136-0662, 136-0675, 136-0680, 136-0682, 136-0688, 136-0697, 136-0718, 136-0754, 136-0755, 136-0768, 136-0770, 136-0771, 37-1539, (CONT)	TRUCK ENGINE	Turbocharged, Single Head	CTPC10002A	Out of Frame OH Gasket Set
					CTPC10002B	Inframe OH Set
					CTPC10002C	Cylinder Head Repl. Gasket Set

Prefix	Serial No.	Arrangement	Application	Comments	Part Number	Description
2PN	2PN01-UP	137-1546, 137-5327, 137-5336, 137-5337, 137-5340, 137-5341, 137-5342, 137-5343, 137-5355, 137-5373, 137-5384, 137-5385, 137-5409, 137-5410, 137-5411, 137-5412, 1137-5417, 137-5425, 137-5426, 137-5437, 137-5438, 137-5482, 137-5498, 138-5947, 138-5949, 138-5950, 138-5951, 138-5952, 138-5960, 138-5962, 138-5966, 138-5968, 138-5969, 138-5972, 138-5981, 138-5991, 138-5992, 138-5998, 138-6002, 138-6033, 138-6041, 138-6042, 139-3438, 139-3442, 139-9674, 139-9720, 141-4252, 145-1948, 145-2192	TRUCK ENGINE	Turbocharged, Single Head	CTPC10002A	Out of Frame OH Gasket Set
					CTPC10002B	Inframe OH Set
					CTPC10002C	Cylinder Head Repl. Gasket Set
2PN	2PN01106-2PN01107	133-4103	TRUCK ENGINE	Turbocharged, Single Head	CTPC10003A	Out of Frame OH Gasket Set
					CTPC10003B	Inframe OH Set
					CTPC10003C	Cylinder Head Repl. Gasket Set
2PN	2PN01937-2PN03824, 2PN02005-2PN07341, 2PN02523-2PN02546, 2PN02706-2PN07341, 2PN02998-2PN07341, 2PN03414-2PN07341, 2PN05528-2PN07341, 2PN06259-2PN07341, 2PN06446-2PN07341, 2PN07341-UP	138-6056, 139-3418, 139-9919, 139-9919, 142-0585, 142-0697, 143-1198, 143-9973, 146-8752, 149-9058, 152-3216, 152-9990	TRUCK ENGINE	Turbocharged, Single Head	CTPC10004A	Out of Frame OH Gasket Set
					CTPC10004B	Inframe OH Set
					CTPC10004C	Cylinder Head Repl. Gasket Set
2PN	2PN01937-UP	138-6066, 139-3442, 142-0572, 144-0018, 144-5882, 145-2035, 151-2241, 153-5833,	TRUCK ENGINE	Turbocharged, Single Head	CTPC10005A	Out of Frame OH Gasket Set
					CTPC10005B	Inframe OH Set
					CTPC10005C	Cylinder Head Repl. Gasket Set

Prefix	Serial No.	Arrangement	Application	Comments	Part Number	Description
2PN	2PN01-UP	139-9700, 143-1112, 144-0080, 144-5792, 146-8658, 147-6028, 148-8726,	TRUCK ENGINE	Turbocharged, Single Head	CTPC10006A	Out of Frame OH Gasket Set
					CTPC10006B	Inframe OH Set
					CTPC10006C	Cylinder Head Repl. Gasket Set
	2PN02523-2PN07341	139-9963	TRUCK ENGINE	Turbocharged, Single Head	CTPC10007A	Out of Frame OH Gasket Set
					CTPC10007B	Inframe OH Set
					CTPC10007C	Cylinder Head Repl. Gasket Set
	2PN07341-UP	141-4239	TRUCK ENGINE	Turbocharged, Single Head	CTPC10008A	Out of Frame OH Gasket Set
					CTPC10008B	Inframe OH Set
					CTPC10008C	Cylinder Head Repl. Gasket Set
	2PN02522-2PN07341	141-4250	TRUCK ENGINE	Turbocharged, Single Head	CTPC10009A	Out of Frame OH Gasket Set
					CTPC10009B	Inframe OH Set
					CTPC10009C	Cylinder Head Repl. Gasket Set
	2PN01-UP	142-0615, 143-1194	TRUCK ENGINE	Turbocharged, Single Head	CTPC10010A	Out of Frame OH Gasket Set
					CTPC10010B	Inframe OH Set
					CTPC10010C	Cylinder Head Repl. Gasket Set
	2PN03141-2PN03141	143-1035	TRUCK ENGINE	Turbocharged, Single Head	CTPC10011A	Out of Frame OH Gasket Set
					CTPC10011B	Inframe OH Set
					CTPC10011C	Cylinder Head Repl. Gasket Set
	2PN03224-2PN03408	143-1113	TRUCK ENGINE	Turbocharged, Single Head	CTPC10012A	Out of Frame OH Gasket Set
					CTPC10012B	Inframe OH Set
					CTPC10012C	Cylinder Head Repl. Gasket Set
	2PN01-UP	143-1127	TRUCK ENGINE	Turbocharged, Single Head	CTPC10013A	Out of Frame OH Gasket Set
					CTPC10013B	Inframe OH Set
					CTPC10013C	Cylinder Head Repl. Gasket Set
	2PN03224-2PN07341	143-1160, 144-5795	TRUCK ENGINE	Turbocharged, Single Head	CTPC10014A	Out of Frame OH Gasket Set
					CTPC10014B	Inframe OH Set
					CTPC10014C	Cylinder Head Repl. Gasket Set
	2PN03414-UP	143-1197	TRUCK ENGINE	Turbocharged, Single Head	CTPC10015A	Out of Frame OH Gasket Set
					CTPC10015B	Inframe OH Set
					CTPC10015C	Cylinder Head Repl. Gasket Set
	2PN03593-2PN07341	144-5789	TRUCK ENGINE	Turbocharged, Single Head	CTPC10016A	Out of Frame OH Gasket Set
					CTPC10016B	Inframe OH Set
					CTPC10016C	Cylinder Head Repl. Gasket Set
	2PN03626-2PN07341	144-5870	TRUCK ENGINE	Turbocharged, Single Head	CTPC10017A	Out of Frame OH Gasket Set
					CTPC10017B	Inframe OH Set
					CTPC10017C	Cylinder Head Repl. Gasket Set

Prefix	Serial No.	Arrangement	Application	Comments	Part Number	Description
3CS	2PN01-UP	147-7489	TRUCK ENGINE	Turbocharged, Single Head	CTPC10018A	Out of Frame OH Gasket Set
					CTPC10018B	Inframe OH Set
					CTPC10018C	Cylinder Head Repl. Gasket Set
	2PN01-UP	147-7493	TRUCK ENGINE	Turbocharged, Single Head	CTPC10019A	Out of Frame OH Gasket Set
					CTPC10019B	Inframe OH Set
					CTPC10019C	Cylinder Head Repl. Gasket Set
	2PN06047-2PN07341	151-2288	TRUCK ENGINE	Turbocharged, Single Head	CTPC10020A	Out of Frame OH Gasket Set
					CTPC10020B	Inframe OH Set
					CTPC10020C	Cylinder Head Repl. Gasket Set
	3CS01-UP	166-9888	TRUCK ENGINE	Turbocharged, Single Head	CTPC10021A	Out of Frame OH Gasket Set
					CTPC10021B	Inframe OH Set
					CTPC10021C	Cylinder Head Repl. Gasket Set
3CS01-UP	166-9891, 166-9892, 169-2346, 169-2347, 169-2349, 169-2350, 169-2352, 169-2353, 169-2354, 169-2355, 169-2378, 169-2379, 169-2381, 169-2382, 169-2395, 169-2400, 169-5162, 169-9206, 169-9215, , 169-9293, 169-9314, 169-9342, 169-9351, 169-9376, 169-9419, 169-9420, 169-9484, 169-9485, 169-9488, 170-7753, 171-4936, 171-4938, 171-4967, 171-4971, 171-4981, 171-5009, 171-5014, 171-5015, 171-5018, 171-5019, 171-5027, 171-5029, 171-5050, 171-5053, 171-5054, 171-5068, 171-5081, 171-5115, 171-5129, 171-5160, 171-5163, 171-8212, 171-8260, 171-8311, 171-8332, 171-8334, 171-8433, 171-8447, 171-8503, 171-8517, 172-8947, 172-8988, 172-9124, 173-6283, 173-6467, 174-2666, 175-1908, 175-1914, 175-1936, 175-9162, 175-9375, 175-9382, 178-1338, 178-1386, 178-1490, 178-1491, 179-1027, 179-1078, 179-1080, 186-1825,	TRUCK ENGINE	Turbocharged, Single Head	CTPC10022A	Out of Frame OH Gasket Set	
				CTPC10022B	Inframe OH Set	
				CTPC10022C	Cylinder Head Repl. Gasket Set	

Prefix	Serial No.	Arrangement	Application	Comments	Part Number	Description
3CS	3CS01-UP	169-2344, 169-2363, 169-2373	TRUCK ENGINE	Turbocharged, Single Head	CTPC10023A	Out of Frame OH Gasket Set
					CTPC10023B	Inframe OH Set
					CTPC10023C	Cylinder Head Repl. Gasket Set
	3CS05801-3CS17020	169-2358	TRUCK ENGINE	Turbocharged, Single Head	CTPC10024A	Out of Frame OH Gasket Set
					CTPC10024B	Inframe OH Set
					CTPC10024C	Cylinder Head Repl. Gasket Set
	3CS01-UP	169-9483, 171-5032, 171-5055	TRUCK ENGINE	Turbocharged, Single Head	CTPC10025A	Out of Frame OH Gasket Set
					CTPC10025B	Inframe OH Set
					CTPC10025C	Cylinder Head Repl. Gasket Set
	3CS01-UP	171-4961	TRUCK ENGINE	Turbocharged, Single Head	CTPC10026A	Out of Frame OH Gasket Set
					CTPC10026B	Inframe OH Set
					CTPC10026C	Cylinder Head Repl. Gasket Set
	3CS01-UP	171-4962, 171-4986, 174-2663, 175-1883	TRUCK ENGINE	Turbocharged, Single Head	CTPC10027A	Out of Frame OH Gasket Set
					CTPC10027B	Inframe OH Set
					CTPC10027C	Cylinder Head Repl. Gasket Set
	3CS01-UP	171-5017	TRUCK ENGINE	Turbocharged, Single Head	CTPC10028A	Out of Frame OH Gasket Set
					CTPC10028B	Inframe OH Set
					CTPC10028C	Cylinder Head Repl. Gasket Set
	3CS01-UP	171-5030	TRUCK ENGINE	Turbocharged, Single Head	CTPC10029A	Out of Frame OH Gasket Set
					CTPC10029B	Inframe OH Set
					CTPC10029C	Cylinder Head Repl. Gasket Set
	3CS01-UP	171-5051	TRUCK ENGINE	Turbocharged, Single Head	CTPC10030A	Out of Frame OH Gasket Set
					CTPC10030B	Inframe OH Set
					CTPC10030C	Cylinder Head Repl. Gasket Set
	3CS01-UP	171-5130	TRUCK ENGINE	Turbocharged, Single Head	CTPC10031A	Out of Frame OH Gasket Set
					CTPC10031B	Inframe OH Set
					CTPC10031C	Cylinder Head Repl. Gasket Set
	3CS01-UP	177-1203, 177-1205, 178-1547, 179-0920, 179-1073, 179-1150, 179-1173, 179-3791, 179-3939, 179-4087, 180-1756, 180-1817, 180-1863, 185-5051, 187-0304, 187-7872, 187-7945, 187-7946, 187-7969, 188-6806, 189-9513, 189-9527, 191-4073, 191-4179, (CONT)	TRUCK ENGINE	Turbocharged, Single Head	CTPC10032A	Out of Frame OH Gasket Set
					CTPC10032B	Inframe OH Set
					CTPC10032C	Cylinder Head Repl. Gasket Set

Prefix	Serial No.	Arrangement	Application	Comments	Part Number	Description	
3CS	3CS01-UP	191-4181, 191-4182, 191-4267, 191-4391, 192-9377, 192-9495, 192-9537, 192-9661, 197-1150, 198-3550, 201-6365, 202-9298, 202-9569, 206-8221,	TRUCK ENGINE	Turbocharged, Single Head	CTPC10032A	Out of Frame OH Gasket Set	
					CTPC10032B	Inframe OH Set	
					CTPC10032C	Cylinder Head Repl. Gasket Set	
	3CS01-UP	179-1009, 187-0212	TRUCK ENGINE	Turbocharged, Single Head	CTPC10033A	Out of Frame OH Gasket Set	
					CTPC10033B	Inframe OH Set	
					CTPC10033C	Cylinder Head Repl. Gasket Set	
	3CS01-UP	179-4088, 184-2878, 186-1960, 187-0278, 188-6967, 192-9476	TRUCK ENGINE	Turbocharged, Single Head	CTPC10034A	Out of Frame OH Gasket Set	
					CTPC10034B	Inframe OH Set	
					CTPC10034C	Cylinder Head Repl. Gasket Set	
	3CS01-UP	197-1149, 235-9460	TRUCK ENGINE	Turbocharged, Single Head	CTPC10035A	Out of Frame OH Gasket Set	
					CTPC10035B	Inframe OH Set	
					CTPC10035C	Cylinder Head Repl. Gasket Set	
	3CS01-UP	218-9531	TRUCK ENGINE	Turbocharged, Single Head	CTPC10036A	Out of Frame OH Gasket Set	
					CTPC10036B	Inframe OH Set	
					CTPC10036C	Cylinder Head Repl. Gasket Set	
	3CS01-UP	219-9382, 219-9419, 219-9427	TRUCK ENGINE	Turbocharged, Single Head	CTPC10037A	Out of Frame OH Gasket Set	
					CTPC10037B	Inframe OH Set	
					CTPC10037C	Cylinder Head Repl. Gasket Set	
	3CS01-UP	232-5782, 233-8875, 239-4529	TRUCK ENGINE	Turbocharged, Single Head	CTPC10038A	Out of Frame OH Gasket Set	
					CTPC10038B	Inframe OH Set	
					CTPC10038C	Cylinder Head Repl. Gasket Set	
	3CS01-UP	234-8600	TRUCK ENGINE	Turbocharged, Single Head	CTPC10039A	Out of Frame OH Gasket Set	
					CTPC10039B	Inframe OH Set	
					CTPC10039C	Cylinder Head Repl. Gasket Set	
	3CS01-UP	277-2761	TRUCK ENGINE	Turbocharged, Single Head	CTPC10040A	Out of Frame OH Gasket Set	
					CTPC10040B	Inframe OH Set	
					CTPC10040C	Cylinder Head Repl. Gasket Set	
	BCX	BCX01-UP	191-5391, 192-7714, 192-7715, 197-8328, 230-8874, 235-9707, 246-0664, 246-0666, 271-1617	INDUSTRIAL, TRUCK ENGINE	Turbocharged, Single Head	CTPC10001A	Out of Frame OH Gasket Set
						CTPC10001B	Inframe OH Set
						CTPC10001C	Cylinder Head Repl. Gasket Set
Z2B	Z2B01-UP	191-5391, 192-7714, 192-7715, 197-8328, 230-8874, 235-9707, 246-0664, 246-0666, 271-1617	INDUSTRIAL, TRUCK ENGINE	Turbocharged, Single Head	CTPC10001A	Out of Frame OH Gasket Set	
					CTPC10001B	Inframe OH Set	
					CTPC10001C	Cylinder Head Repl. Gasket Set	



Prefix	Serial No.	Arrangement	Application	Comments	Part Number	Description
B5K	B5K01-UP	234-7845, 225-6468, 226-9770, 227-8353, 228-4410, 234-7848, 234-7850, 236-4572, 236-4572, 236-4577, 236-4580, 257-9491, 263-6681, 286-5803, 291-6601, 292-9282, 292-9283, 308-2736, 310-7920	966H, 725, 730, 14M, RM-300	Turbocharged, Single Head	CTPC11001A	Out of Frame OH Gasket Set
					CTPC11001B	Inframe OH Set
					CTPC11001C	Cylinder Head Repl. Gasket Set
GLS	GLS01-UP	234-7845, 225-6468, 226-9770, 227-8353, 228-4410, 234-7848, 234-7850, 236-4572, 236-4572, 236-4577, 236-4580, 257-9491, 263-6681, 286-5803, 291-6601, 292-9282, 292-9283, 308-2736, 310-7920	966H, 725, 730, 14M, RM-300	Turbocharged, Single Head	CTPC11001A	Out of Frame OH Gasket Set
					CTPC11001B	Inframe OH Set
					CTPC11001C	Cylinder Head Repl. Gasket Set
KCA	KCA01-UP	246-9426, 246-9502, 246-9543, 246-9544, 246-9559, 246-9574, 246-9763, 248-4462, 248-4498, 248-4620, 248-4678, 248-4680, 248-4681, 249-8191, 249-8365, 250-7321, 250-7332, 250-7364, 250-7426, 250-7433, 250-7440, 250-7480, 250-7482, 251-8854, 251-8855, 253-5824, 254-9447, 254-9581, 256-8949, 256-9089, 256-9265, 256-9266, 258-9134, 258-9136, 258-9137, 258-9138, 258-9257, 258-9258, 258-9287, 260-2682, 260-2684, 260-2702, 260-2752, 260-2777, 260-2788, 260-2825, 261-5316, 261-5347, 261-5465, 261-5489, 264-0736, 264-0826, 264-0871, 264-0872, 264-0907, 264-0937, 264-0943, 264-5647, 266-1804, 267-5920, 267-5937, 267-5939, 269-4337, 271-1128, 271-1257, 273-4482, 275-3132, 277-2907, (CONT)	C11 ON HIGHWAY TRUCK	Turbocharged, Single Head	CTPC11008A	Out of Frame OH Gasket Set
					CTPC11008B	Inframe OH Set
					CTPC11008C	Cylinder Head Repl. Gasket Set
					CTPC11009A	Out of Frame OH Gasket Set
					CTPC11009B	Inframe OH Set
					CTPC11009C	Cylinder Head Repl. Gasket Set
					CTPC11010A	Out of Frame OH Gasket Set
					CTPC11010B	Inframe OH Set
					CTPC11010C	Cylinder Head Repl. Gasket Set
					CTPC11011A	Out of Frame OH Gasket Set
					CTPC11011B	Inframe OH Set
					CTPC11011C	Cylinder Head Repl. Gasket Set
CTPC11012A	Out of Frame OH Gasket Set					
CTPC11012B	Inframe OH Set					
CTPC11012C	Cylinder Head Repl. Gasket Set					
CTPC11013A	Out of Frame OH Gasket Set					
CTPC11013B	Inframe OH Set					
CTPC11013C	Cylinder Head Repl. Gasket Set					
CTPC11007A	Out of Frame OH Gasket Set					
CTPC11007B	Inframe OH Set					
CTPC11007C	Cylinder Head Repl. Gasket Set					
RSX	RSX01-UP	226-9770	14M MOTOR GRADER	Turbocharged, Single Head	CTPC11002A	Out of Frame OH Gasket Set
					CTPC11002B	Inframe OH Set
					CTPC11002C	Cylinder Head Repl. Gasket Set
	RSX01-UP	227-8353	730 ARTICULATED & EJECTOR TRUCK	Turbocharged, Single Head	CTPC11003A	Out of Frame OH Gasket Set
					CTPC11003B	Inframe OH Set
					CTPC11003C	Cylinder Head Repl. Gasket Set
	RSX01-UP	234-7848, 291-6601	966H WHEEL LOADER	Turbocharged, Single Head	CTPC11004A	Out of Frame OH Gasket Set
					CTPC11004B	Inframe OH Set
					CTPC11004C	Cylinder Head Repl. Gasket Set
	RSX01-UP	234-7850	966H WHEEL LOADER	Turbocharged, Single Head	CTPC11005A	Out of Frame OH Gasket Set
					CTPC11005B	Inframe OH Set
					CTPC11005C	Cylinder Head Repl. Gasket Set

Prefix	Serial No.	Arrangement	Application	Comments	Part Number	Description
KCA	KCA01-UP	279-1646, 279-1863, 281-9745, 281-9945, 289-1646, 289-1653, 289-1955, 289-1983, 289-1984, 289-1986, 292-6147, 292-6206, 292-6207, 292-6241, 292-6246, 293-2490, 294-5938, 295-3577, 297-2051, 297-2152	C11 ON HIGHWAY TRUCK	Turbocharged, Single Head	CTPC11008A	Out of Frame OH Gasket Set
					CTPC11008B	Inframe OH Set
					CTPC11008C	Cylinder Head Repl. Gasket Set
	KCA01-UP	246-9672	C11 ON HIGHWAY TRUCK	Turbocharged, Single Head	CTPC11009A	Out of Frame OH Gasket Set
					CTPC11009B	Inframe OH Set
					CTPC11009C	Cylinder Head Repl. Gasket Set
	KCA01-UP	249-8328	C11 ON HIGHWAY TRUCK	Turbocharged, Single Head	CTPC11010A	Out of Frame OH Gasket Set
					CTPC11010B	Inframe OH Set
					CTPC11010C	Cylinder Head Repl. Gasket Set
	KCA01-UP	250-7235, 250-7427	C11 ON HIGHWAY TRUCK	Turbocharged, Single Head	CTPC11011A	Out of Frame OH Gasket Set
					CTPC11011B	Inframe OH Set
					CTPC11011C	Cylinder Head Repl. Gasket Set
KCA01-UP	250-7307, 264-0813, 281-9661, 297-2337	C11 ON HIGHWAY TRUCK	Turbocharged, Single Head	CTPC11012A	Out of Frame OH Gasket Set	
				CTPC11012B	Inframe OH Set	
				CTPC11012C	Cylinder Head Repl. Gasket Set	
KCA01-UP	250-7366	C11 ON HIGHWAY TRUCK	Turbocharged, Single Head	CTPC11013A	Out of Frame OH Gasket Set	
				CTPC11013B	Inframe OH Set	
				CTPC11013C	Cylinder Head Repl. Gasket Set	
KCA01-UP	246-9420	C11 ON HIGHWAY TRUCK	Turbocharged, Single Head	CTPC11007A	Out of Frame OH Gasket Set	
				CTPC11007B	Inframe OH Set	
				CTPC11007C	Cylinder Head Repl. Gasket Set	
RSX	RSX01-UP	226-9770	14M MOTOR GRADER	Turbocharged, Single Head	CTPC11002A	Out of Frame OH Gasket Set
					CTPC11002B	Inframe OH Set
					CTPC11002C	Cylinder Head Repl. Gasket Set
	RSX01-UP	227-8353	730 ARTICULATED & EJECTOR TRUCK	Turbocharged, Single Head	CTPC11003A	Out of Frame OH Gasket Set
					CTPC11003B	Inframe OH Set
					CTPC11003C	Cylinder Head Repl. Gasket Set
	RSX01-UP	234-7848, 291-6601	966H WHEEL LOADER	Turbocharged, Single Head	CTPC11004A	Out of Frame OH Gasket Set
					CTPC11004B	Inframe OH Set
					CTPC11004C	Cylinder Head Repl. Gasket Set
	RSX01-UP	234-7850	966H WHEEL LOADER	Turbocharged, Single Head	CTPC11005A	Out of Frame OH Gasket Set
					CTPC11005B	Inframe OH Set
					CTPC11005C	Cylinder Head Repl. Gasket Set

Prefix	Serial No.	Arrangement	Application	Comments	Part Number	Description
RSX	RSX01-UP	349-4468	966H WHEEL LOADER	Turbocharged, Single Head	CTPC11006A	Out of Frame OH Gasket Set
					CTPC11006B	Inframe OH Set
					CTPC11006C	Cylinder Head Repl. Gasket Set
TXE	TXE01-UP	292-9283	730	Turbocharged, Single Head	CTPC11014A	Out of Frame OH Gasket Set
					CTPC11014B	Inframe OH Set
					CTPC11014C	Cylinder Head Repl. Gasket Set
	TXE01-UP	226-9770	14M MOTOR GRADER	Turbocharged, Single Head	CTPC11002A	Out of Frame OH Gasket Set
					CTPC11002B	Inframe OH Set
					CTPC11002C	Cylinder Head Repl. Gasket Set
	TXE01-UP	349-4468	966H WHEEL LOADER	Turbocharged, Single Head	CTPC11006A	Out of Frame OH Gasket Set
					CTPC11006B	Inframe OH Set
					CTPC11006C	Cylinder Head Repl. Gasket Set

## C12

Prefix	Serial No.	Arrangement	Application	Comments	Part Number	Description
2KS	2KS01-UP	1998694	TRUCK	Turbocharged, Single Head	CTPC12002A	Out of Frame OH Gasket Set
					CTPC12002B	Inframe OH Set
					CTPC12002C	Cylinder Head Repl. Gasket Set
	2KS00304-2KS00343, 2KS00001-2KS00321, 2KS00326-2KS00349, 2KS00001-2KS00327	135-4845, 139-3490, 139-9834, 141-4233, 141-4236	TRUCK	Turbocharged, Single Head	CTPC12020A	Out of Frame OH Gasket Set
					CTPC12020B	Inframe OH Set
					CTPC12020C	Cylinder Head Repl. Gasket Set
	2KS01-UP	164-8804, 169-2286, 166-9518, 169-2293, 166-9522, 169-2294, 166-9686, 169-2300, 166-9766, 169-2302, 166-9767, 169-2305, 169-2279, 169-2306, 169-2283, 169-2311, 169-2312, 169-2321, 169-2333, 169-2429, 169-2431, 169-2437, 169-2438, 169-2441, 169-2443, 169-2487, 169-2489, 169-5140, 169-5168, 169-5172, 169-5189, 169-5190, 169-5193, 169-5199, 169-5201, 169-5210, 169-9205, 169-9209, 169-9211, 169-9217, 169-9228, 169-9229, 169-9238, (CONT)	TRUCK	Turbocharged, Single Head	CTPC12021A	Out of Frame OH Gasket Set
					CTPC12021B	Inframe OH Set
					CTPC12021C	Cylinder Head Repl. Gasket Set

Prefix	Serial No.	Arrangement	Application	Comments	Part Number	Description
2KS	2KS01-UP	169-9239, 169-9295, 169-9307, 169-9415, 169-9465, 169-9472, 170-7885, 170-7915, 170-7924, 170-7943, 170-7949, 170-7950, 171-4988, 171-5006, 171-5044, 171-5069, 171-5080, 171-5134, 171-5168, 171-8221, 171-8384, 171-8403, 171-8435, 171-8523, 179-4038, 179-4073, 180-1848	TRUCK	Turbocharged, Single Head	CTPC12021A	Out of Frame OH Gasket Set
					CTPC12021B	Inframe OH Set
					CTPC12021C	Cylinder Head Repl. Gasket Set
	2KS01-UP	166-9519, 166-9688, 169-2276, 169-2280, 169-2285, 169-2287, 169-2289, 169-2292, 169-2296, 169-5154, 169-5155, 169-5170, 169-5171, 169-5191, 169-5192, 169-5197, 169-5198, 169-5200, 169-5205, 169-5206, 169-5207, 169-9213, 169-9226, 169-9296, 169-9306, 169-9309, 169-9334, 169-9412, 169-9413, 169-9414, 169-9418, 169-9470, 169-9471, 169-9474, 170-7914, 170-7941	TRUCK	Turbocharged, Single Head	CTPC12022A	Out of Frame OH Gasket Set
					CTPC12022B	Inframe OH Set
					CTPC12022C	Cylinder Head Repl. Gasket Set
	2KS01-UP	166-9521, 166-9538, 166-9764, 169-2435, 169-2444, 169-5240, 169-9227, 169-9297, 169-9466,	TRUCK	Turbocharged, Single Head	CTPC12023A	Out of Frame OH Gasket Set
					CTPC12023B	Inframe OH Set
					CTPC12023C	Cylinder Head Repl. Gasket Set
	2KS01-UP	166-9519	TRUCK	Turbocharged, Single Head	CTPC12024A	Out of Frame OH Gasket Set
					CTPC12024B	Inframe OH Set
					CTPC12024C	Cylinder Head Repl. Gasket Set
2KS01-UP	169-2281	TRUCK	Turbocharged, Single Head	CTPC12025A	Out of Frame OH Gasket Set	
				CTPC12025B	Inframe OH Set	
				CTPC12025C	Cylinder Head Repl. Gasket Set	
2KS01-UP	169-2284	TRUCK	Turbocharged, Single Head	CTPC12026A	Out of Frame OH Gasket Set	
				CTPC12026B	Inframe OH Set	
				CTPC12026C	Cylinder Head Repl. Gasket Set	
2KS01-UP	169-2313	TRUCK	Turbocharged, Single Head	CTPC12027A	Out of Frame OH Gasket Set	
				CTPC12027B	Inframe OH Set	
				CTPC12027C	Cylinder Head Repl. Gasket Set	

Prefix	Serial No.	Arrangement	Application	Comments	Part Number	Description
2KS	2KS01-UP	169-2329, 169-9390	TRUCK	Turbocharged, Single Head	CTPC12028A	Out of Frame OH Gasket Set
					CTPC12028B	Inframe OH Set
					CTPC12028C	Cylinder Head Repl. Gasket Set
	2KS01-UP	169-9212, 169-9391, 169-9469, 170-7895	TRUCK	Turbocharged, Single Head	CTPC12029A	Out of Frame OH Gasket Set
					CTPC12029B	Inframe OH Set
					CTPC12029C	Cylinder Head Repl. Gasket Set
	2KS01-UP	169-9416, 169-9476, 169-9477, 169-9479, 169-9481, 170-7911, 172-8908, 172-9076, 172-9173, 173-6320, 173-6493, 174-2641, 175-1998, 175-9151, 175-9229, 175-9240, 175-9269, 175-9341, 177-1138, 177-1331, 178-1347, 178-1516, 179-1188, 179-3953, 180-2007, 184-2763, 184-2769, 184-2777, 184-2805, 184-2814, 185-4808, 185-4930, 185-5019, 186-1833, 186-1948, 186-1949, 187-0041, 187-0174, 189-9693, 191-4104, 191-4148, 191-4186, 191-4190, 191-4200, 191-4215, 191-4222, 191-4274, 191-4284, 191-4327, 191-4343, 191-4353, 192-9297, 192-9314, 192-9640, 195-4334, 197-1273, 198-3624, 199-8642, 199-8696, 199-8717, 202-9454, 205-2555, 205-2742, 205-2887, 212-1759, 212-9074, 212-9296, 214-2940,	TRUCK	Turbocharged, Single Head	CTPC12030A	Out of Frame OH Gasket Set
					CTPC12030B	Inframe OH Set
					CTPC12030C	Cylinder Head Repl. Gasket Set
	2KS01-UP	169-9475, 169-9495	TRUCK	Turbocharged, Single Head	CTPC12031A	Out of Frame OH Gasket Set
					CTPC12031B	Inframe OH Set
					CTPC12031C	Cylinder Head Repl. Gasket Set
	2KS01-UP	169-9478	TRUCK	Turbocharged, Single Head	CTPC12032A	Out of Frame OH Gasket Set
					CTPC12032B	Inframe OH Set
CTPC12032C					Cylinder Head Repl. Gasket Set	
2KS01-UP	169-9480, 172-8890	TRUCK	Turbocharged, Single Head	CTPC12033A	Out of Frame OH Gasket Set	
				CTPC12033B	Inframe OH Set	
				CTPC12033C	Cylinder Head Repl. Gasket Set	

Prefix	Serial No.	Arrangement	Application	Comments	Part Number	Description
2KS	2KS01-UP	169-9494	TRUCK	Turbocharged, Single Head	CTPC12034A	Out of Frame OH Gasket Set
					CTPC12034B	Inframe OH Set
					CTPC12034C	Cylinder Head Repl. Gasket Set
	2KS01-UP	169-9496	TRUCK	Turbocharged, Single Head	CTPC12035A	Out of Frame OH Gasket Set
					CTPC12035B	Inframe OH Set
					CTPC12035C	Cylinder Head Repl. Gasket Set
	2KS01-UP	170-7913	TRUCK	Turbocharged, Single Head	CTPC12036A	Out of Frame OH Gasket Set
					CTPC12036B	Inframe OH Set
					CTPC12036C	Cylinder Head Repl. Gasket Set
	2KS01-UP	170-7940	TRUCK	Turbocharged, Single Head	CTPC12037A	Out of Frame OH Gasket Set
					CTPC12037B	Inframe OH Set
					CTPC12037C	Cylinder Head Repl. Gasket Set
	2KS01-UP	172-8999, 187-0379	TRUCK	Turbocharged, Single Head	CTPC12038A	Out of Frame OH Gasket Set
					CTPC12038B	Inframe OH Set
					CTPC12038C	Cylinder Head Repl. Gasket Set
	2KS01-UP	174-2780	TRUCK	Turbocharged, Single Head	CTPC12039A	Out of Frame OH Gasket Set
					CTPC12039B	Inframe OH Set
					CTPC12039C	Cylinder Head Repl. Gasket Set
	2KS01-UP	87-0300, 187-7947, 191-4259, 192-9261, 198-3511, 198-3697, 202-9356, 202-9447, 204-2416, 205-2633, 208-7096, 212-9259, 212-9286, 214-2711, 214-2765, 214-2769, 214-2800, 214-2801, 214-2818, 214-2854, 214-2873, 214-2876, 214-2904, 215-5080, 215-5113, 215-5160, 215-5161, 215-5173, 215-5186, 215-5221, 215-5222, 215-5223, 215-5226, 215-5238, 215-5362, 215-5363, 215-5364, 215-5429, 215-5455, 215-5487, 217-1034, 217-1035, 217-1036, 217-1067, 217-1069, 217-1228, 217-1229, 217-1304, 218-9432, 218-9515, 219-9353, 220-7687, 222-9465, 222-9478, 222-9481, 222-9496, 222-9565, 222-9584, (CONT)	TRUCK	Turbocharged, Single Head	CTPC12040A	Out of Frame OH Gasket Set
					CTPC12040B	Inframe OH Set
					CTPC12040C	Cylinder Head Repl. Gasket Set

Prefix	Serial No.	Arrangement	Application	Comments	Part Number	Description
2KS	2KS01-UP	224-0395, 224-0402, 224-0403, 224-0404, 224-0420, 224-0422, 224-0424, 224-0428, 224-0432, 224-0478, 224-0480, 224-0502, 224-0504, 224-0508, 224-0530, 224-0533, 224-0542, 224-0591, 224-0657, 224-7919, 224-7968, 224-7971, 225-2049, 225-2056, 225-9897, 225-9919,	TRUCK	Turbocharged, Single Head	CTPC12040A	Out of Frame OH Gasket Set
					CTPC12040B	Inframe OH Set
					CTPC12040C	Cylinder Head Repl. Gasket Set
					CTPC12041A	Out of Frame OH Gasket Set
					CTPC12041B	Inframe OH Set
					CTPC12041C	Cylinder Head Repl. Gasket Set
					CTPC12042A	Out of Frame OH Gasket Set
					CTPC12042B	Inframe OH Set
					CTPC12042C	Cylinder Head Repl. Gasket Set
	2KS01-UP	187-7951	TRUCK	Turbocharged, Single Head	CTPC12043A	Out of Frame OH Gasket Set
	2KS01-UP	198-3543, 206-8329, 198-3739, 219-9432, 201-6381, 219-9437, 219-9439, 220-7532, 220-7533, 220-7534, 220-7554, 220-7558, 220-7562, 220-7643, 220-7683, 220-7689, 220-7712, 220-7746, 221-7431, 221-7446, 222-9589, 224-7861	TRUCK	Turbocharged, Single Head	CTPC12043B	Inframe OH Set
					CTPC12043C	Cylinder Head Repl. Gasket Set
					CTPC12044A	Out of Frame OH Gasket Set
	2KS01-UP	201-6461, 202-9374	TRUCK	Turbocharged, Single Head	CTPC12044B	Inframe OH Set
					CTPC12044C	Cylinder Head Repl. Gasket Set
					CTPC12045A	Out of Frame OH Gasket Set
	2KS01-UP	212-1813, 212-1814, 218-9537	TRUCK	Turbocharged, Single Head	CTPC12045B	Inframe OH Set
					CTPC12045C	Cylinder Head Repl. Gasket Set
					CTPC12046A	Out of Frame OH Gasket Set
	2KS01-UP	215-5225, 215-5255	TRUCK	Turbocharged, Single Head	CTPC12046B	Inframe OH Set
					CTPC12046C	Cylinder Head Repl. Gasket Set
					CTPC12047A	Out of Frame OH Gasket Set
	2KS01-UP	215-5428, 218-9497	TRUCK	Turbocharged, Single Head	CTPC12047B	Inframe OH Set
					CTPC12047C	Cylinder Head Repl. Gasket Set
					CTPC12048A	Out of Frame OH Gasket Set
	2KS01-UP	219-9435, 221-7343	TRUCK	Turbocharged, Single Head	CTPC12048B	Inframe OH Set
					CTPC12048C	Cylinder Head Repl. Gasket Set

Prefix	Serial No.	Arrangement	Application	Comments	Part Number	Description
2KS	2KS01-UP	221-7203, 221-7267, 221-7289, 222-9600, 222-9609	TRUCK	Turbocharged, Single Head	CTPC12049A	Out of Frame OH Gasket Set
					CTPC12049B	Inframe OH Set
					CTPC12049C	Cylinder Head Repl. Gasket Set
	2KS01-UP	222-9599, 224-0269, 224-0585, 233-8805, 233-9002	TRUCK	Turbocharged, Single Head	CTPC12050A	Out of Frame OH Gasket Set
					CTPC12050B	Inframe OH Set
					CTPC12050C	Cylinder Head Repl. Gasket Set
	2KS01-UP	231-5488, 231-5687, 231-5723, 233-8973, 234-8555 239-4642 264-0818, 299-8588	TRUCK	Turbocharged, Single Head	CTPC12051A	Out of Frame OH Gasket Set
					CTPC12051B	Inframe OH Set
					CTPC12051C	Cylinder Head Repl. Gasket Set
5ED	5ED01-UP	180-3195, 223-1557, 223-1559	972G	Turbocharged, Single Head	CTPC12003A	Out of Frame OH Gasket Set
					CTPC12003B	Inframe OH Set
					CTPC12003C	Cylinder Head Repl. Gasket Set
	5ED01-UP	172-6945, 172-6946	MTC84, MT835	Turbocharged, Single Head	CTPC12004A	Out of Frame OH Gasket Set
					CTPC12004B	Inframe OH Set
					CTPC12004C	Cylinder Head Repl. Gasket Set
9HP	9HP01-UP	207-7000	MARINE	Turbocharged, Single Head	CTPC12053A	Out of Frame OH Gasket Set
					CTPC12053B	Inframe OH Set
					CTPC12053C	Cylinder Head Repl. Gasket Set
9NS	9NS00372-UP	144-5809	TRUCK	Turbocharged, Single Head	CTPC12052A	Out of Frame OH Gasket Set
					CTPC12052B	Inframe OH Set
					CTPC12052C	Cylinder Head Repl. Gasket Set
BDL	BDL01-UP	203-7099, 208-2842	INDUSTRIAL	Turbocharged, Single Head	CTPC12005A	Out of Frame OH Gasket Set
					CTPC12005B	Inframe OH Set
					CTPC12005C	Cylinder Head Repl. Gasket Set
	BDL01-UP	205-2511, 206-8411, 208-7139	TRUCK	Turbocharged, Single Head	CTPC12006A	Out of Frame OH Gasket Set
					CTPC12006B	Inframe OH Set
					CTPC12006C	Cylinder Head Repl. Gasket Set
	BDL01-UP	206-8412	TRUCK	Turbocharged, Single Head	CTPC12007A	Out of Frame OH Gasket Set
					CTPC12007B	Inframe OH Set
					CTPC12007C	Cylinder Head Repl. Gasket Set
	BDL01-UP	228-1354, 229-4551, 229-4552, 229-4599, 230-8409	TRUCK	Turbocharged, Single Head	CTPC12008A	Out of Frame OH Gasket Set
					CTPC12008B	Inframe OH Set
					CTPC12008C	Cylinder Head Repl. Gasket Set
	BDL01-UP	228-1438, 230-2020, 228-1439, 230-8601, 228-1500, 230-8685, 229-4445, 231-5468, 229-4447, 231-5780, 229-4600, 231-5781, (CONT)	TRUCK	Turbocharged, Single Head	CTPC12009A	Out of Frame OH Gasket Set
					CTPC12009B	Inframe OH Set
					CTPC12009C	Cylinder Head Repl. Gasket Set

Prefix	Serial No.	Arrangement	Application	Comments	Part Number	Description
BDL	BDL01-UP	229-4686, 232-5696, 230-1865, 232-5765, 230-1936, 233-8890, 233-8958	TRUCK	Turbocharged, Single Head	CTPC12009A	Out of Frame OH Gasket Set
					CTPC12009B	Inframe OH Set
					CTPC12009C	Cylinder Head Repl. Gasket Set
	BDL01-UP	228-1502	TRUCK	Turbocharged, Single Head	CTPC12010A	Out of Frame OH Gasket Set
					CTPC12010B	Inframe OH Set
					CTPC12010C	Cylinder Head Repl. Gasket Set
	BDL01-UP	228-1503, 228-1505	TRUCK	Turbocharged, Single Head	CTPC12011A	Out of Frame OH Gasket Set
					CTPC12011B	Inframe OH Set
					CTPC12011C	Cylinder Head Repl. Gasket Set
	BDL01-UP	229-4428, 229-4429, 229-4434, 229-4614, 229-4615, 230-1860, 230-1876, 230-1884, 231-5537, 231-5550, 231-5620, 231-5626, 231-5732, 231-5791, 232-5544, 232-5545, 232-5707, 232-5708, 233-8788, 233-8855, 234-8400, 235-9400, 235-9413, 235-9414	TRUCK	Turbocharged, Single Head	CTPC12012A	Out of Frame OH Gasket Set
					CTPC12012B	Inframe OH Set
					CTPC12012C	Cylinder Head Repl. Gasket Set
	BDL01-UP	229-4550, 229-4766, 232-5426, 232-5667, 232-5717, 233-8821	TRUCK	Turbocharged, Single Head	CTPC12013A	Out of Frame OH Gasket Set
					CTPC12013B	Inframe OH Set
					CTPC12013C	Cylinder Head Repl. Gasket Set
	BDL01-UP	229-1693, 229-4801, 229-4802, 230-1822, 230-1850, 230-1851, 232-5783	TRUCK	Turbocharged, Single Head	CTPC12014A	Out of Frame OH Gasket Set
					CTPC12014B	Inframe OH Set
					CTPC12014C	Cylinder Head Repl. Gasket Set
	BDL01-UP	229-4803, 229-4804, 229-4805, 231-5696, 232-5764	TRUCK	Turbocharged, Single Head	CTPC12015A	Out of Frame OH Gasket Set
					CTPC12015B	Inframe OH Set
					CTPC12015C	Cylinder Head Repl. Gasket Set
	BDL01-UP	229-4807, 229-4808, 232-5395	TRUCK	Turbocharged, Single Head	CTPC12016A	Out of Frame OH Gasket Set
					CTPC12016B	Inframe OH Set
					CTPC12016C	Cylinder Head Repl. Gasket Set
	BDL01-UP	231-5769	TRUCK	Turbocharged, Single Head	CTPC12017A	Out of Frame OH Gasket Set
					CTPC12017B	Inframe OH Set
					CTPC12017C	Cylinder Head Repl. Gasket Set
	BDL01-UP	235-8040, 235-8162	TRUCK	Turbocharged, Single Head	CTPC12018A	Out of Frame OH Gasket Set
					CTPC12018B	Inframe OH Set
					CTPC12018C	Cylinder Head Repl. Gasket Set

Prefix	Serial No.	Arrangement	Application	Comments	Part Number	Description
BDL	BDL01-UP	239-4530	TRUCK	Turbocharged, Single Head	CTPC12019A	Out of Frame OH Gasket Set
					CTPC12019B	Inframe OH Set
					CTPC12019C	Cylinder Head Repl. Gasket Set
C1Z	C1Z01-UP	241-8160	MARINE	Turbocharged, Single Head	CTPC12054A	Out of Frame OH Gasket Set
					CTPC12054B	Inframe OH Set
					CTPC12054C	Cylinder Head Repl. Gasket Set
JAC	JAC01-UP	172-6945, 172-6946	MTC84, MT835	Turbocharged, Single Head	CTPC12004A	Out of Frame OH Gasket Set
					CTPC12004B	Inframe OH Set
					CTPC12004C	Cylinder Head Repl. Gasket Set
MBL	MBL01-UP	228-1500, 230-1704, 232-5767, 233-8822, 233-8823, 234-8391, 235-9388	TRUCK	Turbocharged, Single Head	CTPC12001A	Out of Frame OH Gasket Set
					CTPC12001B	Inframe OH Set
					CTPC12001C	Cylinder Head Repl. Gasket Set

## C13

Prefix	Serial No.	Arrangement	Application	Comments	Part Number	Description
GENERAL	GENERAL	GENERAL	GENERAL	Turbocharged, Single Head	CTPC13001A	Out of Frame OH Gasket Set
					CTPC13001B	Inframe OH Set
					CTPC13001C	Cylinder Head Repl. Gasket Set
EMS	EMS01-UP	310-3462	C13	Turbocharged, Single Head	CTPC13074A	Out of Frame OH Gasket Set
					CTPC13074B	Inframe OH Set
					CTPC13074C	Cylinder Head Repl. Gasket Set
EMS	EMS01-UP	369-1547	C13	Turbocharged, Single Head	CTPC13075A	Out of Frame OH Gasket Set
					CTPC13075B	Inframe OH Set
					CTPC13075C	Cylinder Head Repl. Gasket Set
H3G	H3G01-UP	436-5798	GENERATOR	Turbocharged, Single Head	CTPC13056A	Out of Frame OH Gasket Set
					CTPC13056B	Inframe OH Set
					CTPC13056C	Cylinder Head Repl. Gasket Set
KCB	KCB01-UP	234-8423, 234-8424, 235-9184, 235-9334, 239-4640, 239-4641, 241-1210, 242-7563, 242-7688, 242-7694, 242-7699, 242-7708, 242-7735, 242-7738, 242-7892, 242-7898, 242-7905, 242-7921, 242-7924, 244-4547, 244-4548, 244-4559, 244-4587, 244-4645, 244-4646, 244-4760, 244-4761, 244-4823, 244-4838, (CONT)	C13 ON-HIGHWAY	Turbocharged, Single Head	CTPC13006A	Out of Frame OH Gasket Set
					CTPC13006B	Inframe OH Set
					CTPC13006C	Cylinder Head Repl. Gasket Set

Prefix	Serial No.	Arrangement	Application	Comments	Part Number	Description				
KCB	KCB01-UP	245-6878, 245-6903, 245-6924, 245-7000, 245-7047, 245-7048, 245-7053, 245-7054, 245-7055, 245-7064, 245-7069, 245-7118, 245-7124, 245-7127, 245-7248, 245-7253, 245-7290, 245-7291, 246-9390, 246-9393, 246-9404, 246-9413, 246-9415, 246-9416, 246-9509, 246-9517, 246-9519, 246-9594, 246-9607, 246-9608, 246-9610, 246-9612, 246-9627, 246-9629, 246-9647, 246-9661, 246-9666, 246-9744, 246-9779, 246-9784, 246-9800, 248-4411, 248-4412, 248-4414, 248-4424, 248-4432, 248-4470, 248-4519, 248-4538, 248-4550, 249-7249, 249-8197, 249-8205, 249-8327, 249-8357, 249-8404, 249-8422, 250-7277, 250-7370, 251-8852, 251-8945, 253-5846, 253-5885, 258-9121, 258-9124, 258-9127, 258-9142, 258-9148, 258-9297, 258-9318, 263-0438, 263-0658, 264-0803, 264-0811, 264-0828, 264-0878, 264-0899, 267-5964, 267-5965	C13 ON-HIGHWAY	Turbocharged, Single Head	CTPC13006A	Out of Frame OH Gasket Set				
					CTPC13006B	Inframe OH Set				
					CTPC13006C	Cylinder Head Repl. Gasket Set				
					KCB01-UP	242-7742, 281-9757	C13 ON-HIGHWAY	Turbocharged, Single Head	CTPC13007A	Out of Frame OH Gasket Set
									CTPC13007B	Inframe OH Set
									CTPC13007C	Cylinder Head Repl. Gasket Set
					KCB01-UP	242-7920	C13 ON-HIGHWAY	Turbocharged, Single Head	CTPC13008A	Out of Frame OH Gasket Set
									CTPC13008B	Inframe OH Set
									CTPC13008C	Cylinder Head Repl. Gasket Set
					KCB01-UP	244-4780, 244-4803	C13 ON-HIGHWAY	Turbocharged, Single Head	CTPC13009A	Out of Frame OH Gasket Set
									CTPC13009B	Inframe OH Set
									CTPC13009C	Cylinder Head Repl. Gasket Set
					KCB01-UP	250-7471	C13 ON-HIGHWAY	Turbocharged, Single Head	CTPC13010A	Out of Frame OH Gasket Set
									CTPC13010B	Inframe OH Set
									CTPC13010C	Cylinder Head Repl. Gasket Set

Prefix	Serial No.	Arrangement	Application	Comments	Part Number	Description
KCB	KCB01-UP	258-9140	C13 ON-HIGHWAY	Turbocharged, Single Head	CTPC13011A	Out of Frame OH Gasket Set
					CTPC13011B	Inframe OH Set
					CTPC13011C	Cylinder Head Repl. Gasket Set
	KCB01-UP	258-9296	C13 ON-HIGHWAY	Turbocharged, Single Head	CTPC13012A	Out of Frame OH Gasket Set
					CTPC13012B	Inframe OH Set
					CTPC13012C	Cylinder Head Repl. Gasket Set
	KCB01-UP	258-9300, 258-9313	C13 ON-HIGHWAY	Turbocharged, Single Head	CTPC13013A	Out of Frame OH Gasket Set
					CTPC13013B	Inframe OH Set
					CTPC13013C	Cylinder Head Repl. Gasket Set
	KCB01-UP	258-9301, 260-2725	C13 ON-HIGHWAY	Turbocharged, Single Head	CTPC13014A	Out of Frame OH Gasket Set
					CTPC13014B	Inframe OH Set
					CTPC13014C	Cylinder Head Repl. Gasket Set
	KCB01-UP	260-2870	C13 ON-HIGHWAY	Turbocharged, Single Head	CTPC13015A	Out of Frame OH Gasket Set
					CTPC13015B	Inframe OH Set
					CTPC13015C	Cylinder Head Repl. Gasket Set
	KCB01-UP	264-0804, 264-0805, 264-0806, 264-0877, 284-0179	C13 ON-HIGHWAY	Turbocharged, Single Head	CTPC13016A	Out of Frame OH Gasket Set
					CTPC13016B	Inframe OH Set
					CTPC13016C	Cylinder Head Repl. Gasket Set
	KCB01-UP	265-5792	TRUCK	Turbocharged, Single Head	CTPC13057A	Out of Frame OH Gasket Set
					CTPC13057B	Inframe OH Set
					CTPC13057C	Cylinder Head Repl. Gasket Set
	KCB01-UP	267-5792	C13	Turbocharged, Single Head	CTPC13058A	Out of Frame OH Gasket Set
					CTPC13058B	Inframe OH Set
					CTPC13058C	Cylinder Head Repl. Gasket Set
	KCB01-UP	267-5956, 267-5966, 267-6023, 269-4289, 271-1163	C13 ON-HIGHWAY	Turbocharged, Single Head	CTPC13017A	Out of Frame OH Gasket Set
					CTPC13017B	Inframe OH Set
					CTPC13017C	Cylinder Head Repl. Gasket Set
	KCB01-UP	269-4286	C13 ON-HIGHWAY	Turbocharged, Single Head	CTPC13018A	Out of Frame OH Gasket Set
					CTPC13018B	Inframe OH Set
					CTPC13018C	Cylinder Head Repl. Gasket Set
KCB01-UP	269-4338	C13 ON-HIGHWAY	Turbocharged, Single Head	CTPC13019A	Out of Frame OH Gasket Set	
				CTPC13019B	Inframe OH Set	
				CTPC13019C	Cylinder Head Repl. Gasket Set	
KCB01-UP	269-4342, 279-1696	C13 ON-HIGHWAY	Turbocharged, Single Head	CTPC13020A	Out of Frame OH Gasket Set	
				CTPC13020B	Inframe OH Set	
				CTPC13020C	Cylinder Head Repl. Gasket Set	

Prefix	Serial No.	Arrangement	Application	Comments	Part Number	Description
KCB	KCB01-UP	277-2624	C13 ON-HIGHWAY	Turbocharged, Single Head	CTPC13021A	Out of Frame OH Gasket Set
					CTPC13021B	Inframe OH Set
					CTPC13021C	Cylinder Head Repl. Gasket Set
	KCB01-UP	277-2865, 277-2872	C13 ON-HIGHWAY	Turbocharged, Single Head	CTPC13022A	Out of Frame OH Gasket Set
					CTPC13022B	Inframe OH Set
					CTPC13022C	Cylinder Head Repl. Gasket Set
	KCB01-UP	277-2868	C13 ON-HIGHWAY	Turbocharged, Single Head	CTPC13023A	Out of Frame OH Gasket Set
					CTPC13023B	Inframe OH Set
					CTPC13023C	Cylinder Head Repl. Gasket Set
	KCB01-UP	279-1862	C13 ON-HIGHWAY	Turbocharged, Single Head	CTPC13024A	Out of Frame OH Gasket Set
					CTPC13024B	Inframe OH Set
					CTPC13024C	Cylinder Head Repl. Gasket Set
	KCB01-UP	289-0863, 289-1684	C13 ON-HIGHWAY	Turbocharged, Single Head	CTPC13025A	Out of Frame OH Gasket Set
					CTPC13025B	Inframe OH Set
					CTPC13025C	Cylinder Head Repl. Gasket Set
	KCB01-UP	289-1656, 289-1681, 289-1773, 289-1929	C13 ON-HIGHWAY	Turbocharged, Single Head	CTPC13026A	Out of Frame OH Gasket Set
					CTPC13026B	Inframe OH Set
					CTPC13026C	Cylinder Head Repl. Gasket Set
	KCB01-UP	289-1659	C13 ON-HIGHWAY	Turbocharged, Single Head	CTPC13027A	Out of Frame OH Gasket Set
					CTPC13027B	Inframe OH Set
					CTPC13027C	Cylinder Head Repl. Gasket Set
	KCB01-UP	289-1703	C13 ON-HIGHWAY	Turbocharged, Single Head	CTPC13028A	Out of Frame OH Gasket Set
					CTPC13028B	Inframe OH Set
					CTPC13028C	Cylinder Head Repl. Gasket Set
	KCB01-UP	289-1723	C13 ON-HIGHWAY	Turbocharged, Single Head	CTPC13029A	Out of Frame OH Gasket Set
					CTPC13029B	Inframe OH Set
					CTPC13029C	Cylinder Head Repl. Gasket Set
	KCB01-UP	289-1863	C13 ON-HIGHWAY	Turbocharged, Single Head	CTPC13030A	Out of Frame OH Gasket Set
					CTPC13030B	Inframe OH Set
					CTPC13030C	Cylinder Head Repl. Gasket Set
	KCB01-UP	289-1864	C13 ON-HIGHWAY	Turbocharged, Single Head	CTPC13031A	Out of Frame OH Gasket Set
					CTPC13031B	Inframe OH Set
					CTPC13031C	Cylinder Head Repl. Gasket Set
	KCB01-UP	289-1949	C13 ON-HIGHWAY	Turbocharged, Single Head	CTPC13032A	Out of Frame OH Gasket Set
					CTPC13032B	Inframe OH Set
					CTPC13032C	Cylinder Head Repl. Gasket Set

Prefix	Serial No.	Arrangement	Application	Comments	Part Number	Description
KCB	KCB01-UP	289-1951, 289-1957	C13 ON-HIGHWAY	Turbocharged, Single Head	CTPC13033A	Out of Frame OH Gasket Set
					CTPC13033B	Inframe OH Set
					CTPC13033C	Cylinder Head Repl. Gasket Set
	KCB01-UP	293-2611	C13 ON-HIGHWAY	Turbocharged, Single Head	CTPC13034A	Out of Frame OH Gasket Set
					CTPC13034B	Inframe OH Set
					CTPC13034C	Cylinder Head Repl. Gasket Set
	KCB01-UP	295-3794, 297-2034	C13 ON-HIGHWAY	Turbocharged, Single Head	CTPC13035A	Out of Frame OH Gasket Set
					CTPC13035B	Inframe OH Set
					CTPC13035C	Cylinder Head Repl. Gasket Set
	KCB01-UP	297-2268	C13 ON-HIGHWAY	Turbocharged, Single Head	CTPC13036A	Out of Frame OH Gasket Set
					CTPC13036B	Inframe OH Set
					CTPC13036C	Cylinder Head Repl. Gasket Set
	KCB01-UP	289-1965, 292-6300, 297-2194, 297-2303, 302-4997, 302-4998, 302-5001, 302-5016, 302-5044, 302-5050, 302-5051, 302-5052, 302-5053, 302-5054, 302-5077, 305-9620, 305-9632, 305-9637, 305-9639, 305-9640, 305-9680, 305-9682, 305-9685, 305-9701, 305-9704, 305-9706, 305-9724, 305-9725, 305-9766, 305-9767, 305-9769, 305-9790, 305-9791, 305-9792, 305-9812, 305-9813, 305-9825, 305-9826, 305-9830, 307-6957, 307-6965, 307-7031, 307-7034, 307-7078, 307-7105, 307-7107, 307-7144, 307-7159, 307-7166, 307-7169, 307-7173, 307-7182, 307-7205, 307-7211, 307-7219, 307-7220, 307-7234, 307-7273, 307-7291, 307-8045, 309-8044, 309-8053, 309-8059, 309-8061, 309-8062, 309-8063, 309-8065, 309-8121, 309-8122, 309-8134, 309-8163, 309-8186, 309-8215, 309-8235, 309-8249, 309-8260, 309-8261, 309-8272, 309-8273, 309-8290, (CONT)	C13 ON-HIGHWAY	Turbocharged, Single Head	CTPC13037A	Out of Frame OH Gasket Set
					CTPC13037B	Inframe OH Set
					CTPC13037C	Cylinder Head Repl. Gasket Set

Prefix	Serial No.	Arrangement	Application	Comments	Part Number	Description
KCB	KCB01-UP	309-8327, 309-8328, 309-8341, 309-8362, 309-8363, 309-8365, 309-8375, 311-9660, 311-9666, 311-9672, 311-9690, 311-9692, 311-9695, 311-9710, 311-9719, 311-9723, 311-9725, 311-9726, 311-9730, 311-9731, 311-9732, 311-9734, 311-9735, 311-9736, 311-9738, 311-9742, 311-9744, 311-9781, 311-9782, 311-9783, 311-9790, 314-4449, 314-4489, 314-4497, 314-4512, 314-4567, 314-4614, 314-4619, 314-4650, 314-4655, 314-4657, 314-4699, 314-4700, 317-0156, 317-0161, 317-0166, 317-0212, 317-0234, 317-0249, 317-0256, 317-0258, 317-0270, 317-0275, 317-0283, 317-0285, 317-0293, 317-0294, 317-0297, 317-0319, 317-0327, 317-0349, 317-0358, 317-0372, 317-0377, 317-0383, 317-0391, 317-0399, 317-0410, 317-0412, 317-0435, 317-0467, 317-0470, 319-4616, 319-4622, 319-4638, 319-4661, 319-4699, 319-4714, 319-4750, 319-4755, 319-4764, 319-4818, 319-4819, 319-4840, 322-4140, 322-4184, 322-4199, 322-4400, 322-4401, 322-4402, 322-4456, 323-4836, 323-4893, 323-4894, 323-4925, 323-4932, 323-4934, 3234936, 323-4938, 323-4941, 324-8514, 324-8519, 324-8520, 324-8521, 324-8523, 324-8525, 324-8526, 324-8532, 324-8580, 324-8586, 324-8587, 324-8588, 324-8594, 324-8595, 324-8607, 324-8611, 324-8616, 324-8620, 324-8627, (CONT)	C13 ON-HIGHWAY	Turbocharged, Single Head	CTPC13037A	Out of Frame OH Gasket Set
					CTPC13037B	Inframe OH Set
					CTPC13037C	Cylinder Head Repl. Gasket Set

Prefix	Serial No.	Arrangement	Application	Comments	Part Number	Description
KCB	KCB01-UP	324-8636, 324-8637, 324-8651, 325-2030, 325-2057, 325-2058, 325-2059, 325-2061, 325-2065, 325-2088, 325-2089, 325-2110, 325-2112, 325-2113, 325-2137, 325-2159, 325-2165, 325-2179, 325-2180, 325-2190, 325-2192, 325-2200, 325-2206, 325-2241, 325-2243, 325-2254, 325-2255, 325-2266, 325-2267, 325-2270, 325-2278, 325-2294, 325-2315, 325-2316, 325-2321, 325-2342, 325-2390, 325-2395, 327-1803, 327-1899, 327-1944, 327-1945, 327-1950, 327-1951, 327-1982, 327-1983, 327-1995, 327-1996, 327-2062, 328-7861, 328-7876, 328-7880, 328-7881, 328-7883, 328-7884, 328-7931, 328-7934, 328-7954, 328-7958, 328-7960, 328-7969, 328-7983, 328-8078, 328-8136, 328-8151, 328-8152, 328-8168, 330-6157, 330-6207, 330-6209, 330-6219, 330-6220, 330-6235, 330-6236, 330-6351, 330-6457, 330-6470, 330-6472, 330-6473, 330-6474, 330-6480, 330-6483, 330-6489, 332-8161, 332-8197, 332-8299, 332-8340, 332-8366, 332-8423, 332-8507, 332-8510, 332-8511, 332-8516, 339-9023, 341-1152, 343-7502, 343-7511, 343-7528, 343-7529	C13 ON-HIGHWAY	Turbocharged, Single Head	CTPC13037A	Out of Frame OH Gasket Set
					CTPC13037B	Inframe OH Set
					CTPC13037C	Cylinder Head Repl. Gasket Set
LEE	LEE01-UP	295-3763, 299-8743, 302-5095, 302-5096, 302-5097, 305-9568, 305-9607, 305-9657, 305-9659, 305-9710, 307-4877, 307-7013, 307-7014, 307-7085, 307-7131, 307-7142, 307-7147, (CONT)	C13 ON-HIGHWAY	Turbocharged, Single Head	CTPC13038A	Out of Frame OH Gasket Set
					CTPC13038B	Inframe OH Set
					CTPC13038C	Cylinder Head Repl. Gasket Set



Prefix	Serial No.	Arrangement	Application	Comments	Part Number	Description
LEE	LEE01-UP	307-7275, 307-7276, 307-7277, 307-7278, 309-8054, 309-8161, 309-8233, 309-8294, 309-8335, 309-8349, 311-9664, 311-9689, 311-9815, 311-9826, 314-4374, 314-4386, 314-4599, 314-4627, 314-4689, 319-4556, 319-4742, 322-4455, 323-4861, 323-4872, 323-4876, 323-5024, 323-5032, 323-5034, 323-5041, 323-5046, 323-5048, 324-8558, 324-8562, 324-8566, 325-2012, 325-2018, 325-2118, 325-2119, 325-2125, 325-2127, 325-2129, 325-2248, 327-1798, 327-1820, 327-1825, 327-1827, 327-1853, 327-1869, 327-1870, 327-1906, 327-1921, 327-1955, 327-1977, 327-1990, 327-2013, 327-2066, 328-7864, 328-7896, 328-8061, 328-8180, 330-6171, 330-6386, 332-8171, 332-8176, 332-8351, 332-8457, 332-8462, 332-8471, 338-3802, 339-9012, 341-1148	C13 ON-HIGHWAY	Turbocharged, Single Head	CTPC13038A	Out of Frame OH Gasket Set
					CTPC13038B	Inframe OH Set
					CTPC13038C	Cylinder Head Repl. Gasket Set
					CTPC13039A	Out of Frame OH Gasket Set
					CTPC13039B	Inframe OH Set
					CTPC13039C	Cylinder Head Repl. Gasket Set
					CTPC13040A	Out of Frame OH Gasket Set
					CTPC13040B	Inframe OH Set
					CTPC13040C	Cylinder Head Repl. Gasket Set
					CTPC13041A	Out of Frame OH Gasket Set
					CTPC13041B	Inframe OH Set
					CTPC13041C	Cylinder Head Repl. Gasket Set
					CTPC13042A	Out of Frame OH Gasket Set
					CTPC13042B	Inframe OH Set
					CTPC13042C	Cylinder Head Repl. Gasket Set

Prefix	Serial No.	Arrangement	Application	Comments	Part Number	Description
LGK	LEE01-UP	324-8407	C13 ON-HIGHWAY	Turbocharged, Single Head	CTPC13043A	Out of Frame OH Gasket Set
					CTPC13043B	Inframe OH Set
					CTPC13043C	Cylinder Head Repl. Gasket Set
	LEE01-UP	325-2062	C13 ON-HIGHWAY	Turbocharged, Single Head	CTPC13044A	Out of Frame OH Gasket Set
					CTPC13044B	Inframe OH Set
					CTPC13044C	Cylinder Head Repl. Gasket Set
LGK	LGK01-UP	368-4893, 368-4894, 368-4895, 368-4898, 368-4896, 368-4897, 368-4900, 388-2114, 392-5475, 396-9755	C13 INDUSTRIAL	Turbocharged, Single Head	CTPC13045A	Out of Frame OH Gasket Set
					CTPC13045B	Inframe OH Set
					CTPC13045C	Cylinder Head Repl. Gasket Set
M4X	M4X01-UP	365-3518	627H	Turbocharged, Single Head	CTPC13049A	Out of Frame OH Gasket Set
					CTPC13049B	Inframe OH Set
					CTPC13049C	Cylinder Head Repl. Gasket Set
	M4X01-UP	365-3524, 417-2599	349EL	Turbocharged, Single Head	CTPC13046A	Out of Frame OH Gasket Set
					CTPC13046B	Inframe OH Set
					CTPC13046C	Cylinder Head Repl. Gasket Set
MHX	MHX01-UP	241-8344, 280-3645	345C, W345C	Turbocharged, Single Head	CTPC13004A	Out of Frame OH Gasket Set
					CTPC13004B	Inframe OH Set
					CTPC13004C	Cylinder Head Repl. Gasket Set
	MHX01-UP	227-5359, 231-0876	16M MOTOR GRADER	Turbocharged, Single Head	CTPC13002A	Out of Frame OH Gasket Set
					CTPC13002B	Inframe OH Set
					CTPC13002C	Cylinder Head Repl. Gasket Set
	MHX01-UP	291-9259	329D, 345D L, 349D L	Turbocharged, Single Head	CTPC13003A	Out of Frame OH Gasket Set
					CTPC13003B	Inframe OH Set
					CTPC13003C	Cylinder Head Repl. Gasket Set
RRA	RRA01-UP	367-9597	INDUSTRIAL	Turbocharged, Single Head	CTPC13051A	Out of Frame OH Gasket Set
					CTPC13051B	Inframe OH Set
					CTPC13051C	Cylinder Head Repl. Gasket Set
	RRA01-UP	368-4893, 368-4894, 368-4895, 368-4898	INDUSTRIAL	Turbocharged, Single Head	CTPC13050A	Out of Frame OH Gasket Set
					CTPC13050B	Inframe OH Set
					CTPC13050C	Cylinder Head Repl. Gasket Set
	RRA01-UP	368-4896	INDUSTRIAL	Turbocharged, Single Head	CTPC13053A	Out of Frame OH Gasket Set
					CTPC13053B	Inframe OH Set
					CTPC13053C	Cylinder Head Repl. Gasket Set
	RRA01-UP	368-4900	INDUSTRIAL	Turbocharged, Single Head	CTPC13054A	Out of Frame OH Gasket Set
					CTPC13054B	Inframe OH Set
					CTPC13054C	Cylinder Head Repl. Gasket Set

Prefix	Serial No.	Arrangement	Application	Comments	Part Number	Description
RRA	RRA01-UP	368-4901	INDUSTRIAL	Turbocharged, Single Head	CTPC13055A	Out of Frame OH Gasket Set
					CTPC13055B	Inframe OH Set
					CTPC13055C	Cylinder Head Repl. Gasket Set
	RRA01-UP	388-2114	INDUSTRIAL	Turbocharged, Single Head	CTPC13052A	Out of Frame OH Gasket Set
					CTPC13052B	Inframe OH Set
					CTPC13052C	Cylinder Head Repl. Gasket Set
T4F	T4F01-UP	373-3856, 373-3858, 516-8119	980M, 982M	Turbocharged, Single Head	CTPC13072A	Out of Frame OH Gasket Set
					CTPC13072B	Inframe OH Set
					CTPC13072C	Cylinder Head Repl. Gasket Set
	T4F01-UP	373-3860	349E, 349F, 352F	Turbocharged, Single Head	CTPC13064A	Out of Frame OH Gasket Set
					CTPC13064B	Inframe OH Set
					CTPC13064C	Cylinder Head Repl. Gasket Set
	T4F01-UP	373-3862	621K	Turbocharged, Single Head	CTPC13067A	Out of Frame OH Gasket Set
					CTPC13067B	Inframe OH Set
					CTPC13067C	Cylinder Head Repl. Gasket Set
	T4F01-UP	373-3864	16M, 18M	Turbocharged, Single Head	CTPC13062A	Out of Frame OH Gasket Set
					CTPC13062B	Inframe OH Set
					CTPC13062C	Cylinder Head Repl. Gasket Set
	T4F01-UP	373-3870	730C	Turbocharged, Single Head	CTPC13070A	Out of Frame OH Gasket Set
					CTPC13070B	Inframe OH Set
					CTPC13070C	Cylinder Head Repl. Gasket Set
	T4F01-UP	476-6375	349E, 349F, 352F	Turbocharged, Single Head	CTPC13065A	Out of Frame OH Gasket Set
					CTPC13065B	Inframe OH Set
					CTPC13065C	Cylinder Head Repl. Gasket Set
	T4F01-UP	310-3462, 516-8120, 548-4359, 548-4360, 550-4627,	980M, 982M	Turbocharged, Single Head	CTPC13073A	Out of Frame OH Gasket Set
					CTPC13073B	Inframe OH Set
					CTPC13073C	Cylinder Head Repl. Gasket Set
	T4F01-UP	516-8121	623K	Turbocharged, Single Head	CTPC13068A	Out of Frame OH Gasket Set
					CTPC13068B	Inframe OH Set
					CTPC13068C	Cylinder Head Repl. Gasket Set
T4F01-UP	516-8123	730C	Turbocharged, Single Head	CTPC13071A	Out of Frame OH Gasket Set	
				CTPC13071B	Inframe OH Set	
				CTPC13071C	Cylinder Head Repl. Gasket Set	
T4F01-UP	516-8124, 533-3189, 533-3190	14M	Turbocharged, Single Head	CTPC13059A	Out of Frame OH Gasket Set	
				CTPC13059B	Inframe OH Set	
				CTPC13059C	Cylinder Head Repl. Gasket Set	

Prefix	Serial No.	Arrangement	Application	Comments	Part Number	Description
T4F	T4F01-UP	516-8125	14M	Turbocharged, Single Head	CTPC13060A	Out of Frame OH Gasket Set
					CTPC13060B	Inframe OH Set
					CTPC13060C	Cylinder Head Repl. Gasket Set
	T4F01-UP	516-8126	349E, 349F, 352F	Turbocharged, Single Head	CTPC13066A	Out of Frame OH Gasket Set
					CTPC13066B	Inframe OH Set
					CTPC13066C	Cylinder Head Repl. Gasket Set
	T4F01-UP	533-3191	16M, 18M	Turbocharged, Single Head	CTPC13063A	Out of Frame OH Gasket Set
					CTPC13063B	Inframe OH Set
					CTPC13063C	Cylinder Head Repl. Gasket Set
T4F01-UP	560-7895	14M	Turbocharged, Single Head	CTPC13061A	Out of Frame OH Gasket Set	
				CTPC13061B	Inframe OH Set	
				CTPC13061C	Cylinder Head Repl. Gasket Set	
T4F01-UP	563-8675	730	Turbocharged, Single Head	CTPC13069A	Out of Frame OH Gasket Set	
				CTPC13069B	Inframe OH Set	
				CTPC13069C	Cylinder Head Repl. Gasket Set	
TXF	TXF01-UP	291-9259	345D, 349D	Turbocharged, Single Head	CTPC13005A	Out of Frame OH Gasket Set
					CTPC13005B	Inframe OH Set
					CTPC13005C	Cylinder Head Repl. Gasket Set
	TXF01-UP	365-3524, 417-2599	349EL	Turbocharged, Single Head	CTPC13046A	Out of Frame OH Gasket Set
					CTPC13046B	Inframe OH Set
					CTPC13046C	Cylinder Head Repl. Gasket Set
	TXF01-UP	417-2599, 422-5494, 431-1464, 442-9567	349EL	Turbocharged, Single Head	CTPC13047A	Out of Frame OH Gasket Set
					CTPC13047B	Inframe OH Set
					CTPC13047C	Cylinder Head Repl. Gasket Set
TXF01-UP	422-5494	349EL	Turbocharged, Single Head	CTPC13048A	Out of Frame OH Gasket Set	
				CTPC13048B	Inframe OH Set	
				CTPC13048C	Cylinder Head Repl. Gasket Set	

## C15

Prefix	Serial No.	Arrangement	Application	Comments	Part Number	Description
6NZ	6NZ01-90822	160-5340, 160-5339, 160-5342, 166-5353, 176-9332, 176-9334, 176-9344, 176-9388, 176-9395, 176-9400, 176-9419, 176-9424, 176-9428, 176-9816	TRUCK ENGINE	Turbocharged, Spacer Plate	CTPC15002A	Out of Frame OH Gasket Set
					CTPC15002B	Inframe OH Set
					CTPC15002C	Cylinder Head Repl. Gasket Set

Prefix	Serial No.	Arrangement	Application	Comments	Part Number	Description
	6NZ1-37112, 6NZ1340-37112, 6NZ20517-37112, 6NZ18282-37112, 6NZ1-21695, 6NZ1-17363, 6NZ17363-37112, 6NZ17363-27285	160-3076, 160-5340, 160-5342, 176-9816, 180-1750, 184-2794, 184-2828, 184-2914, 184-2932, 185-4876, 185-4953, 186-1961, 187-0292, 187-0315, 187-0318, 187-0356, 187-0359, 188-6716, 188-6722, 191-4167, 191-4373, 191-4377, 192-9320, 192-9348, 192-9349, 192-9350, 192-9354, 192-9384, 192-9413, 192-9481, 192-9482, 192-9483, 192-9673	TRUCK ENGINE	Turbocharged, Spacer Plate	CTPC15003A	Out of Frame OH Gasket Set
					CTPC15003B	Inframe OH Set
					CTPC15003C	Cylinder Head Repl. Gasket Set
					CTPC15004A	Out of Frame OH Gasket Set
					CTPC15004B	Inframe OH Set
					CTPC15004C	Cylinder Head Repl. Gasket Set
					CTPC15005A	Out of Frame OH Gasket Set
					CTPC15005B	Inframe OH Set
					CTPC15005C	Cylinder Head Repl. Gasket Set
					CTPC15005C	Cylinder Head Repl. Gasket Set
6NZ	6NZ01-UP, 6NZ1340-90822, 6NZ13016-90822, 6NZ17363-90822, 6NZ27892-90822, 6NZ44995-90822, 6NZ49772-90822, 6NZ47911-90822, 6NZ1-52184, 6NZ52185-90822, 6NZ59796-90822, 6NZ80923-90822, 6NZ76365-91260, 6NZ1-94071, 6NZ1-1339, 6NZ4944-90822, 6NZ8937-90822	165-2517, 176-9389, 176-9396, 176-9401, 176-9407, 176-9422, 176-9427, 176-9823, 176-9825, 176-9835, 180-2232	TRUCK ENGINE	Turbocharged, Spacer Plate	CTPC15004A	Out of Frame OH Gasket Set
					CTPC15004B	Inframe OH Set
					CTPC15004C	Cylinder Head Repl. Gasket Set
					CTPC15005A	Out of Frame OH Gasket Set
					CTPC15005B	Inframe OH Set
					CTPC15005C	Cylinder Head Repl. Gasket Set
					CTPC15005A	Out of Frame OH Gasket Set
					CTPC15005B	Inframe OH Set
					CTPC15005C	Cylinder Head Repl. Gasket Set
					CTPC15005C	Cylinder Head Repl. Gasket Set
6NZ	6NZ924101-UP, 6NZ94000-UP, 6NZ94203-UP, 6NZ91974-UP, 6NZ97215-UP	260-2810, 235-3459, 237-3767, 237-3770, 237-3771, 237-3773, 237-3775, 237-3777, 237-3778, 237-3779, 237-3781, 244-4608, 245-6931, 248-4483, 260-2744, 264-0886, 260-2810, 235-3459, 237-3767, 237-3770, 237-3771, 237-3773, 237-3775, 237-3777, 237-3778, (CONT)	TRUCK ENGINE	Turbocharged, Spacer Plate	CTPC15003A	Out of Frame OH Gasket Set
					CTPC15003B	Inframe OH Set
					CTPC15003C	Cylinder Head Repl. Gasket Set
					CTPC15004A	Out of Frame OH Gasket Set
					CTPC15004B	Inframe OH Set
					CTPC15004C	Cylinder Head Repl. Gasket Set
					CTPC15005A	Out of Frame OH Gasket Set
					CTPC15005B	Inframe OH Set
					CTPC15005C	Cylinder Head Repl. Gasket Set
					CTPC15005C	Cylinder Head Repl. Gasket Set

Prefix	Serial No.	Arrangement	Application	Comments	Part Number	Description
	6NZ924101-UP, 6NZ94000-UP, 6NZ94203-UP, 6NZ91974-UP, 6NZ97215-UP	, 237-3779, 237-3781, 244-4608, 245-6931, 248-4483, 260-2744, 264-0886	TRUCK ENGINE	Turbocharged, Spacer Plate	CTPC15005A	Out of Frame OH Gasket Set
					CTPC15005B	Inframe OH Set
					CTPC15005C	Cylinder Head Repl. Gasket Set
					CTPC15010A	Out of Frame OH Gasket Set
					CTPC15010B	Inframe OH Set
					CTPC15010C	Cylinder Head Repl. Gasket Set
					CTPC15011A	Out of Frame OH Gasket Set
					CTPC15011B	Inframe OH Set
					CTPC15011C	Cylinder Head Repl. Gasket Set
					CTPC15024A	Out of Frame OH Gasket Set
6NZ	6NZ01-UP	160-3076, 179-4012, 180-2024, 180-2139, 191-4065	C15	Turbocharged, Spacer Plate	CTPC15024A	Out of Frame OH Gasket Set
					CTPC15024B	Inframe OH Set
					CTPC15024C	Cylinder Head Repl. Gasket Set
					CTPC15025A	Out of Frame OH Gasket Set
					CTPC15025B	Inframe OH Set
					CTPC15025C	Cylinder Head Repl. Gasket Set
					CTPC15026A	Out of Frame OH Gasket Set
					CTPC15026B	Inframe OH Set
					CTPC15026C	Cylinder Head Repl. Gasket Set
					CTPC15027A	Out of Frame OH Gasket Set
6NZ	6NZ01-UP	220-7508	C15	Turbocharged, Spacer Plate	CTPC15025A	Out of Frame OH Gasket Set
					CTPC15025B	Inframe OH Set
					CTPC15025C	Cylinder Head Repl. Gasket Set
					CTPC15026A	Out of Frame OH Gasket Set
					CTPC15026B	Inframe OH Set
					CTPC15026C	Cylinder Head Repl. Gasket Set
					CTPC15027A	Out of Frame OH Gasket Set
					CTPC15027B	Inframe OH Set
					CTPC15027C	Cylinder Head Repl. Gasket Set
					CTPC15027C	Cylinder Head Repl. Gasket Set
6NZ	6NZ01-UP	245-6906	C15	Turbocharged, Spacer Plate	CTPC15026A	Out of Frame OH Gasket Set
					CTPC15026B	Inframe OH Set
					CTPC15026C	Cylinder Head Repl. Gasket Set
					CTPC15027A	Out of Frame OH Gasket Set
					CTPC15027B	Inframe OH Set
					CTPC15027C	Cylinder Head Repl. Gasket Set
					CTPC15027C	Cylinder Head Repl. Gasket Set
					CTPC15027C	Cylinder Head Repl. Gasket Set
					CTPC15027C	Cylinder Head Repl. Gasket Set
					CTPC15027C	Cylinder Head Repl. Gasket Set
CTPC15027C	Cylinder Head Repl. Gasket Set					

Prefix	Serial No.	Arrangement	Application	Comments	Part Number	Description
9NZ	9NZ01-UP	245-6907, 250-7255, 256-9252, 258-9306, 271-1165, 284-0342, 286-7767, 289-1737, 289-1738, 294-5864, 297-2050, 297-2221, 299-8536, 299-8595, 299-8660, 299-8661, 302-4975, 307-7030, 307-7038, 307-7048, 311-9810, 311-9810, 314-4378, 314-4379, 319-4598, 319-4602, 319-4678, 322-4142, 328-7849, 330-615, 330-6158, 330-6158, 330-6294, 330-6311, 330-6312, 332-8381, 339-9090, 339-9090, 343-7670	C15	Turbocharged, Spacer Plate	CTPC15027A	Out of Frame OH Gasket Set
					CTPC15027B	Inframe OH Set
					CTPC15027C	Cylinder Head Repl. Gasket Set
	9NZ01-UP	244-4600	C15	Turbocharged, Spacer Plate	CTPC15028A	Out of Frame OH Gasket Set
					CTPC15028B	Inframe OH Set
					CTPC15028C	Cylinder Head Repl. Gasket Set
	9NZ01-UP	245-7089	C15	Turbocharged, Spacer Plate	CTPC15029A	Out of Frame OH Gasket Set
					CTPC15029B	Inframe OH Set
					CTPC15029C	Cylinder Head Repl. Gasket Set
	9NZ01-UP	254-9507, 261-5294, 275-3168	C15	Turbocharged, Spacer Plate	CTPC15030A	Out of Frame OH Gasket Set
					CTPC15030B	Inframe OH Set
					CTPC15030C	Cylinder Head Repl. Gasket Set
	9NZ01-UP	273-4676	C15	Turbocharged, Spacer Plate	CTPC15031A	Out of Frame OH Gasket Set
				CTPC15031B	Inframe OH Set	
				CTPC15031C	Cylinder Head Repl. Gasket Set	
9NZ01-UP	284-0340	C15	Turbocharged, Spacer Plate	CTPC15032A	Out of Frame OH Gasket Set	
				CTPC15032B	Inframe OH Set	
				CTPC15032C	Cylinder Head Repl. Gasket Set	
BEM	BEM1-2999, BEM682-UP, BEM3000-UP	188-9436, 197-1393, 201-1009, 213-4889, 234-5999, 234-9188, 234-9189, 234-9190, 290-4161	INDUSTRIAL	Turbocharged, Spacer Plate	CTPC15009A	Out of Frame OH Gasket Set
				CTPC15009B	Inframe OH Set	
				CTPC15009C	Cylinder Head Repl. Gasket Set	

Prefix	Serial No.	Arrangement	Application	Comments	Part Number	Description
BXS	BXS01-UP	234-8421, 234-8422, 240-4206, 240-4261, 242-7507, 242-7544, 242-7545, 242-7887, 242-7888, 242-7918, 248-4646, 248-4648, 248-4651	C15	Turbocharged, Spacer Plate	CTPC15044A	Out of Frame OH Gasket Set
					CTPC15044B	Inframe OH Set
					CTPC15044C	Cylinder Head Repl. Gasket Set
	BXS01-UP	234-8587, 234-8588, 235-9491, 237-1818, 238-7228, 239-4790, 240-4349, 240-4356, 240-4359, 240-4392, 242-7758, 242-7785, 242-7786, 242-7787, 242-7788, 242-7789, 242-7791, 242-7793, 242-7794, 244-4549, 244-4551, 244-4569, 244-4573, 244-4598, 244-4609, 244-4812, 244-4813, 244-4815, 244-4831, 244-4834, 245-6894, 245-7012, 245-7018, 245-7036, 245-7104, 245-7113, 245-7158, 245-7160, 245-7162, 245-7163, 245-7176, 245-7271, 245-7272, 245-7285, 246-9503, 246-9529, 246-9535, 246-9599, 246-9617, 246-9632, 246-9642, 246-9668, 246-9670, 248-4389, 248-4436, 248-4449, 248-4490, 248-4497, 248-4531, 248-4545, 249-8304, 249-8383, 249-8389, 249-8390, 249-8392, 249-8397, 249-8416, 249-8417, 249-8420, 250-7210, 250-7211, 250-7217, 250-7265, 250-7348, 250-7351, (CONT)	C15	Turbocharged, Spacer Plate	CTPC15045A	Out of Frame OH Gasket Set
					CTPC15045B	Inframe OH Set
					CTPC15045C	Cylinder Head Repl. Gasket Set

Prefix	Serial No.	Arrangement	Application	Comments	Part Number	Description					
BXS		250-7354, 250-7390, 250-7463, 250-7464, 251-8874, 251-8965, 251-8966	C15	Turbocharged, Spacer Plate	CTPC15044A	Out of Frame OH Gasket Set					
					CTPC15044B	Inframe OH Set					
					CTPC15044C	Cylinder Head Repl. Gasket Set					
	BXS01-UP		235-9193, 237-1669, 237-1815, 238-7254, 238-7335, 238-7357, 239-4498, 240-4185, 240-4186, 240-4187, 240-4223, 240-4224, 241-1442, 241-1443, 242-7507, 242-7697, 242-7807, 242-7882, 242-7886, 242-7916, 245-7011, 245-7284, 246-9408, 246-9667, 246-9764, 246-9793, 246-9793, 246-9794, 248-4478, 248-4543, 249-8184, 249-8386, 249-8387, 249-8394, 249-8496, 250-7239, 250-7241, 250-7244, 250-7357, 251-8936, 253-5698, 253-5911, 253-5930, 254-9556, 254-9573, 254-9574, 254-9711, 258-9113, 258-9115, 258-9164, 258-9200	C15	Turbocharged, Spacer Plate	CTPC15046A	Out of Frame OH Gasket Set				
						CTPC15046B	Inframe OH Set				
						CTPC15046C	Cylinder Head Repl. Gasket Set				
						BXS01-UP	235-9194	C15	Turbocharged, Spacer Plate	CTPC15047A	Out of Frame OH Gasket Set
										CTPC15047B	Inframe OH Set
										CTPC15047C	Cylinder Head Repl. Gasket Set
						BXS01-UP		C15	Turbocharged, Spacer Plate	CTPC15048A	Out of Frame OH Gasket Set
										CTPC15048B	Inframe OH Set
										CTPC15048C	Cylinder Head Repl. Gasket Set

Prefix	Serial No.	Arrangement	Application	Comments	Part Number	Description
BXS	BXS01-UP	240-4248, 240-4249, 240-4260, 240-4384, 242-7880, 245-7256, 245-7270, 245-7283, 245-7294, 245-7296, 245-7300, 246-9382, 246-9791, 249-8333, 250-7283, 251-9079, 256-9030, 258-9245, 258-9246, 258-9249, 258-9274, 258-9303, 258-9308	C15	Turbocharged, Spacer Plate	CTPC15049A	Out of Frame OH Gasket Set
					CTPC15049B	Inframe OH Set
					CTPC15049C	Cylinder Head Repl. Gasket Set
FFH	FFH01-UP	286-4918, 286-4920, 286-4921	C15 GENERATOR	Turbocharged, Spacer Plate	CTPC15063A	Out of Frame OH Gasket Set
					CTPC15063B	Inframe OH Set
					CTPC15063C	Cylinder Head Repl. Gasket Set
JAS	JAS01-UP	367-8502, 367-8503	INDUSTRIAL	Turbocharged, Spacer Plate	CTPC15064A	Out of Frame OH Gasket Set
					CTPC15064B	Inframe OH Set
					CTPC15064C	Cylinder Head Repl. Gasket Set
JAS01-UP	367-8504	INDUSTRIAL	Turbocharged, Spacer Plate	CTPC15065A	Out of Frame OH Gasket Set	
				CTPC15065B	Inframe OH Set	
				CTPC15065C	Cylinder Head Repl. Gasket Set	
JRE	JRE01-UP	241-0020, 254-3832, 254-3835, 254-3838, 276-1367, 300-4940, 300-4941, 304-9463	INDUSTRIAL & C15-TH35, PETROLEUM TRUCK	Turbocharged, Spacer Plate	CTPC15001A	Out of Frame OH Gasket Set
					CTPC15001B	Inframe OH Set
					CTPC15001C	Cylinder Head Repl. Gasket Set
	JRE01-UP	241-0020, 327-1013	INDUSTRIAL	Turbocharged, Spacer Plate	CTPC15067A	Out of Frame OH Gasket Set
					CTPC15067B	Inframe OH Set
					CTPC15067C	Cylinder Head Repl. Gasket Set
	JRE01-UP	254-3835	INDUSTRIAL	Turbocharged, Spacer Plate	CTPC15068A	Out of Frame OH Gasket Set
					CTPC15068B	Inframe OH Set
					CTPC15068C	Cylinder Head Repl. Gasket Set
	JRE01-UP	359-2103	INDUSTRIAL	Turbocharged, Spacer Plate	CTPC15069A	Out of Frame OH Gasket Set
					CTPC15069B	Inframe OH Set
					CTPC15069C	Cylinder Head Repl. Gasket Set
JRE01-UP	362-6461, 365-3720	INDUSTRIAL	Turbocharged, Spacer Plate	CTPC15070A	Out of Frame OH Gasket Set	
				CTPC15070B	Inframe OH Set	
				CTPC15070C	Cylinder Head Repl. Gasket Set	

Prefix	Serial No.	Arrangement	Application	Comments	Part Number	Description	
JRE	JRE01-UP	365-6337	INDUSTRIAL	Turbocharged, Spacer Plate	CTPC15071A	Out of Frame OH Gasket Set	
					CTPC15071B	Inframe OH Set	
					CTPC15071C	Cylinder Head Repl. Gasket Set	
	JRE01-UP	365-6707	INDUSTRIAL	Turbocharged, Spacer Plate	CTPC15072A	Out of Frame OH Gasket Set	
					CTPC15072B	Inframe OH Set	
					CTPC15072C	Cylinder Head Repl. Gasket Set	
	JRE01-UP	365-6711	INDUSTRIAL	Turbocharged, Spacer Plate	CTPC15073A	Out of Frame OH Gasket Set	
					CTPC15073B	Inframe OH Set	
					CTPC15073C	Cylinder Head Repl. Gasket Set	
	JRE01-UP	365-6712	INDUSTRIAL	Turbocharged, Spacer Plate	CTPC15074A	Out of Frame OH Gasket Set	
					CTPC15074B	Inframe OH Set	
					CTPC15074C	Cylinder Head Repl. Gasket Set	
	JRE01-UP	365-6717	INDUSTRIAL	Turbocharged, Spacer Plate	CTPC15075A	Out of Frame OH Gasket Set	
					CTPC15075B	Inframe OH Set	
					CTPC15075C	Cylinder Head Repl. Gasket Set	
	JRE01-UP	392-5476	INDUSTRIAL	Turbocharged, Spacer Plate	CTPC15076A	Out of Frame OH Gasket Set	
					CTPC15076B	Inframe OH Set	
					CTPC15076C	Cylinder Head Repl. Gasket Set	
	L4E	L4E01-UP	343-8557	740B	Turbocharged, Spacer Plate	CTPC15052A	Out of Frame OH Gasket Set
						CTPC15052B	Inframe OH Set
						CTPC15052C	Cylinder Head Repl. Gasket Set
	L4X	L4X01-UP	365-3722	740B	Turbocharged, Spacer Plate	CTPC15050A	Out of Frame OH Gasket Set
						CTPC15050B	Inframe OH Set
						CTPC15050C	Cylinder Head Repl. Gasket Set
LHX	LHX01-UP	221-0890, 257-4958, 283-2437, 286-9797, 283-2437, 286-9797	365C 283-2437 / 286-9797	Turbocharged, Spacer Plate	CTPC15006A	Out of Frame OH Gasket Set	
					CTPC15006B	Inframe OH Set	
					CTPC15006C	Cylinder Head Repl. Gasket Set	
	LHX01-UP	296-6027	583T	Turbocharged, Spacer Plate	CTPC15007A	Out of Frame OH Gasket Set	
					CTPC15007B	Inframe OH Set	
					CTPC15007C	Cylinder Head Repl. Gasket Set	
	LHX01-UP	228-0839, 283-3531, 311-7497	621G, 627F, 657E	Turbocharged, Spacer Plate	CTPC15008A	Out of Frame OH Gasket Set	
					CTPC15008B	Inframe OH Set	
					CTPC15008C	Cylinder Head Repl. Gasket Set	
	LHX01-UP	228-4407	735	Turbocharged, Spacer Plate	CTPC15014A	Out of Frame OH Gasket Set	
					CTPC15014B	Inframe OH Set	
					CTPC15014C	Cylinder Head Repl. Gasket Set	

Prefix	Serial No.	Arrangement	Application	Comments	Part Number	Description	
LHX	LHX01-UP	292-9284	735 ARTICULATED TRUCK TXG00001- TXG99999	Turbocharged, Spacer Plate	CTPC15015A	Out of Frame OH Gasket Set	
					CTPC15015B	Inframe OH Set	
					CTPC15015C	Cylinder Head Repl. Gasket Set	
	LHX01-UP	292-9285, 299-5072, 316-0601, 316-0602	735, 740		Turbocharged, Spacer Plate	CTPC15016A	Out of Frame OH Gasket Set
						CTPC15016B	Inframe OH Set
						CTPC15016C	Cylinder Head Repl. Gasket Set
	LHX01-UP	227-3759	740 ARTICULATED TRUCK		Turbocharged, Spacer Plate	CTPC15017A	Out of Frame OH Gasket Set
						CTPC15017B	Inframe OH Set
						CTPC15017C	Cylinder Head Repl. Gasket Set
	LHX01-UP	272-3084, 272-3085, 292-2549, 330-9412 TXG00001- TXG99999	770 330-9412		Turbocharged, Spacer Plate	CTPC15018A	Out of Frame OH Gasket Set
						CTPC15018B	Inframe OH Set
						CTPC15018C	Cylinder Head Repl. Gasket Set
	LHX01-UP	225-8923, 225-0995, 235-4692, 238-0973, 280-9912 225-8923 / 235-4692	824H, 825H, 826H,980H 824H, 825H, 826H		Turbocharged, Spacer Plate	CTPC15019A	Out of Frame OH Gasket Set
						CTPC15019B	Inframe OH Set
						CTPC15019C	Cylinder Head Repl. Gasket Set
	LHX01-UP	303-1581, 313-5819	980H WHEEL LOADER		Turbocharged, Single Head	CTPC15020A	Out of Frame OH Gasket Set
						CTPC15020B	Inframe OH Set
						CTPC15020C	Cylinder Head Repl. Gasket Set
	LHX01-UP	189-2620, 225-0097, 237-9123	D8T TRACK-TYPE TRACTOR		Turbocharged, Spacer Plate	CTPC15021A	Out of Frame OH Gasket Set
						CTPC15021B	Inframe OH Set
						CTPC15021C	Cylinder Head Repl. Gasket Set
	LHX01-UP	248-0846	R2900		Turbocharged, Single Head	CTPC15022A	Out of Frame OH Gasket Set
						CTPC15022B	Inframe OH Set
						CTPC15022C	Cylinder Head Repl. Gasket Set
MBN	MBN01-UP	225-2122, 226-7012, 226-7029, 228-1093, 228-1102, 228-1269, 228-1312, 228-1317, 228-1399, 228-1403, 228-1406, 228-1410, 228-1412, 228-1426, 228-1427, 228-1431, 228-1432, 228-1487, 229-4416, 229-4436, 229-4437, 229-4455, 229-4456, 229-4457, 29-4458, (CONT)	C15	Turbocharged, Spacer Plate	CTPC15033A	Out of Frame OH Gasket Set	
					CTPC15033B	Inframe OH Set	
					CTPC15033C	Cylinder Head Repl. Gasket Set	

Prefix	Serial No.	Arrangement	Application	Comments	Part Number	Description
MBN	MBN01-UP	2229-4461, 229-4464, 229-4465, 229-4534, 229-4536, 229-4541, 229-4568, 229-4569, 229-4571, 229-4572, 229-4573, 229-4582, 229-4585, 229-4587, 229-4589, 229-4590, 229-4592, 229-4593, 229-4604, 229-4605, 229-4618, 229-4625, 229-4630, 229-4631, 229-4641, 229-4642, 229-4650, 229-4652, 229-4661, 229-4666, 229-4672, 229-4674, 229-4689, 229-4690, 229-4691, 229-4697, 229-4699, 229-4774, 229-4775, 229-4790, 229-4791, 230-1666, 230-1681, 230-1684, 230-1691, 230-1692, 230-1709, 230-1711, 230-1712, 230-1713, 230-1788, 230-1814, 230-1833, 230-1836, 230-1841, 230-1864, 230-1891, 230-1896, 230-1902, 230-1939, 230-1941, 230-1953, 230-2029, 230-8388, 230-8390, 230-8392, 230-8431, 230-8432, 230-8499, 230-8500, 230-8517, 230-8584, 30-8585, 230-8587, 230-8672, 230-8711, 231-5464, 231-5482, 231-5522, 231-5553, 231-5579, 231-5585, 231-5618, 231-5700, 231-5706, 231-5753, 2231-5768, 231-5785, 232-5407, 232-5515 (CONT)	C15	Turbocharged, Spacer Plate	CTPC15033A	Out of Frame OH Gasket Set
					CTPC15033B	Inframe OH Set
					CTPC15033C	Cylinder Head Repl. Gasket Set

Prefix	Serial No.	Arrangement	Application	Comments	Part Number	Description
MBN	MBN01-UP	232-5636, 232-5640, 232-5644, 232-5651, 232-5683, 232-5684, 232-5689, 232-5690, 232-5789, 232-5790, 233-8842, 233-8863, 233-9000, 233-9093, 234-8478, 234-8524, 235-9102, 235-9423, 235-9434, 235-9440	C15	Turbocharged, Spacer Plate	CTPC15033A	Out of Frame OH Gasket Set
					CTPC15033B	Inframe OH Set
					CTPC15033C	Cylinder Head Repl. Gasket Set
MBN	MBN01-UP	226-6796, 229-4579, 229-4580, 231-5572, 231-5707	C15	Turbocharged, Spacer Plate	CTPC15034A	Out of Frame OH Gasket Set
					CTPC15034B	Inframe OH Set
					CTPC15034C	Cylinder Head Repl. Gasket Set
MBN	MBN01-UP	228-1268, 230-8414, 229-4692, 231-5584, 230-1930, 231-5756, 230-2059, 231-5775, 232-5639, 232-5646, 232-5687, 233-8883, 233-8884, 235-9375, 237-1627, 237-1794, 237-1810, 238-7204	C15	Turbocharged, Spacer Plate	CTPC15035A	Out of Frame OH Gasket Set
					CTPC15035B	Inframe OH Set
					CTPC15035C	Cylinder Head Repl. Gasket Set
MBN	MBN01-UP	229-4470, 229-4695	C15	Turbocharged, Spacer Plate	CTPC15036A	Out of Frame OH Gasket Set
					CTPC15036B	Inframe OH Set
					CTPC15036C	Cylinder Head Repl. Gasket Set
MBN	MBN01-UP	229-4626, 231-5766, 229-4696, 232-5743, 229-4698, 230-1665, 230-8572, 231-5455, 233-9042,	C15	Turbocharged, Spacer Plate	CTPC15037A	Out of Frame OH Gasket Set
					CTPC15037B	Inframe OH Set
					CTPC15037C	Cylinder Head Repl. Gasket Set
MBN	MBN01-UP	229-4639	C15	Turbocharged, Spacer Plate	CTPC15038A	Out of Frame OH Gasket Set
					CTPC15038B	Inframe OH Set
					CTPC15038C	Cylinder Head Repl. Gasket Set
MBN	MBN01-UP	230-1911, 239-4508	C15	Turbocharged, Spacer Plate	CTPC15039A	Out of Frame OH Gasket Set
					CTPC15039B	Inframe OH Set
					CTPC15039C	Cylinder Head Repl. Gasket Set
MBN	MBN01-UP	231-5503, 235-9429	C15	Turbocharged, Spacer Plate	CTPC15040A	Out of Frame OH Gasket Set
					CTPC15040B	Inframe OH Set
					CTPC15040C	Cylinder Head Repl. Gasket Set

Prefix	Serial No.	Arrangement	Application	Comments	Part Number	Description
MBN	MBN01-UP	231-5701, 235-9163, 233-8847, 235-9446, 233, 9019, 235-9455, 235-9474	C15	Turbocharged, Spacer Plate	CTPC15041A	Out of Frame OH Gasket Set
					CTPC15041B	Inframe OH Set
					CTPC15041C	Cylinder Head Repl. Gasket Set
	MBN01-UP	232-5507, 232-5653, 237-1636	C15	Turbocharged, Spacer Plate	CTPC15042A	Out of Frame OH Gasket Set
					CTPC15042B	Inframe OH Set
					CTPC15042C	Cylinder Head Repl. Gasket Set
	MBN01-UP	235-9476	C15	Turbocharged, Spacer Plate	CTPC15043A	Out of Frame OH Gasket Set
					CTPC15043B	Inframe OH Set
					CTPC15043C	Cylinder Head Repl. Gasket Set
MCW01-UP	359-2103	INDUSTRIAL	Turbocharged, Spacer Plate	CTPC15069A	Out of Frame OH Gasket Set	
				CTPC15069B	Inframe OH Set	
				CTPC15069C	Cylinder Head Repl. Gasket Set	
MCW01-UP	362-6461, 365-3720	INDUSTRIAL	Turbocharged, Spacer Plate	CTPC15070A	Out of Frame OH Gasket Set	
				CTPC15070B	Inframe OH Set	
				CTPC15070C	Cylinder Head Repl. Gasket Set	
MCW01-UP	365-6337	INDUSTRIAL	Turbocharged, Spacer Plate	CTPC15071A	Out of Frame OH Gasket Set	
				CTPC15071B	Inframe OH Set	
				CTPC15071C	Cylinder Head Repl. Gasket Set	
MCW01-UP	365-6707	INDUSTRIAL	Turbocharged, Spacer Plate	CTPC15072A	Out of Frame OH Gasket Set	
				CTPC15072B	Inframe OH Set	
				CTPC15072C	Cylinder Head Repl. Gasket Set	
MCW01-UP	365-6711	INDUSTRIAL	Turbocharged, Spacer Plate	CTPC15073A	Out of Frame OH Gasket Set	
				CTPC15073B	Inframe OH Set	
				CTPC15073C	Cylinder Head Repl. Gasket Set	
MCW01-UP	365-6712	INDUSTRIAL	Turbocharged, Spacer Plate	CTPC15074A	Out of Frame OH Gasket Set	
				CTPC15074B	Inframe OH Set	
				CTPC15074C	Cylinder Head Repl. Gasket Set	
MCW01-UP	365-6717	INDUSTRIAL	Turbocharged, Spacer Plate	CTPC15075A	Out of Frame OH Gasket Set	
				CTPC15075B	Inframe OH Set	
				CTPC15075C	Cylinder Head Repl. Gasket Set	
MCW01-UP	392-5476	INDUSTRIAL	Turbocharged, Spacer Plate	CTPC15076A	Out of Frame OH Gasket Set	
				CTPC15076B	Inframe OH Set	
				CTPC15076C	Cylinder Head Repl. Gasket Set	
MCW01-UP	365-6335	INDUSTRIAL	Turbocharged, Spacer Plate	CTPC15077A	Out of Frame OH Gasket Set	
				CTPC15077B	Inframe OH Set	
				CTPC15077C	Cylinder Head Repl. Gasket Set	

Prefix	Serial No.	Arrangement	Application	Comments	Part Number	Description
MCW	MCW01-UP	365-6710	INDUSTRIAL	Turbocharged, Spacer Plate	CTPC15078A	Out of Frame OH Gasket Set
					CTPC15078B	Inframe OH Set
					CTPC15078C	Cylinder Head Repl. Gasket Set
MHP	MHP01-UP	241-0020, 254-3832, 254-3835, 254-3838, 276-1367, 300-4940, 300-4941, 304-9463	INDUSTRIAL & C15-TH35, PETROLEUM TRUCK	Turbocharged, Spacer Plate	CTPC15001A	Out of Frame OH Gasket Set
					CTPC15001B	Inframe OH Set
					CTPC15001C	Cylinder Head Repl. Gasket Set
MXS01-UP		251-9200, 260-2739, 263-0468, 263-0500, 263-0741, 264-0750, 264-0770, 264-5670, 271-0993, 271-0993, 281-9623, 292-6169	TRUCK	Turbocharged, Spacer Plate	CTPC15053A	Out of Frame OH Gasket Set
					CTPC15053B	Inframe OH Set
					CTPC15043C	Cylinder Head Repl. Gasket Set
MXS01-UP		258-9162, 266-1721	TRUCK	Turbocharged, Spacer Plate	CTPC15054A	Out of Frame OH Gasket Set
					CTPC15054B	Inframe OH Set
					CTPC15054C	Cylinder Head Repl. Gasket Set
MXS	MXS01-UP	258-9250, 260-2734, 260-2735, 260-2736, 260-2737, 260-2738, 260-2808, 260-2809, 260-2815, 260-2819, 260-2820, 260-2852, 260-2853, 263-0463, 263-0464, 263-0480; 263-0481, 263-0482, 263-0483, 263-0710, 263-0729, 263-0730, 264-0766, 264-0845, 266-1729, 266-1731, 263-0635	TRUCK	Turbocharged, Spacer Plate	CTPC15055A	Out of Frame OH Gasket Set
					CTPC15055B	Inframe OH Set
					CTPC15055C	Cylinder Head Repl. Gasket Set
MXS01-UP		261-5497, 264-0850	TRUCK	Turbocharged, Spacer Plate	CTPC15056A	Out of Frame OH Gasket Set
					CTPC15056B	Inframe OH Set
					CTPC15056C	Cylinder Head Repl. Gasket Set
MXS01-UP		263-0467, 263-0479, 263-0632, 264-0767, 264-0862, 264-0785	TRUCK	Turbocharged, Spacer Plate	CTPC15057A	Out of Frame OH Gasket Set
					CTPC15057B	Inframe OH Set
					CTPC15057C	Cylinder Head Repl. Gasket Set
MXS01-UP		263-0719, 264-0784, 273-4440	TRUCK	Turbocharged, Spacer Plate	CTPC15058A	Out of Frame OH Gasket Set
					CTPC15058B	Inframe OH Set
					CTPC15058C	Cylinder Head Repl. Gasket Set



Prefix	Serial No.	Arrangement	Application	Comments	Part Number	Description
MXS	MXS01-UP	263-0728	TRUCK	Turbocharged, Spacer Plate	CTPC15059A	Out of Frame OH Gasket Set
					CTPC15059B	Inframe OH Set
					CTPC15059C	Cylinder Head Repl. Gasket Set
	MXS01-UP	263-0609, 264-0859, 273-4413,	TRUCK	Turbocharged, Spacer Plate	CTPC15060A	Out of Frame OH Gasket Set
					CTPC15060B	Inframe OH Set
					CTPC15060C	Cylinder Head Repl. Gasket Set
	MXS01-UP	319-4886	TRUCK	Turbocharged, Spacer Plate	CTPC15061A	Out of Frame OH Gasket Set
					CTPC15061B	Inframe OH Set
					CTPC15061C	Cylinder Head Repl. Gasket Set
	MXS01-UP	332-8208, 350-9090	TRUCK	Turbocharged, Spacer Plate	CTPC15062A	Out of Frame OH Gasket Set
					CTPC15062B	Inframe OH Set
					CTPC15062C	Cylinder Head Repl. Gasket Set
NXS	NXS01-UP	261-5393, 263-0493, 264-0785	C15 ON-HIGHWAY ENGINE	Turbocharged, Spacer Plate	CTPC15012A	Out of Frame OH Gasket Set
					CTPC15012B	Inframe OH Set
					CTPC15012C	Cylinder Head Repl. Gasket Set
	NXS01-UP	263-0467, 263-0479	C15 ON-HIGHWAY ENGINE	Turbocharged, Spacer Plate	CTPC15013A	Out of Frame OH Gasket Set
					CTPC15013B	Inframe OH Set
					CTPC15013C	Cylinder Head Repl. Gasket Set
T4R	T4R01-UP	365-3722	740B	Turbocharged, Spacer Plate	CTPC15050A	Out of Frame OH Gasket Set
					CTPC15050B	Inframe OH Set
					CTPC15050C	Cylinder Head Repl. Gasket Set
TRB	TRB01-UP	285-6402	TRUCK	Turbocharged, Spacer Plate	CTPC15066A	Out of Frame OH Gasket Set
					CTPC15066B	Inframe OH Set
					CTPC15066C	Cylinder Head Repl. Gasket Set
TXG	TXG01-UP	221-0890, 257-4958, 283-2437, 286-9797	365C 283-2437 / 286-9797	Turbocharged, Spacer Plate	CTPC15006A	Out of Frame OH Gasket Set
					CTPC15006B	Inframe OH Set
					CTPC15006C	Cylinder Head Repl. Gasket Set
	TXG01-UP	228-0839, 283-3531, 311-7497	621G, 627F, 657E	Turbocharged, Spacer Plate	CTPC15008A	Out of Frame OH Gasket Set
					CTPC15008B	Inframe OH Set
					CTPC15008C	Cylinder Head Repl. Gasket Set
	TXG01-UP	292-9284	735 ARTICULATED TRUCK TXG00001- TXG99999	Turbocharged, Spacer Plate	CTPC15015A	Out of Frame OH Gasket Set
					CTPC15015B	Inframe OH Set
					CTPC15015C	Cylinder Head Repl. Gasket Set
	TXG01-UP	292-9285, 299-5072, 316-0601, 316-0602	735, 740	Turbocharged, Spacer Plate	CTPC15016A	Out of Frame OH Gasket Set
					CTPC15016B	Inframe OH Set
					CTPC15016C	Cylinder Head Repl. Gasket Set

Prefix	Serial No.	Arrangement	Application	Comments	Part Number	Description
TXG	TXG01-UP	272-3084, 272-3085, 292-2549, 330-9412 TXG00001- TXG99999	770 330-9412	Turbocharged, Spacer Plate	CTPC15018A	Out of Frame OH Gasket Set
					CTPC15018B	Inframe OH Set
					CTPC15018C	Cylinder Head Repl. Gasket Set
	TXG01-UP	225-0995, 225-8923, 235-4692, 238-0973, 280-9912 225-8923 / 235-4692	824H, 825H, 826H,980H 824H, 825H, 826H	Turbocharged, Spacer Plate	CTPC15019A	Out of Frame OH Gasket Set
					CTPC15019B	Inframe OH Set
					CTPC15019C	Cylinder Head Repl. Gasket Set
	TXG01-UP	303-1581, 313-5819	980H WHEEL LOADER	Turbocharged, Single Head	CTPC15020A	Out of Frame OH Gasket Set
					CTPC15020B	Inframe OH Set
					CTPC15020C	Cylinder Head Repl. Gasket Set
	TXG01-UP	189-2620, 225-0097, 237-9123	D8T TRACK-TYPE TRACTOR	Turbocharged, Spacer Plate	CTPC15021A	Out of Frame OH Gasket Set
					CTPC15021B	Inframe OH Set
					CTPC15021C	Cylinder Head Repl. Gasket Set
TXG01-UP	248-0846	R2900	Turbocharged, Single Head	CTPC15022A	Out of Frame OH Gasket Set	
				CTPC15022B	Inframe OH Set	
				CTPC15022C	Cylinder Head Repl. Gasket Set	
TXL	TXL01-UP	417-2616	740B	Turbocharged, Spacer Plate	CTPC15023A	Out of Frame OH Gasket Set
					CTPC15023B	Inframe OH Set
					CTPC15023C	Cylinder Head Repl. Gasket Set
TXL01-UP	417-2607	740B	Turbocharged, Spacer Plate	CTPC15051A	Out of Frame OH Gasket Set	
				CTPC15051B	Inframe OH Set	
				CTPC15051C	Cylinder Head Repl. Gasket Set	
TXY	TXY01-UP	343-8557	740B	Turbocharged, Spacer Plate	CTPC15052A	Out of Frame OH Gasket Set
					CTPC15052B	Inframe OH Set
					CTPC15052C	Cylinder Head Repl. Gasket Set

## C18

Prefix	Serial No.	Arrangement	Application	Comments	Part Number	Description
C1J	C1J01-UP	319-8744, 319-8746, 319-8747, 319-8748, 319-8749, 319-8750, 319-8751, 319-8752, 319-8753, 319-8754, 319-8767, 319-8768, 319-8769, 319-8770, 328-1564, 328-1565, 328-1566, 328-1567, 328-1568, 328-1569, 328-1569, 328-1570, 328-1571, 328-1572, 328-1579, 328-1581, 328-1589, (CONT)	MARINE ENGINE	Turbocharger	CTPC18006A	Out of Frame OH Gasket Set
					CTPC18006B	Inframe OH Set
					CTPC18006C	Cylinder Head Repl. Gasket Set

Prefix	Serial No.	Arrangement	Application	Comments	Part Number	Description
C1J	C1J01-UP	328-1600, 328-1601, 328-1602, 342-6531, 342-6532, 342-6533, 342-6534, 342-6540, 342-6541, 342-6542, 342-6544	MARINE ENGINE	Turbocharger	CTPC18006A	Out of Frame OH Gasket Set
					CTPC18006B	Inframe OH Set
					CTPC18006C	Cylinder Head Repl. Gasket Set
CYN	CYN01-UP	319-8744, 319-8746, 319-8747, 319-8748, 319-8749, 319-8750, 319-8751, 319-8752, 319-8753, 319-8754, 319-8767, 319-8768, 319-8769, 319-8770, 328-1564, 328-1565, 328-1566, 328-1567, 328-1568, 328-1569, 328-1569, 328-1570, 328-1571, 328-1572, 328-1579, 328-1581, 328-1589, 328-1600, 328-1601, 328-1602, 342-6531, 342-6532, 342-6533, 342-6534, 342-6540, 342-6541, 342-6542, 342-6544	MARINE ENGINE	Turbocharger	CTPC18006A	Out of Frame OH Gasket Set
					CTPC18006B	Inframe OH Set
					CTPC18006C	Cylinder Head Repl. Gasket Set
EJG	EJG01-UP	254-3824	INDUSTRIAL	Turbocharger	CTPC18009A	Out of Frame OH Gasket Set
					CTPC18009B	Inframe OH Set
					CTPC18009C	Cylinder Head Repl. Gasket Set
EJG	EJG01-UP	367-8506	INDUSTRIAL	Turbocharger	CTPC18010A	Out of Frame OH Gasket Set
					CTPC18010B	Inframe OH Set
					CTPC18010C	Cylinder Head Repl. Gasket Set
GBM	GBM01-UP	319-8744, 319-8746, 319-8747, 319-8748, 319-8749, 319-8750, 319-8751, 319-8752, 319-8753, 319-8754, 319-8767, 319-8768, 319-8769, 319-8770, 328-1564, 328-1565, 328-1566, 328-1567, 328-1568, 328-1569, 328-1569, 328-1570, 328-1571, 328-1572, 328-1579, 328-1581, 328-1589, 328-1600, 328-1601, 328-1602, 342-6531, 342-6532, 342-6533, 342-6534, 342-6540, 342-6541, 342-6542, 342-6544	MARINE ENGINE	Turbocharger	CTPC18006A	Out of Frame OH Gasket Set
					CTPC18006B	Inframe OH Set
					CTPC18006C	Cylinder Head Repl. Gasket Set
JDA	JDA01-UP	325-3283	INDUSTRIAL	Turbocharger	CTPC18011A	Out of Frame OH Gasket Set
					CTPC18011B	Inframe OH Set
					CTPC18011C	Cylinder Head Repl. Gasket Set

Prefix	Serial No.	Arrangement	Application	Comments	Part Number	Description
MDP	MDP01-UP	242-7889, 242-7890	TRUCK	Turbocharger	CTPC18008A	Out of Frame OH Gasket Set
					CTPC18008B	Inframe OH Set
					CTPC18008C	Cylinder Head Repl. Gasket Set
MEP	MEP01-UP	207-5431, 240-4200, 240-4201	TRUCK	Turbocharger	CTPC18007A	Out of Frame OH Gasket Set
					CTPC18007B	Inframe OH Set
					CTPC18007C	Cylinder Head Repl. Gasket Set
R4L	R4L01-UP	342-4633	D9T TRACK-TYPE TRACTOR	Turbocharger	CTPC18003A	Out of Frame OH Gasket Set
					CTPC18003B	Inframe OH Set
					CTPC18003C	Cylinder Head Repl. Gasket Set
RHX	RHX01-UP	205-8603	D9T	Turbocharger	CTPC18001A	Out of Frame OH Gasket Set
					CTPC18001B	Inframe OH Set
					CTPC18001C	Cylinder Head Repl. Gasket Set
RHX	RHX01-UP	281-6452	988H WHEEL LOADER	Turbocharger	CTPC18002A	Out of Frame OH Gasket Set
					CTPC18002B	Inframe OH Set
					CTPC18002C	Cylinder Head Repl. Gasket Set
RJS	RJS01-UP	205-8603	D9T	Turbocharger	CTPC18001A	Out of Frame OH Gasket Set
					CTPC18001B	Inframe OH Set
					CTPC18001C	Cylinder Head Repl. Gasket Set
STH	STH01-UP	241-2422	GENERATOR SET	Turbocharger	CTPC18004A	Out of Frame OH Gasket Set
					CTPC18004B	Inframe OH Set
					CTPC18004C	Cylinder Head Repl. Gasket Set
STH	STH01-UP	269-1769	GENERATOR SET	Turbocharger	CTPC18005A	Out of Frame OH Gasket Set
					CTPC18005B	Inframe OH Set
					CTPC18005C	Cylinder Head Repl. Gasket Set
TXH	TXH01-UP	281-6452	988H WHEEL LOADER	Turbocharger	CTPC18002A	Out of Frame OH Gasket Set
					CTPC18002B	Inframe OH Set
					CTPC18002C	Cylinder Head Repl. Gasket Set

## C27

Prefix	Serial No.	Arrangement	Application	Comments	Part Number	Description
EHX	EHX00001-EHX05530, EHX02921-EHX05550	217-5670, 271-8633	844H WHEEL TRACTOR	C27	CTPC27001A	Out of Frame OH Gasket Set
					CTPC27001B	Inframe OH Set
					CTPC27001C	Cylinder Head Repl. Gasket Set
					CTPC27001D	Single Cyl. Head Repl. Gasket Set

Prefix	Serial No.	Arrangement	Application	Comments	Part Number	Description
EHX	EHX01-UP	212-2744, 271-2219	D10T TRACK TYPE TRACTOR	C27	CTPC27002A	Out of Frame OH Gasket Set
					CTPC27002B	Inframe OH Set
					CTPC27002C	Cylinder Head Repl. Gasket Set
					CTPC27002D	Single Cyl. Head Repl. Gasket Set
	EHX01-UP	227-5353, 262-3741, 280-2297	773F OFF HIGHWAY TRUCK	C27	CTPC27003A	Out of Frame OH Gasket Set
					CTPC27003B	Inframe OH Set
					CTPC27003C	Cylinder Head Repl. Gasket Set
					CTPC27003D	Single Cyl. Head Repl. Gasket Set
	EHX01-UP	360-3757	773F OFF HIGHWAY TRUCK	C27	CTPC27004A	Out of Frame OH Gasket Set
					CTPC27004B	Inframe OH Set
					CTPC27004C	Cylinder Head Repl. Gasket Set
					CTPC27004D	Single Cyl. Head Repl. Gasket Set
	EHX01-UP	217-5670, 271-8633	990H WHEEL LOADER	C27	CTPC27005A	Out of Frame OH Gasket Set
					CTPC27005B	Inframe OH Set
					CTPC27005C	Cylinder Head Repl. Gasket Set
					CTPC27005D	Single Cyl. Head Repl. Gasket Set
LJX	LJX01-UP	227-5354	775F OFF HIGHWAY TRUCK	C27	CTPC27006A	Out of Frame OH Gasket Set
					CTPC27006B	Inframe OH Set
					CTPC27006C	Cylinder Head Repl. Gasket Set
					CTPC27006D	Single Cyl. Head Repl. Gasket Set
	LJX01-UP	262-3742	775F OFF HIGHWAY TRUCK	C27	CTPC27007A	Out of Frame OH Gasket Set
					CTPC27007B	Inframe OH Set
					CTPC27007C	Cylinder Head Repl. Gasket Set
					CTPC27007D	Single Cyl. Head Repl. Gasket Set
TWM	TWM01-UP	351-0216	C27 INDUSTRIAL	C27	CTPC27008C	Cylinder Head Repl. Gasket Set
					CTPC27008D	Single Cyl. Head Repl. Gasket Set

## C32

Prefix	Serial No.	Arrangement	Application	Comments	Part Number	Description
AL6	AL601-UP	466-3231, 447-6198, 447-6199	MACHINE		CTPC32002A	Out of Frame OH Gasket Set
					CTPC32002B	Inframe OH Set
					CTPC32002C	Cylinder Head Repl. Gasket Set
FLX	FLX01-UP	466-3231, 447-6198, 447-6199	MACHINE		CTPC32002A	Out of Frame OH Gasket Set
					CTPC32002B	Inframe OH Set
					CTPC32002C	Cylinder Head Repl. Gasket Set

Prefix	Serial No.	Arrangement	Application	Comments	Part Number	Description	
FZS	FZS01-UP	350-7671	777G		CTPC32011A	Out of Frame OH Gasket Set	
					CTPC32011B	Inframe OH Set	
					CTPC32011C	Cylinder Head Repl. Gasket Set	
JAZ	JAZ01-UP	273-9683, 444-7563	MACHINE		CTPC32003A	Out of Frame OH Gasket Set	
					CTPC32003B	Inframe OH Set	
					CTPC32003C	Cylinder Head Repl. Gasket Set	
	JAZ01-UP	336-7659, 343-1709, 273-9682	MACHINE			CTPC32004A	Out of Frame OH Gasket Set
						CTPC32004B	Inframe OH Set
						CTPC32004C	Cylinder Head Repl. Gasket Set
	JAZ01-UP	343-1710	MACHINE			CTPC32005A	Out of Frame OH Gasket Set
						CTPC32005B	Inframe OH Set
						CTPC32005C	Cylinder Head Repl. Gasket Set
	JAZ01-UP	380-1429, 444-7556, 444-7557	MACHINE			CTPC32006A	Out of Frame OH Gasket Set
						CTPC32006B	Inframe OH Set
						CTPC32006C	Cylinder Head Repl. Gasket Set
JAZ01-UP	380-1430	MACHINE			CTPC32007A	Out of Frame OH Gasket Set	
					CTPC32007B	Inframe OH Set	
					CTPC32007C	Cylinder Head Repl. Gasket Set	
JAZ01-UP	380-1431	MACHINE			CTPC32008A	Out of Frame OH Gasket Set	
					CTPC32008B	Inframe OH Set	
					CTPC32008C	Cylinder Head Repl. Gasket Set	
JAZ01-UP	444-7558	MACHINE			CTPC32009A	Out of Frame OH Gasket Set	
					CTPC32009B	Inframe OH Set	
					CTPC32009C	Cylinder Head Repl. Gasket Set	
JSJ	JSJ01-UP	336-7659, 343-1709, 273-9682	MACHINE		CTPC32004A	Out of Frame OH Gasket Set	
					CTPC32004B	Inframe OH Set	
					CTPC32004C	Cylinder Head Repl. Gasket Set	
	JSJ01-UP	380-1429, 444-7556, 444-7557	MACHINE			CTPC32006A	Out of Frame OH Gasket Set
						CTPC32006B	Inframe OH Set
						CTPC32006C	Cylinder Head Repl. Gasket Set
JSJ01-UP	340-4992	MACHINE			CTPC32010A	Out of Frame OH Gasket Set	
					CTPC32010B	Inframe OH Set	
					CTPC32010C	Cylinder Head Repl. Gasket Set	
KNM	KNM01-UP	340-4992	MACHINE		CTPC32010A	Out of Frame OH Gasket Set	
					CTPC32010B	Inframe OH Set	
					CTPC32010C	Cylinder Head Repl. Gasket Set	

Prefix	Serial No.	Arrangement	Application	Comments	Part Number	Description		
LJW	LJW-UP	347-5835	777C, 777D		CTPC32012A	Out of Frame OH Gasket Set		
					CTPC32012B	Inframe OH Set		
					CTPC32012C	Cylinder Head Repl. Gasket Set		
	LJW-UP	246-5457, 262-3743, 353-8645	777F			CTPC32013A	Out of Frame OH Gasket Set	
						CTPC32013B	Inframe OH Set	
						CTPC32013C	Cylinder Head Repl. Gasket Set	
	LJW-UP	246-4283, 246-8228, 259-3142, 259-3143	854K, 991K, 992K			CTPC32014A	Out of Frame OH Gasket Set	
						CTPC32014B	Inframe OH Set	
						CTPC32014C	Cylinder Head Repl. Gasket Set	
	LJW-UP	245-9772, 246-6724	992H, 993K			CTPC32015A	Out of Frame OH Gasket Set	
						CTPC32015B	Inframe OH Set	
						CTPC32015C	Cylinder Head Repl. Gasket Set	
	LJW-UP	246-5627	D11R, D11T			CTPC32016A	Out of Frame OH Gasket Set	
						CTPC32016B	Inframe OH Set	
						CTPC32016C	Cylinder Head Repl. Gasket Set	
	LJW-UP	326-8852	D11T			CTPC32017A	Out of Frame OH Gasket Set	
						CTPC32017B	Inframe OH Set	
						CTPC32017C	Cylinder Head Repl. Gasket Set	
MHM	MHM01-UP	331-8966, 334-8178, 334-8179	854K, 992K			CTPC32019A	Out of Frame OH Gasket Set	
						CTPC32019B	Inframe OH Set	
						CTPC32019C	Cylinder Head Repl. Gasket Set	
NRC	NRC01-UP	466-3231, 447-6198, 447-6199	GENERATOR			CTPC32002A	Out of Frame OH Gasket Set	
						CTPC32002B	Inframe OH Set	
						CTPC32002C	Cylinder Head Repl. Gasket Set	
	NRC01-UP	273-9683, 444-7563	GENERATOR				CTPC32003A	Out of Frame OH Gasket Set
							CTPC32003B	Inframe OH Set
							CTPC32003C	Cylinder Head Repl. Gasket Set
	NRC01-UP	380-1429, 444-7556, 444-7557	GENERATOR				CTPC32006A	Out of Frame OH Gasket Set
							CTPC32006B	Inframe OH Set
							CTPC32006C	Cylinder Head Repl. Gasket Set
PRH	PRH01-UP	466-3231, 447-6198, 447-6199	GENERATOR			CTPC32002A	Out of Frame OH Gasket Set	
						CTPC32002B	Inframe OH Set	
						CTPC32002C	Cylinder Head Repl. Gasket Set	
	PRH01-UP	336-7659, 343-1709, 273-9682	GENERATOR				CTPC32004A	Out of Frame OH Gasket Set
							CTPC32004B	Inframe OH Set
						CTPC32004C	Cylinder Head Repl. Gasket Set	

Prefix	Serial No.	Arrangement	Application	Comments	Part Number	Description		
	PRH01-UP	343-1710	GENERATOR			CTPC32005A	Out of Frame OH Gasket Set	
						CTPC32005B	Inframe OH Set	
						CTPC32005C	Cylinder Head Repl. Gasket Set	
	PRH01-UP	380-1429, 444-7556, 444-7557	GENERATOR				CTPC32006A	Out of Frame OH Gasket Set
							CTPC32006B	Inframe OH Set
							CTPC32006C	Cylinder Head Repl. Gasket Set
	PRH01-UP	380-1430	GENERATOR				CTPC32007A	Out of Frame OH Gasket Set
							CTPC32007B	Inframe OH Set
							CTPC32007C	Cylinder Head Repl. Gasket Set
	PRH01-UP	380-1431	GENERATOR				CTPC32008A	Out of Frame OH Gasket Set
							CTPC32008B	Inframe OH Set
							CTPC32008C	Cylinder Head Repl. Gasket Set
PRH01-UP	444-7558	GENERATOR				CTPC32009A	Out of Frame OH Gasket Set	
						CTPC32009B	Inframe OH Set	
						CTPC32009C	Cylinder Head Repl. Gasket Set	
RNC	RNC01-UP	244-7158, 244-7159	MARINE C32			CTPC32022A	Out of Frame OH Gasket Set	
						CTPC32022B	Inframe OH Set	
						CTPC32022C	Cylinder Head Repl. Gasket Set	
RNE	RNE01-UP	324-3763, 324-3764, 324-3765, 324-3780, 324-3781, 324-3782, 324-3783, 324-3785, 324-3786, 324-3789, 324-3790, 324-3792, 324-3793, 324-3794, 324-3797, 324-3798, 324-3799, 324-3800, 324-3802, 326-1600 to 326-1615, 326-1617 to 326-1619, 326-1621 to 326-1623	MARINE C32			CTPC32020A	Out of Frame OH Gasket Set	
						CTPC32020B	Inframe OH Set	
						CTPC32020C	Cylinder Head Repl. Gasket Set	
RNR	RNR01-UP	324-3763, 324-3764, 324-3765, 324-3780, 324-3781, 324-3782, 324-3783, 324-3785, 324-3786, 324-3789, 324-3790, 324-3792, 324-3793, 324-3794, 324-3797, 324-3798, 324-3799, 324-3800, 324-3802, 326-1600 to 326-1615, 326-1617 to 326-1619, 326-1621 to 326-1623	MARINE C32			CTPC32020A	Out of Frame OH Gasket Set	
						CTPC32020B	Inframe OH Set	
						CTPC32020C	Cylinder Head Repl. Gasket Set	

Prefix	Serial No.	Arrangement	Application	Comments	Part Number	Description
RNR	RNR01-UP	324-3770, 324-3774, 324-3775, 324-3783, 324-3787, 324-3788, 324-3791, 324-3795, 324-3796, 326-1616, 326-1620	MARINE C32		CTPC32021A	Out of Frame OH Gasket Set
					CTPC32021B	Inframe OH Set
					CTPC32021C	Cylinder Head Repl. Gasket Set
	RNR01-UP	331-0717, 331-0718, 331-0719, 331-0723	MARINE C32		CTPC32028A	Out of Frame OH Gasket Set
					CTPC32028B	Inframe OH Set
					CTPC32028C	Cylinder Head Repl. Gasket Set
RNX	RNX01-UP	324-3763, 324-3764, 324-3765, 324-3780, 324-3781, 324-3782, 324-3783, 324-3785, 324-3786, 324-3789, 324-3790, 324-3792, 324-3793, 324-3794, 324-3797, 324-3798, 324-3799, 324-3800, 324-3802, 326-1600 to 326-1615, 326-1617 to 326-1619, 326-1621 to 326-1623	MARINE C32		CTPC32020A	Out of Frame OH Gasket Set
					CTPC32020B	Inframe OH Set
					CTPC32020C	Cylinder Head Repl. Gasket Set
					CTPC32021A	Out of Frame OH Gasket Set
					CTPC32021B	Inframe OH Set
					CTPC32021C	Cylinder Head Repl. Gasket Set
	RNX01-UP	324-3770, 324-3774, 324-3775, 324-3783, 324-3787, 324-3788, 324-3791, 324-3795, 324-3796, 326-1616, 326-1620	MARINE C32		CTPC32021A	Out of Frame OH Gasket Set
					CTPC32021B	Inframe OH Set
					CTPC32021C	Cylinder Head Repl. Gasket Set
					CTPC32020A	Out of Frame OH Gasket Set
					CTPC32020B	Inframe OH Set
					CTPC32020C	Cylinder Head Repl. Gasket Set
RNY	RNY01-UP	324-3763, 324-3764, 324-3765, 324-3780, 324-3781, 324-3782, 324-3783, 324-3785, 324-3786, 324-3789, 324-3790, 324-3792, 324-3793, 324-3794, 324-3797, 324-3798, 324-3799, 324-3800, 324-3802, 326-1600 to 326-1615, 326-1617 to 326-1619, 326-1621 to 326-1623	MARINE C32		CTPC32020A	Out of Frame OH Gasket Set
					CTPC32020B	Inframe OH Set
					CTPC32020C	Cylinder Head Repl. Gasket Set
					CTPC32021A	Out of Frame OH Gasket Set
					CTPC32021B	Inframe OH Set
					CTPC32021C	Cylinder Head Repl. Gasket Set
	RNY01-UP	324-3770, 324-3774, 324-3775, 324-3783, 324-3787, 324-3788, 324-3791, 324-3795, 324-3796, 326-1616, 326-1620	MARINE C32		CTPC32021A	Out of Frame OH Gasket Set
					CTPC32021B	Inframe OH Set
					CTPC32021C	Cylinder Head Repl. Gasket Set
					CTPC32023A	Out of Frame OH Gasket Set
					CTPC32023B	Inframe OH Set
					CTPC32023C	Cylinder Head Repl. Gasket Set

Prefix	Serial No.	Arrangement	Application	Comments	Part Number	Description
RXB	RXB01-UP	239-2350, 239-3006, 264-0517, 280-2214, 310-8119, 318-8463, 318-8464, 310-7384, 310-7385	MARINE C32		CTPC32024A	Out of Frame OH Gasket Set
					CTPC32024B	Inframe OH Set
					CTPC32024C	Cylinder Head Repl. Gasket Set
	RXB01-UP	310-7945	MARINE C32		CTPC32025A	Out of Frame OH Gasket Set
					CTPC32025B	Inframe OH Set
					CTPC32025C	Cylinder Head Repl. Gasket Set
	RXB01-UP	239-2351, 239-3007, 280-2215	MARINE C32		CTPC32026A	Out of Frame OH Gasket Set
					CTPC32026B	Inframe OH Set
					CTPC32026C	Cylinder Head Repl. Gasket Set
SLT	SLT01-UP	239-2350, 239-3006, 264-0517, 280-2214, 310-8119, 310-7384, 310-7385, 318-8463, 318-8464,	MARINE C32		CTPC32024A	Out of Frame OH Gasket Set
					CTPC32024B	Inframe OH Set
					CTPC32024C	Cylinder Head Repl. Gasket Set
	SLT01-UP	310-7945	MARINE C32		CTPC32025A	Out of Frame OH Gasket Set
					CTPC32025B	Inframe OH Set
					CTPC32025C	Cylinder Head Repl. Gasket Set
SXC	SXC01-UP	273-9682, 336-7659, 343-1709	GENERATOR		CTPC32004A	Out of Frame OH Gasket Set
					CTPC32004B	Inframe OH Set
					CTPC32004C	Cylinder Head Repl. Gasket Set
SYC	SYC01-UP	273-9683, 444-7563	GENERATOR		CTPC32003A	Out of Frame OH Gasket Set
					CTPC32003B	Inframe OH Set
					CTPC32003C	Cylinder Head Repl. Gasket Set
	SYC01-UP	273-9682, 336-7659, 343-1709	GENERATOR		CTPC32004A	Out of Frame OH Gasket Set
					CTPC32004B	Inframe OH Set
					CTPC32004C	Cylinder Head Repl. Gasket Set
	SYC01-UP	340-4992	GENERATOR POWER MODULE		CTPC32010A	Out of Frame OH Gasket Set
					CTPC32010B	Inframe OH Set
					CTPC32010C	Cylinder Head Repl. Gasket Set
TLD	TLD01-UP	291-2859, 389-9983	INDUSTRIAL C32		CTPC32027A	Out of Frame OH Gasket Set
					CTPC32027B	Inframe OH Set
					CTPC32027C	Cylinder Head Repl. Gasket Set
WHH	WHH01-UP	320-8050	D11T		CTPC32018A	Out of Frame OH Gasket Set
					CTPC32018B	Inframe OH Set
					CTPC32018C	Cylinder Head Repl. Gasket Set
WZH	WZH01-UP	341-3157	D11T		CTPC32001A	Out of Frame OH Gasket Set
					CTPC32001B	Inframe OH Set
					CTPC32001C	Cylinder Head Repl. Gasket Set

# C175-16

Prefix	Serial No.	Arrangement	Application	Comments	Part Number	Description	
B7B	B7B01-UP	250-7100	793F		CTPC175-16001A	Out of Frame OH Gasket Set	
					CTPC175-16001B	Inframe OH Set	
					CTPC175-16001C	Cylinder Head Repl. Gasket Set	
	B7B01-UP	314-2485	793F		CTPC175-16002A	Out of Frame OH Gasket Set	
					CTPC175-16002B	Inframe OH Set	
					CTPC175-16002C	Cylinder Head Repl. Gasket Set	
	B7B01-UP	360-1646	793F		CTPC175-16003A	Out of Frame OH Gasket Set	
					CTPC175-16003B	Inframe OH Set	
					CTPC175-16003C	Cylinder Head Repl. Gasket Set	
	B7B01-UP	365-9318	793F		CTPC175-16004A	Out of Frame OH Gasket Set	
					CTPC175-16004B	Inframe OH Set	
					CTPC175-16004C	Cylinder Head Repl. Gasket Set	
	B7B01-UP	365-9319	793F		CTPC175-16005A	Out of Frame OH Gasket Set	
					CTPC175-16005B	Inframe OH Set	
					CTPC175-16005C	Cylinder Head Repl. Gasket Set	
	B7B01-UP	365-9320	793F		CTPC175-16006A	Out of Frame OH Gasket Set	
					CTPC175-16006B	Inframe OH Set	
					CTPC175-16006C	Cylinder Head Repl. Gasket Set	
	B7B01-UP	365-9321	793F		CTPC175-16007A	Out of Frame OH Gasket Set	
					CTPC175-16007B	Inframe OH Set	
					CTPC175-16007C	Cylinder Head Repl. Gasket Set	
	B7B01-UP	381-8006	793F		CTPC175-16008A	Out of Frame OH Gasket Set	
					CTPC175-16008B	Inframe OH Set	
					CTPC175-16008C	Cylinder Head Repl. Gasket Set	
	B7B01-UP	398-1018	793F		CTPC175-16009A	Out of Frame OH Gasket Set	
					CTPC175-16009B	Inframe OH Set	
					CTPC175-16009C	Cylinder Head Repl. Gasket Set	
	B7B01-UP	415-1197	793F		CTPC175-16010A	Out of Frame OH Gasket Set	
					CTPC175-16010B	Inframe OH Set	
					CTPC175-16010C	Cylinder Head Repl. Gasket Set	
	B7B01-UP	421-3009	793F		CTPC175-16011A	Out of Frame OH Gasket Set	
					CTPC175-16011B	Inframe OH Set	
					CTPC175-16011C	Cylinder Head Repl. Gasket Set	
	JTL	JTL01-UP	457-6736	794		CTPC175-16012A	Out of Frame OH Gasket Set
						CTPC175-16012B	Inframe OH Set
						CTPC175-16012C	Cylinder Head Repl. Gasket Set

Prefix	Serial No.	Arrangement	Application	Comments	Part Number	Description
JTL	JTL01-UP	288-8962	795F		CTPC175-16013A	Out of Frame OH Gasket Set
					CTPC175-16013B	Inframe OH Set
					CTPC175-16013C	Cylinder Head Repl. Gasket Set
	JTL01-UP	457-6736	795F		CTPC175-16014A	Out of Frame OH Gasket Set
					CTPC175-16014B	Inframe OH Set
					CTPC175-16014C	Cylinder Head Repl. Gasket Set

# C175-20

Prefix	Serial No.	Arrangement	Application	Comments	Part Number	Description
LLM	LLM01-UP	365-9327	793F		CTPC175-20001A	Out of Frame OH Gasket Set
					CTPC175-20001B	Inframe OH Set
					CTPC175-20001C	Cylinder Head Repl. Gasket Set
	LLM01-UP	262-1300	797F		CTPC175-20002A	Out of Frame OH Gasket Set
					CTPC175-20002B	Inframe OH Set
					CTPC175-20002C	Cylinder Head Repl. Gasket Set
	LLM01-UP	282-2060	797F		CTPC175-20003A	Out of Frame OH Gasket Set
					CTPC175-20003B	Inframe OH Set
					CTPC175-20003C	Cylinder Head Repl. Gasket Set
	LLM01-UP	360-1647	797F		CTPC175-20004A	Out of Frame OH Gasket Set
					CTPC175-20004B	Inframe OH Set
					CTPC175-20004C	Cylinder Head Repl. Gasket Set
	LLM01-UP	365-9326	797F		CTPC175-20005A	Out of Frame OH Gasket Set
					CTPC175-20005B	Inframe OH Set
					CTPC175-20005C	Cylinder Head Repl. Gasket Set
	LLM01-UP	365-9327, 365-9329	797F		CTPC175-20006A	Out of Frame OH Gasket Set
					CTPC175-20006B	Inframe OH Set
					CTPC175-20006C	Cylinder Head Repl. Gasket Set
	LLM01-UP	398-1020	797F		CTPC175-20007A	Out of Frame OH Gasket Set
					CTPC175-20007B	Inframe OH Set
					CTPC175-20007C	Cylinder Head Repl. Gasket Set
	LLM01-UP	421-3013, 421-3014	797F		CTPC175-20008A	Out of Frame OH Gasket Set
					CTPC175-20008B	Inframe OH Set
					CTPC175-20008C	Cylinder Head Repl. Gasket Set

# D330

Prefix	Serial No.	Arrangement	Application	Comments	Part Number	Description
02B	02B00001 02B00621, 02B00622-02B04363	7L-0305	INDUSTRIAL		CTPD330001A	Out of Frame OH Gasket Set
					CTPD330001B	Inframe OH Set
					CTPD330001C	Cylinder Head Repl. Gasket Set
04B	04B00001-04B06031	7L-0307, 7L-0308	INDUSTRIAL, MARINE		CTPD330002A	Out of Frame OH Gasket Set
					CTPD330002B	Inframe OH Set
					CTPD330002C	Cylinder Head Repl. Gasket Set
05B	05B00001-05B01196	7L-0307, 7L-0308	INDUSTRIAL, MARINE		CTPD330002A	Out of Frame OH Gasket Set
					CTPD330002B	Inframe OH Set
					CTPD330002C	Cylinder Head Repl. Gasket Set

# D342

Prefix	Serial No.	Arrangement	Application	Comments	Part Number	Description
50V	50V03000-UP	7N-3491	D8K TRACTOR		CTPD342001A	Out of Frame OH Gasket Set
					CTPD342001B	Inframe OH Set
					CTPD342001C	Cylinder Head Repl. Gasket Set

# D353

Prefix	Serial No.	Arrangement	Application	Comments	Part Number	Description
46B	46B06600-UP	7N-4374	INDUSTRIAL		CTPD353002A	Out of Frame OH Gasket Set
					CTPD353002B	Inframe OH Set
					CTPD353002C	Cylinder Head Repl. Gasket Set
	46B01870- 46B02438	4L-8610	D353C INDUSTRIAL		CTPD353003A	Out of Frame OH Gasket Set
					CTPD353003B	Inframe OH Set
					CTPD353003C	Cylinder Head Repl. Gasket Set
	46B02439- 46B06446	8L-3921	D353C INDUSTRIAL		CTPD353004A	Out of Frame OH Gasket Set
					CTPD353004B	Inframe OH Set
					CTPD353004C	Cylinder Head Repl. Gasket Set

Prefix	Serial No.	Arrangement	Application	Comments	Part Number	Description
47B	47B00470- 47B01779	4L-8620	D353C MARINE		CTPD353013A	Out of Frame OH Gasket Set
					CTPD353013B	Inframe OH Set
					CTPD353013C	Cylinder Head Repl. Gasket Set
	47B1780 - 47B4207	8L-3922	D353E MARINE		CTPD353014A	Out of Frame OH Gasket Set
					CTPD353014B	Inframe OH Set
					CTPD353014C	Cylinder Head Repl. Gasket Set
97U	97U00001- 97U07921	4N-5998	D9		CTPD353001A	Out of Frame OH Gasket Set
					CTPD353001B	Inframe OH Set
					CTPD353001C	Cylinder Head Repl. Gasket Set
	97U00001- 97U07921	4N-7590, 4N- 7592	D9H TRACTOR		CTPD353007A	Out of Frame OH Gasket Set
					CTPD353007B	Inframe OH Set
					CTPD353007C	Cylinder Head Repl. Gasket Set
	97U00001- 97U07921	4N-7665	594H PIPELAYER		CTPD353005A	Out of Frame OH Gasket Set
					CTPD353005B	Inframe OH Set
					CTPD353005C	Cylinder Head Repl. Gasket Set
	97U00001- 97U00092	5S-3997	D9H TRACTOR		CTPD353008A	Out of Frame OH Gasket Set
					CTPD353008B	Inframe OH Set
					CTPD353008C	Cylinder Head Repl. Gasket Set
	97U07922-UP	7N-3240, 7N- 3241, 7N-3242	D9H TRACTOR		CTPD353009A	Out of Frame OH Gasket Set
					CTPD353009B	Inframe OH Set
					CTPD353009C	Cylinder Head Repl. Gasket Set
	97U07922-UP	7N-3243	594H PIPELAYER		CTPD353006A	Out of Frame OH Gasket Set
					CTPD353006B	Inframe OH Set
					CTPD353006C	Cylinder Head Repl. Gasket Set
	97U01-UP	8S-3239	D9H TRACTOR		CTPD353010A	Out of Frame OH Gasket Set
					CTPD353010B	Inframe OH Set
					CTPD353010C	Cylinder Head Repl. Gasket Set
97U00001- 97U00041	8S-5384	D9H TRACTOR		CTPD353011A	Out of Frame OH Gasket Set	
				CTPD353011B	Inframe OH Set	
				CTPD353011C	Cylinder Head Repl. Gasket Set	
97U01-UP	9S-7117	D9H TRACTOR		CTPD353012A	Out of Frame OH Gasket Set	
				CTPD353012B	Inframe OH Set	
				CTPD353012C	Cylinder Head Repl. Gasket Set	

**3003**

Engine Serial No.	Machine Serial No.	Application	Overhaul Set
5DW1-UP	3YW	301.5 MINI HYD EXCAVATOR- ENG 3003	CTP3003001
	BDH	301.5 MINI HYD EXCAVATOR- ENG 3003	
	BFA	301.5 MINI HYD EXCAVATOR- ENG 3003	

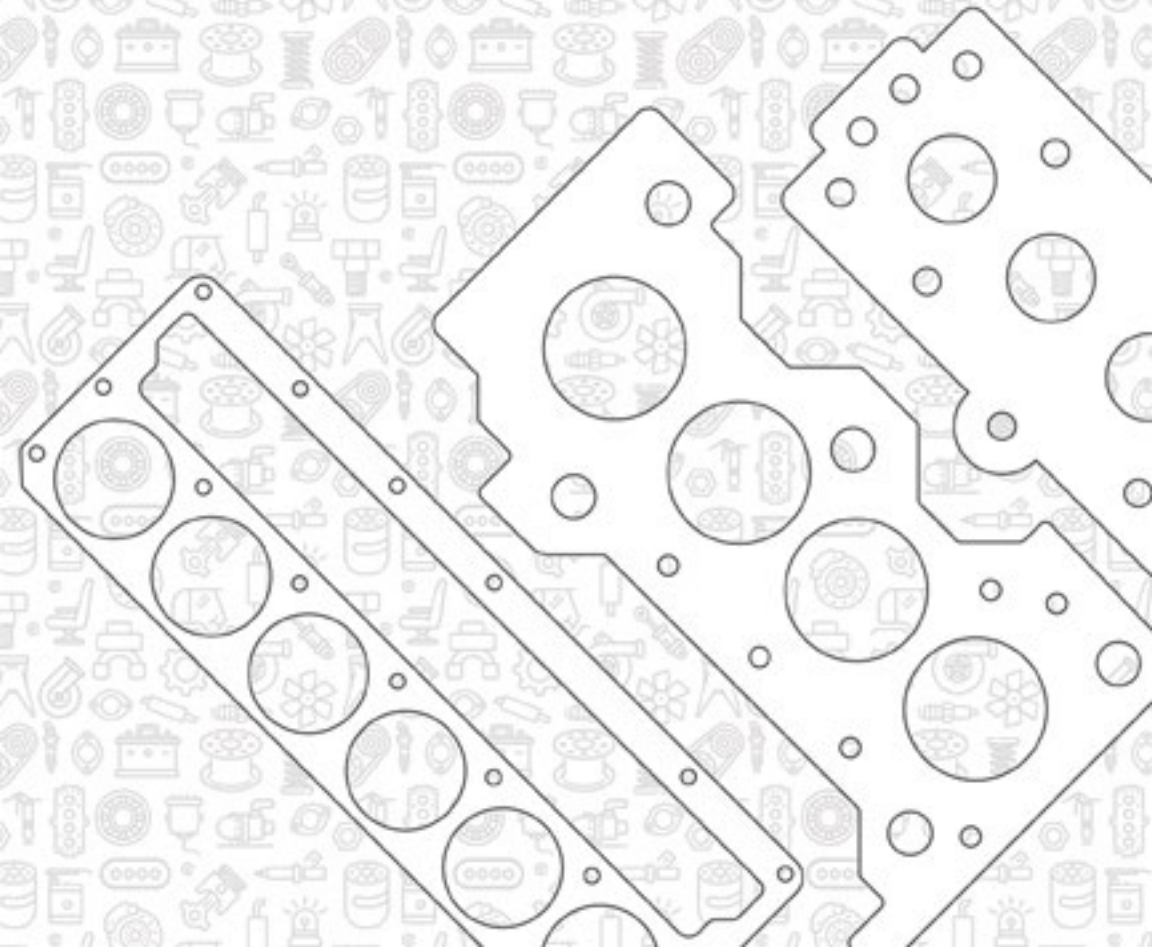
**3013**

Engine Serial No.	Machine Serial No.	Application	Overhaul Set
9TJ1-UP	AFW	303.5 MINI HYD EXCAVATOR	CTP3013001
	DCH	303.5 MINI HYD EXCAVATOR	
4ZW1-UP	4AZ	302.5 MINI HYD EXCAVATOR	

**3046**

Engine Serial No.	Machine Serial No.	Application	Overhaul Set
5XK1-UP	1FW	D4C III TRACK-TYPE TRACTOR	CTP3046001
5XK1-UP	4LS	D4C III TRACK-TYPE TRACTOR	
5XK1-UP	4YM	315 EXCAVATOR	
5XK1-UP	5HS	D5C III TRACK-TYPE TRACTOR	
5XK1-UP	6BS	D4C III TRACK-TYPE TRACTOR	
5XK1-UP	6CS	D5C III TRACK-TYPE TRACTOR	
5XK1-UP	6YL	D4C III TRACK-TYPE TRACTOR	
5XK1-UP	6YM	315 L EXCAVATOR	
5XK1-UP	6ZL	D5C III TRACK-TYPE TRACTOR	
5XK1-UP	7PS	D5C III TRACK-TYPE TRACTOR	
5XK1-UP	7SL	D4C III TRACK-TYPE TRACTOR	
5XK1-UP	8CS	D4C III TRACK-TYPE TRACTOR	
5XK1-UP	8ZS	D5C III TRACK-TYPE TRACTOR	
5XK1-UP	9DL	D5C III TRACK-TYPE TRACTOR	
5XK1-UP, MHK1-UP	FDC	D4G TRACK-TYPE TRACTOR	
5XK1-UP	FDH	D5C III TRACK-TYPE TRACTOR	
5XK1-UP	FDW	D5C III TRACK-TYPE TRACTOR	
5XK1-UP, MHK1-UP	HYD	D4G TRACK-TYPE TRACTOR	
MHK1-UP	RKG	D5G TRACK-TYPE TRACTOR	
5XK1-UP, MHK1-UP	TLX	D4G TRACK-TYPE TRACTOR	
MHK1-UP	WGB	D5G TRACK-TYPE TRACTOR	

**SMALL ENGINE OVERHAUL GASKET KITS**





# SMALL ENGINE GASKET SETS

## 3054

Serial No.	Application	Overhaul Set
1CR01-01085	426C BACKHOE LOADER	CTP3054003
1ER01-UP	426C BACKHOE LOADER	CTP3054002
1FR01-01421	436C BACKHOE LOADER	CTP3054005
1JR01-01155	438C BACKHOE LOADER	CTP3054006
1MR01-01179	426C BACKHOE LOADER	CTP3054002
1NR01-UP	426C BACKHOE LOADER	CTP3054002
1PR01-01815	436C BACKHOE LOADER	CTP3054005
1RR01-UP	436C BACKHOE LOADER	CTP3054005
1TR01-02096	438C BACKHOE LOADER	CTP3054005
1WR01-10736	416C BACKHOE LOADER	CTP3054003
1XR01-02261	416C BACKHOE LOADER	CTP3054003
1YR01-02191	426C BACKHOE LOADER	CTP3054002
1ZR01-01017	426C BACKHOE LOADER	CTP3054002
2AR01-01874	436C BACKHOE LOADER	CTP3054005
2BR01-UP	436C BACKHOE LOADER	CTP3054005
2CR01-UP	428C BACKHOE LOADER	CTP3054002
2DR01-03741	438C BACKHOE LOADER	CTP3054005
3DJ01-UP	438 BACKHOE LOADER	CTP3054009
3KK01-UP	438B BACKHOE LOADER	CTP3054001
4ZN01-50156	416C BACKHOE LOADER	CTP3054005
5HK1-UP	315 EXCAVATOR	CTP3054010
5KF01-UP	436 BACKHOE LOADER	CTP3054009
5PC01-UP	416 BACKHOE LOADER	CTP3054009
5YN01-UP	416C BACKHOE LOADER	CTP3054002
6MJ01-UP	436B BACKHOE LOADER	CTP3054001
6TC01-UP	428 BACKHOE LOADER	CTP3054009
6XN01-04980	426C BACKHOE LOADER	CTP3054003
7BC01-UP	426 BACKHOE LOADER	CTP3054009
7FL01-UP	436B BACKHOE LOADER	CTP3054001
7WN01-01110	426C BACKHOE LOADER	CTP3054002
8RN01-UP	428C BACKHOE LOADER	CTP3054003
8SG01-14798	416B BACKHOE LOADER	CTP3054001
8TN01-01315	436C BACKHOE LOADER	CTP3054005
8ZK01-11031	416B BACKHOE LOADER	CTP3054001
9JN01-UP	436C BACKHOE LOADER	CTP3054003
9KN01-01418	438C BACKHOE LOADER	CTP3054005
B2D01-UP	416D BACKHOE LOADER	CTP3054008

# SMALL ENGINE GASKET SETS

Serial No.	Application	Overhaul Set
BFP01-UP	416D BACKHOE LOADER	CTP3054004
BGJ01-UP	416D BACKHOE LOADER	CTP3054004
BGP01-01612	424D BACKHOE LOADER	CTP3054004
BKC01-UP	420D BACKHOE LOADER	CTP3054002
BKG01-UP	416D BACKHOE LOADER	CTP3054004
BKR01-00562	424D BACKHOE LOADER	CTP3054004
BLD01-03844	432D BACKHOE LOADER	CTP3054002
BLN01-UP	420D BACKHOE LOADER	CTP3054002
BMC01-UP	420D BACKHOE LOADER	CTP3054002
BML01-UP	430D BACKHOE LOADER	CTP3054002
BNK01-UP	430D BACKHOE LOADER	CTP3054002
BPE01-00742	438D BACKHOE LOADER	CTP3054002
BPN01-00549	438D BACKHOE LOADER	CTP3054002
BRG01-01122	442D BACKHOE LOADER	CTP3054002
BRY01-00890	442D BACKHOE LOADER	CTP3054002
BXC01-UP	428D BACKHOE LOADER	CTP3054008
BXE01-UP	432E BACKHOE LOADER	CTP3054007
CBD01-UP	416E BACKHOE LOADER	CTP3054008
CJZ01-UP	424D BACKHOE LOADER	CTP3054008
CXP01-UP	416D BACKHOE LOADER	CTP3054004
DDT01-UP	430E BACKHOE LOADER	CTP3054008
DSX01-UP	428D BACKHOE LOADER	CTP3054008
EAT	430E BACKHOE LOADER	CTP3054008
ELB01-UP	414E BACKHOE LOADER	CTP3054008
FDP01-UP	420D BACKHOE LOADER	CTP3054002
FSH	434E BACKHOE LOADER	CTP3054008
GAN01-UP	420E BACKHOE LOADER	CTP3054008
GKZ01-UP	442E BACKHOE LOADER	CTP3054008
HBE01-UP	422E BACKHOE LOADER	CTP3054008
HLS01-UP	420E BACKHOE LOADER	CTP3054008
JBA	432E BACKHOE LOADER	CTP3054008
KMW01-UP	420E BACKHOE LOADER	CTP3054008
LBE01-UP	444E BACKHOE LOADER	CTP3054008
LDH	434F BACKHOE LOADER	CTP3054008
LDY	430F BACKHOE LOADER	CTP3054008
LNH	430F BACKHOE LOADER	CTP3054008
LNR	432F BACKHOE LOADER	CTP3054008
LYD	430F2 BACKHOE LOADER	CTP3054008
LYE	430F2 BACKHOE LOADER	CTP3054008

## SMALL ENGINE GASKET SETS

Serial No.	Application	Overhaul Set
LYK	434F2 BACKHOE LOADER	CTP3054008
MBH01-UP	420D BACKHOE LOADER	CTP3054008
MBM01-UP	428D BACKHOE LOADER	CTP3054008
MFG01-UP	416E BACKHOE LOADER	CTP3054008
RXA01-UP	424D BACKHOE LOADER	CTP3054008
RXS	432E BACKHOE LOADER	CTP3054008
SEF	434E BACKHOE LOADER	CTP3054008
SHA01-UP	416E BACKHOE LOADER	CTP3054008
SJL	434E BACKHOE LOADER	CTP3054008
SMJ01-UP	442D BACKHOE LOADER	CTP3054008
SNL01-UP	428E BACKHOE LOADER	CTP3054008
SXB	434E BACKHOE LOADER	CTP3054008
TBD01-UP	442D BACKHOE LOADER	CTP3054008
TDR	432D BACKHOE LOADER	CTP3054008
WEP	432D BACKHOE LOADER	CTP3054008

## 3056

Serial No.	Application	Overhaul Set
CPT01-UP ENGINE	MACHINE	CTP3056001
ASA01-UP	CS-563E CP-563E VIBRATORY COMPACTOR	
ASB01-UP	CS-663E CP-663E VIBRATORY COMPACTOR	
ASF01-UP	CS-663E CP-663E VIBRATORY COMPACTOR	
ASG01-UP	CS-683E VIBRATORY COMPACTOR	
ASY01-UP	CS-573E CP-573E VIBRATORY COMPACTOR	
ASZ01-UP	CP-573E VIBRATORY COMPACTOR	
AYP01-UP	AP-655C ASPHALT PAVER	
B2B01-UP	3056 ENGINE FOR AP-600, BB-760 ASPHALT PAVER	
BCZ01-UP	M318C EXCAVATOR	
BDK01-UP	M322C EXCAVATOR	
BDX01-UP	M316C EXCAVATOR	
BEB01-UP	M318C MATERIAL HANDLER	
BWE01-UP	CS-563E CP-563E VIBRATORY COMPACTOR	
CDG01-UP	AP-655C.BG-2255C ASPHALT PAVER	
CEB01-UP	CS-573E CP-573E VIBRATORY COMPACTOR	
CNG01-UP	CS-563E CP-563E VIBRATORY COMPACTOR	
CNX01-UP	CS-583E CP-583E VIBRATORY COMPACTOR	
CZZ01-UP	574B FORWARDER	

## SMALL ENGINE GASKET SETS

Serial No.	Application	Overhaul Set
DAD01-UP	CS-683E VIBRATORY COMPACTOR	CTP3056001
DAF01-UP	CS-663E CP-663E VIBRATORY COMPACTOR	
DAG01-UP	CS-663E CP-663E VIBRATORY COMPACTOR	
DAJ01-UP	CS-583E VIBRATORY COMPACTOR	
DBT01-UP	928G WHEEL LOADER AND IT28G INTEGRATED TOOLCARRIER	
DDA01-UP	924G 924GZ WHEEL LOADER	
DFZ01-UP	924G 924GZ WHEEL LOADER	
DJD01-UP	928G WHEEL LOADER AND IT28G INTEGRATED TOOLCARRIER	
EFW01-UP	IT28G INTEGRATED TOOLCARRIER	
H2C01-UP	M316C EXCAVATOR	
H2D01-UP	M318C EXCAVATOR	
H2G01-UP	M322C EXCAVATOR	
KBN01-UP	564 FORWARDER	
MCP01-UP	CS-563E COMPACTOR-MILITARY	
RBB01-UP	924G 924GZ WHEEL LOADER	
RLS01-UP	574B FORWARDER	
SAW01-UP	550B WHEEL HARVESTER	
TRA01-UP	550B WHEEL HARVESTER	
TWR01-UP	930G WHEEL LOADER	
WLG01-UP	928G WHEEL LOADER AND IT28G INTEGRATED TOOLCARRIER	

## 3066

Engine Serial No.	Machine Serial No.	Application	Overhaul Set
7JK1-UP	GNG	320C EXCAVATOR	CTP3066001
7JK6000-UP	GAD	320C EXCAVATOR	
	MAC	320C EXCAVATOR	
	CXY	320D EXCAVATOR	
	DHK	320D L EXCAVATOR	
	EBY	320D LRR EXCAVATOR	
	FXK	320D LRR EXCAVATOR	
	GKL	320D RR EXCAVATOR	
MAE1-UP; 7JK1-UP	HKT	320C EXCAVATOR	
	RAW	320C EXCAVATOR	
	EAG	320C L EXCAVATOR	
	SBN	320C EXCAVATOR	

## C4.4

Serial No.	Application	Overhaul Set
DSK01-UP	422E BACKHOE LOADER	CTPC4.4001
DXC01-UP	428E BACKHOE LOADER	
EME01-UP	442E BACKHOE LOADER	
HXB01-UP	444E BACKHOE LOADER	
JBA01-UP	432E BACKHOE LOADER	
LBH01-UP	428F BACKHOE LOADER	
LDH01-UP	434F BACKHOE LOADER	
LDY01-UP	430F BACKHOE LOADER	
LJJ01-UP	444F BACKHOE LOADER	
LKH01-UP	420F BACKHOE LOADER	
LNH01-H	430F BACKHOE LOADER	
LNRO1-UP	432F BACKHOE LOADER	
LRH01-UP	422F BACKHOE LOADER	
LTG01-UP	420F BACKHOE LOADER	
LWT01-UP	416F BACKHOE LOADER	
LYC01-UP	420F2 BACKHOE LOADER	
LYD01-UP	430F2 BACKHOE LOADER	
LYE01-UP	430F2 BACKHOE LOADER	
LYF01-UP	422F2 BACKHOE LOADER	
LYG01-UP	428F2 BACKHOE LOADER	
LYK01-UP	434F2 BACKHOE LOADER	
LYL01-UP	444F2 BACKHOE LOADER	
NBA01-UP	444E BACKHOE LOADER	
PCR01-UP	442E BACKHOE LOADER	
RXS01-UP	432E BACKHOE LOADER	
SEF01-UP	434E BACKHOE LOADER	
SJL01-UP	434E BACKHOE LOADER	
SXB01-UP	434E BACKHOE LOADER	

## C6.4

Serial No.	Application	Overhaul Set
BZP	320D EXCAVATOR	CTPC6.4001
FAL	320D EXCAVATOR	
JFZ	320D EXCAVATOR	
JPD	320D EXCAVATOR	

Serial No.	Application	Overhaul Set
KHN	320D FM EXCAVATOR	CTPC6.4001
PCM	320D GC EXCAVATOR	
MGG	320D L EXCAVATOR	
PHX	320D L EXCAVATOR	
SPN	320D L EXCAVATOR	



# TORQUE SPECIFICATIONS

NOTE: Please verify with the original equipment manufacturer torque specifications

<b>3013</b>	DISPLACEMENT: 1.5L / 91 cu.in.
	BORE: 3.3071-3.3078" (84.000-84.019 MM)
	STROKE: 3.543" (90.00 mm)
<b>Torque Specifications</b>	<b>Torque all bolts in OE recommended sequence (Apply oil to bolt threads to ensure proper torque)</b>
Main Bearing Caps	38 FT/LBS, 20 FT/LBS HEX HOLE BOLTS, 38 FT/LBS HEX BOLTS
Connecting Rods	38 FT/LBS
Cylinder Head	Step 1: Tighten bolts in proper sequence to 40 FT/LBS
	Step 2: Tighten bolts in proper sequence to 72-76 FT/LBS
	Step 3: repeat 72-76 FT/LBS
Intake Valve Lash	.008" (.2032 mm) COLD
Exhaust Valve Lash	.008" (.2032 mm) COLD

<b>3014</b>	DISPLACEMENT: 2.0L / 122 cu.in.
	BORE: 3.3071-3.3078"
	STROKE: 3.543" (90.000 MM)
<b>Torque Specifications</b>	<b>Torque all bolts in OE recommended sequence (Apply oil to bolt threads to ensure proper torque)</b>
Main Bearing Caps	38 FT/LBS, 20 FT/LBS HEX HOLE BOLTS, 38 FT/LBS HEX BOLTS
Connecting Rods	38 FT/LBS
Cylinder Head	Step 1: Tighten bolts in proper sequence to 40 FT/LBS
	Step 2: Tighten bolts in proper sequence to 72-76 FT/LBS
	Step 3: Repeat tighten bolts in proper sequence to 72-76 FT/LBS
Intake Valve Lash	.008" (.2032 mm) COLD
Exhaust Valve Lash	.008" (.2032 mm) COLD

<b>3024</b>	DISPLACEMENT: 2.2L / 135 cu.in.
	BORE: 3.307" (84.00 mm)
	STROKE: 3.937" (100.00 mm)
<b>Torque Specifications</b>	<b>Torque all bolts in OE recommended sequence (Apply oil to bolt threads to ensure proper torque)</b>
Main Bearing Caps	38 FT/LBS, RETAINING BOLTS: 20 FT/LBS HEX HOLE, 38 FT/LBS HEX
Connecting Rods	38 FT/LBS
Cylinder Head	Step 1: Tighten bolts in proper sequence to 40 FT/LBS
	Step 2: Tighten bolts in proper sequence to 72-76 FT/LBS
	Step 3: Repeat tighten bolts in proper sequence to 72-76 FT/LBS
Intake Valve Lash	.008" (.2032 mm) COLD
Exhaust Valve Lash	.008" (.2032 mm) COLD

# TORQUE SPECIFICATIONS

<b>3046</b>	DISPLACEMENT: 5.0L / 305 cu.in.
	BORE: 3.701" (94.00 mm)
	STROKE: 4.724" (120.00 mm)
<b>Torque Specifications</b>	<b>Torque all bolts in OE recommended sequence (Apply oil to bolt threads to ensure proper torque)</b>
Main Bearing Caps	72-80 FT/LBS
Connecting Rods	36-44 FT/LBS
Cylinder Head	Step 1: Tighten bolts in proper sequence to 40 FT/LBS
	Step 2: Tighten bolts in proper sequence to 83-91 FT/LBS
	Step 3: Repeat tighten bolts in proper sequence to 83-91 FT/LBS
Intake Valve Lash	.010" (.254 mm) COLD
Exhaust Valve Lash	.010" (.254 mm) COLD

<b>3054</b>	DISPLACEMENT: 4.4L / 268 cu.in.
	BORE: 4.134" (105.00 mm)
	STROKE: 5.000" (127.00 mm)
<b>Torque Specifications</b>	<b>Torque all bolts in OE recommended sequence (Apply oil to bolt threads to ensure proper torque)</b>
Main Bearing Caps	196 FT/LBS FOR 5/8" Bolts
Connecting Rods	90 FT/LBS
Cylinder Head	Step 1: Tighten all bolts in proper sequence to 80 FT/LBS
	Step 2: Short bolts rotate each an additional 150° degrees
	Step 3: Medium bolts rotate each an additional 180° degrees
	Step 4: Long bolts rotate each an additional 220° degrees
Intake Valve Lash	.008" (.203 MM) COLD
Exhaust Valve Lash	.018" (.457 MM) COLD

<b>3056</b>	DISPLACEMENT: 6.0L / 365 cu.in.
	BORE: 3.937" (100.00 mm)
	STROKE: 5.000" (127.00 mm)
<b>Torque Specifications</b>	<b>Torque all bolts in OE recommended sequence (Apply oil to bolt threads to ensure proper torque)</b>
Main Bearing Caps	185 FT/LBS
Connecting Rods	Flat and serrated rods 92 FT/LBS -
	Fractured rods 13 FT/LBS, 52 FT/LBS + rotate each bolt an additional 120° degrees
Cylinder Head	Tighten bolts in proper sequence to 80 FT/LBS, + short bolts + 150° degrees, medium + 180° degrees, long + 220° degrees
Intake Valve Lash	.008" (.203 MM) COLD
Exhaust Valve Lash	.018" (.457 MM) COLD

# TORQUE SPECIFICATIONS

<b>3064</b>	DISPLACEMENT: 4.2L / 259.2 cu. in.
	BORE: 4.016 (102.00) mm
	STROKE: 5.118 (130.00) mm
<b>Torque Specifications</b>	<b>Torque all bolts in OE recommended sequence (Apply oil to bolt threads to ensure proper torque)</b>
Main Bearing Caps	97-105 FT/LBS
Connecting Rods	72-80 FT/LBS
Cylinder Head	Tighten bolts in proper sequence to 83-91 FT/LBS
Intake Valve Lash	.010" (.254 mm) COLD
Exhaust Valve Lash	.010" (.254 mm) COLD

<b>3066</b>	DISPLACEMENT: 6.3L / 388.9 cu. in.
	BORE: 4.016 (102.00) mm
	STROKE: 5.118 (130.00) mm
<b>Torque Specifications</b>	<b>Torque all bolts in OE recommended sequence (Apply oil to bolt threads to ensure proper torque)</b>
Main Bearing Caps	97-105 FT/LBS
Connecting Rods	72-80 FT/LBS
Cylinder Head	Tighten bolts in proper sequence to 83-91 FT/LBS
Intake Valve Lash	.010" (.254 mm) COLD
Exhaust Valve Lash	.010" (.254 mm) COLD

<b>3114</b>	DISPLACEMENT: 4.3L / 268.4 cu. in.
	BORE: 4.134 (105.00) mm
	STROKE: 5.000 (127.00) mm
<b>Torque Specifications</b>	<b>Torque all bolts in OE recommended sequence (Apply oil to bolt threads to ensure proper torque)</b>
Main Bearing Caps	35-45 FT/LBS, + rotate each bolt in sequence an additional 90° degrees
Connecting Rods	Conventional Rod: 35-45 FT/LBS, + rotate each bolt additional 60° degrees
	Fractured Rod Torque 48-56 FT/LBS, + rotate each bolt in sequence an additional 120°
Cylinder Head	Step 1: Tighten bolts in proper sequence to 99-121 FT/LBS
	Step 2: Tighten bolts in proper sequence to 305-335 FT/LBS
	Step 3: Tighten small bolts 36-46 FT/LBS
Intake Valve Lash	.015" (.381 mm) COLD
Exhaust Valve Lash	.025" (.635 mm) COLD

# TORQUE SPECIFICATIONS

<b>3116</b>	DISPLACEMENT: 6.5L / 402.6 cu. in.
	BORE: 4.134 (105.00) mm
	STROKE: 5.000 (127.00) mm
<b>Torque Specifications</b>	<b>Torque all bolts in OE recommended sequence (Apply oil to bolt threads to ensure proper torque)</b>
Main Bearing Caps	35-45 FT/LBS + rotate each bolt an additional 90°
Connecting Rods	Conventional Rod: 35-45 FT/LBS, + rotate each bolt an additional 60° degrees
	Fractured Rod Torque 48-56 FT/LBS, + rotate each bolt in sequence an additional 120°
Cylinder Head	Step 1: Tighten bolts in proper sequence to 99-121 FT/LBS
	Step 2: Tighten bolts in proper sequence to 305-335 FT/LBS
	Step 3: Tighten small bolts 36-46 FT/LBS
Intake Valve Lash	.015" (.381 mm) COLD
Exhaust Valve Lash	.025" (.635 mm) COLD

<b>3126</b>	DISPLACEMENT: 7.2L / 441.9 cu. in.
	BORE: 4.331 (110.00) mm
	STROKE: 5.000 (127.00) mm
<b>Torque Specifications</b>	<b>Torque all bolts in OE recommended sequence (Apply oil to bolt threads to ensure proper torque)</b>
Main Bearing Caps	35-45 FT/LBS, + Rotate each bolt an additional 90°
Connecting Rods	Conventional Rod: 35-45 FT/LBS, + rotate each bolt an additional 60° degrees
	Fractured Rod Torque 48-56 FT/LBS, + rotate each bolt an additional 120°
Cylinder Head	Step 1: Tighten bolts in proper sequence to 99-121 FT/LBS
	Step 2: Tighten bolts in proper sequence to 305-335 FT/LBS
	Step 3: Tighten small bolts 36-46 FT/LBS
Intake Valve Lash	.012-.018" (.305 -.457 mm) COLD
Exhaust Valve Lash	.022-.028" (.559 - .711 mm) COLD

<b>3176</b>	DISPLACEMENT: 10.3L / 629 cu. in.
	BORE: 4.921 (125.00) mm
	STROKE: 5.512 (140.00) mm
<b>Torque Specifications</b>	<b>Torque all bolts in OE recommended sequence (Apply oil to bolt threads to ensure proper torque)</b>
Main Bearing Caps	66-74 FT/LBS, + rotate each bolt an additional 90° degrees
Connecting Rods	90-100 FT/LBS, + rotate each bolt an additional 60° degrees
Cylinder Head	Step 1: Tighten bolts 1-26 in proper sequence to 120 FT/LBS
	Step 2: Tighten bolts 1-26 in proper sequence to 189-211 FT/LBS
	Step 3: Tighten bolts 1-26 repeat in sequence to 189-211 FT/LBS
	Step 4: Tighten bolts #27-33 13-23 FT/LBS, ROCKER SHAFT BOLT 66-74,FT/LBS
	Step 5: Tighten rocker shaft bolts 66-74,FT/LBS
Intake Valve Lash	.015" (.381 mm) COLD
Exhaust Valve Lash	.025" (.635 mm) COLD

# TORQUE SPECIFICATIONS

<b>3196</b>	DISPLACEMENT: 11.9L / 728.9 cu. in.
	BORE: 5.118 (130.00) mm
	STROKE: 5.906 (150.00) mm
<b>Torque Specifications</b>	<b>Torque all bolts in OE recommended sequence (Apply oil to bolt threads to ensure proper torque)</b>
Main Bearing Caps	71-74 FT/LBS, + Rotate each bolt an additional 90°
Connecting Rods	75-85 FT/LBS + Rotate each bolt an additional 60° degrees
Cylinder Head	Step 1: Tighten bolts 1-26 to 120 FT/LBS
	Step 2: Re-tighten bolts 1-26 in sequence to 120 FT/LBS
	Step 3: rotate each bolt in sequence an additional 90° degrees
	Step 4: Loosen all bolts (washers should be loose under bolts).
	Step 5: repeat steps 2, 3, 4.
	Step 6: Tighten bolts 27-33 in proper sequence to 20 FT/LBS
Intake Valve Lash	.015" (.381 mm) COLD
Exhaust Valve Lash	.025" (.635 mm) COLD

<b>3204</b>	DISPLACEMENT: 5.2L / 318 cu. in.
	BORE: 4.500 (114.30) mm
	STROKE: 5.000 (127.00) mm
<b>Torque Specifications</b>	<b>Torque all bolts in OE recommended sequence (Apply oil to bolt threads to ensure proper torque)</b>
Main Bearing Caps	45 FT/LBS, + rotate each bolt an additional 60° degrees
Connecting Rods	30 FT/LBS, + rotate each bolt an additional 60° degrees
Cylinder Head	Step 1: 1/2" Bolts torque to 60 FT/LBS
	Step 2: 1/2" Bolts torque to 110 FT/LBS
	Step 3: 3/8" Small Bolts 32-37 FT/LBS
Intake Valve Lash	.015" (.381 mm) COLD
Exhaust Valve Lash	.025" (.635 mm) COLD

<b>3208</b>	DISPLACEMENT: 10.4L / 636.1 cu. in.
	BORE: 4.500 (114.30) mm
	STROKE: 5.000 (127.00) mm
<b>Torque Specifications</b>	<b>Torque all bolts in OE recommended sequence (Apply oil to bolt threads to ensure proper torque)</b>
Main Bearing Caps	27-33 FT/LBS, + rotate each bolt an additional 120° degrees
Connecting Rods	27-33 FT/LBS, + rotate each bolt an additional 60° degrees
Cylinder Head	Step 1: Bolts 1-18 "6" dash bolts Torque 90-100 FT/LBS / "7" dash bolts Torque 105-115 FT/LBS
	Step 2: Loosen Bolts 1-18 Completely
	Step 3: Bolts 1-18 "6" dash bolts Torque 50-70 FT/LBS / "7" dash bolts Torque 50-70 FT/LBS
	Step 4: Bolts 1-10 "6" dash bolts Torque 90-100 FT/LBS / "7" dash bolts Torque 105-115 FT/LBS
	Step 5: Bolts 1-10 Again "6" dash bolts Torque 90-100 FT/LBS / "7" dash bolts Torque 115-125 FT/LBS
	Step 6: Bolts 19-22 "6" dash bolts Torque 27-37 FT/LBS / "7" dash bolts Torque 27-37 FT/LBS
Intake Valve Lash	.015" (.381 mm) COLD
Exhaust Valve Lash	.025" (.635 mm) COLD

# TORQUE SPECIFICATIONS

<b>3304</b>	DISPLACEMENT: 6.9L / 425.2 cu. in.
	BORE: 4.750 (120.65) mm
	STROKE: 6.000 (152.40) mm
<b>Torque Specifications</b>	<b>Torque all bolts in OE recommended sequence (Apply oil to bolt threads to ensure proper torque)</b>
Main Bearing Caps	30 FT/LBS + rotate each bolt an additional 90° degrees
Connecting Rods	30 FT/LBS + rotate each bolt an additional 90° degrees
Cylinder Head	Step 1: torque 115 FT/LBS / 3/8 bolts: 22 FT/LBS
	Step 2: torque 175 FT/LBS / 3/8 bolts: 32 FT/LBS
	Step 3: repeat torque 175 FT/LBS / 3/8 bolts: 32 FT/LBS
Intake Valve Lash	.015" (.381 mm) COLD
Exhaust Valve Lash	.025" (.635 mm) COLD

<b>3306</b>	DISPLACEMENT: 10.4L / 637.9 cu. in.
	BORE: 4.750 (120.65) mm
	STROKE: 6.000 (152.40) mm
<b>Torque Specifications</b>	<b>Torque all bolts in OE recommended sequence (Apply oil to bolt threads to ensure proper torque)</b>
Main Bearing Caps	40 FT/LBS + rotate each bolt an additional 90° degrees
Connecting Rods	30 FT/LBS + rotate each bolt an additional 90° degrees
Cylinder Head	Step 1: torque 115 FT/LBS / 3/8 bolts: 22 FT/LBS
	Step 2: torque 175 FT/LBS / 3/8 bolts: 32 FT/LBS
	Step 3: repeat torque 175 FT/LBS / 3/8 bolts: 32 FT/LBS
Intake Valve Lash	.015" (.381 mm) COLD
Exhaust Valve Lash	.025" (.635 mm) COLD

<b>3406</b>	DISPLACEMENT: 14.6L / 893.1 cu. in.
	BORE: 5.400 (137.16) mm
	STROKE: 6.500 (165.10) mm
<b>Torque Specifications</b>	<b>Torque all bolts in OE recommended sequence (Apply oil to bolt threads to ensure proper torque)</b>
Main Bearing Caps	180-200 FT/LBS + rotate each bolt an additional 115-125° degrees
Connecting Rods	54-66 FT/LBS + rotate each bolt an additional 115-125° degrees
Cylinder Head	Step 1: Tighten bolts 1 through 20 in sequence to 200 FT/LBS
	Step 2: Tighten bolts 1 through 20 in sequence to 330 FT/LBS
	Step 3: Re-tighten bolts 1 through 20 in sequence to 330 FT/LBS
	Step 4: Install the rocker arm shaft assembly.
	Step 5: Tighten bolts 21 through 26 in sequence to 200 FT/LBS
	Step 6: Tighten bolts 21 through 26 in sequence to 330 FT/LBS
	Step 7: Re-tighten bolts 21 through 26 in sequence to 330 FT/LBS
	Step 8: Tighten the twelve 3/8" bolts to 32 FT/LBS
Intake Valve Lash	.015" (.381 mm) COLD
Exhaust Valve Lash	.030" (.762 mm) COLD

# TORQUE SPECIFICATIONS

<b>3408</b>	DISPLACEMENT: 18L / 1099.3 cu. in.
	BORE: 5.400 (137.16) mm
	STROKE: 6.000 (152.40) mm
<b>Torque Specifications</b>	<b>Torque all bolts in OE recommended sequence (Apply oil to bolt threads to ensure proper torque)</b>
Main Bearing Caps	180-200 FT/LBS, + rotate each bolt an additional 120° degrees
Connecting Rods	60 FT/LBS + rotate each bolt an additional 120° degrees
Cylinder Head	Step 1: Tighten bolts in sequence to 180 - 220 lbs.ft.
	Step 2: Tighten bolts in sequence to 315 - 345 lbs.ft.
	Step 3: Re-tighten bolts in sequence to 315 - 345 lbs.ft.
	Step 4: Tighten small bolts to 27 - 37 lbs.ft.
Intake Valve Lash	.015" (.381 mm) COLD
Exhaust Valve Lash	.030" (.762 mm) COLD

<b>3412</b>	DISPLACEMENT: 27L / 1648.9 cu. in.
	BORE: 5.400 (137.16) mm
	STROKE: 6.000 (152.40) mm
<b>Torque Specifications</b>	<b>Torque all bolts in OE recommended sequence (Apply oil to bolt threads to ensure proper torque)</b>
Main Bearing Caps	180-200 FT/LBS, + rotate each bolt an additional 120° degrees
Connecting Rods	54-66 FT/LBS, + rotate each bolt an additional 120° degrees
Cylinder Head	Step 1: Tighten bolts from 1 to 20 in number sequence to 180-220 FT/LBS
	Step 2: Tighten bolts from 1 to 20 in number sequence to 315-345 FT/LBS
	Step 3: Tighten bolts from 1 to 20 in number sequence to 315-345 FT/LBS
	Step 4: Install rocker shaft with rocker arms and place bolts 21-26 in their proper locations.
	Step 5: Tighten bolts from 21 to 26 in number sequence to 180-220 FT/LBS
	Step 6: Tighten bolts from 21 to 26 in number sequence to 315-345 FT/LBS
	Step 7: Tighten bolts from 21 to 26 in number sequence to 315-345 FT/LBS
	Step 8: Tighten the thirteen small bolts to 27-37 FT/LBS
Intake Valve Lash	.015" (.381 mm) COLD
Exhaust Valve Lash	.030" (.762 mm) COLD

# TORQUE SPECIFICATIONS

<b>3508</b>	DISPLACEMENT: 34.5L / 2105.3 cu. in.
	BORE: 6.693 (170.00) mm
	STROKE: 7.480 (190.00) mm
<b>Torque Specifications</b>	<b>Torque all bolts in OE recommended sequence (Apply oil to bolt threads to ensure proper torque)</b>
Main Bearing Caps	90-110 FT/LBS + rotate each bolt an additional 180° degrees
	3/4" bolts: 90-110 FT/LBS + rotate each bolt an additional 215° degrees
	7/8" bolts: 130-150 FT/LBS + rotate each bolt an additional 180° degrees
Connecting Rods	61-69 FT/LBS, + rotate each bolt an additional 90° degrees
Cylinder Head	Step 1: Tighten all bolts in sequence to 22 FT/LBS
	Step 2: Tighten bolts 1 to 8 in sequence to 200 FT/LBS
	Step 3: Tighten bolts 1 to 8 in sequence to 330 FT/LBS
Intake Valve Lash	.012-.018" (.304-.457 mm) COLD
Exhaust Valve Lash	.027-.033" (.680-.840 MM) COLD

<b>3512</b>	DISPLACEMENT: 51.7L / 3158 cu. in.
	BORE: 6.693 (170.00) mm
	STROKE: 7.480 (190.00) mm
<b>Torque Specifications</b>	<b>Torque all bolts in OE recommended sequence (Apply oil to bolt threads to ensure proper torque)</b>
Main Bearing Caps	90-110 FT/LBS + rotate each bolt an additional 180° degrees
	3/4" bolts: 90-110 FT/LBS + rotate each bolt an additional 215° degrees
	7/8" bolts: 130-150 FT/LBS + rotate each bolt an additional 180° degrees
Connecting Rods	61-69 FT/LBS, + 90° degrees
Cylinder Head	Step 1: Tighten all bolts in sequence to 22 FT/LBS
	Step 2: Tighten bolts 1 to 8 in sequence to 200 FT/LBS
	Step 3: Tighten bolts 1 to 8 in sequence to 330 FT/LBS
Intake Valve Lash	.012-.018" (.304-.457 mm) COLD
Exhaust Valve Lash	.027-.033" (.680-.840 MM) COLD

<b>3516</b>	DISPLACEMENT: 69L / 4210.7 cu. in.
	BORE: 6.693 (170.00) mm
	STROKE: 7.480 (190.00) mm
<b>Torque Specifications</b>	<b>Torque all bolts in OE recommended sequence (Apply oil to bolt threads to ensure proper torque)</b>
Main Bearing Caps	90-110 FT/LBS + rotate each bolt an additional 180° degrees
	3/4" bolts: 90-110 FT/LBS + rotate each bolt an additional 215° degrees
	7/8" bolts: 130-150 FT/LBS + rotate each bolt an additional 180° degrees
Connecting Rods	61-69 FT/LBS, + 90° degrees
Cylinder Head	Step 1: Tighten all bolts in sequence to 22 FT/LBS
	Step 2: Tighten bolts 1 to 8 in sequence to 200 FT/LBS
	Step 3: Tighten bolts 1 to 8 in sequence to 330 FT/LBS
Intake Valve Lash	.012-.018" (.304-.457 mm) COLD
Exhaust Valve Lash	.027-.033" (.680-.840 MM) COLD

# TORQUE SPECIFICATIONS

<b>3524</b>	DISPLACEMENT: 103.5L / 6316.1 cu. in.
	BORE: 6.693 (170.00) mm
	STROKE: 7.480 (190.00) mm
<b>Torque Specifications</b>	<b>Torque all bolts in OE recommended sequence (Apply oil to bolt threads to ensure proper torque)</b>
Main Bearing Caps	90-110 FT/LBS + rotate each bolt an additional 180° degrees
	3/4" bolts: 90-110 FT/LBS + rotate each bolt an additional 215° degrees
	7/8" bolts: 130-150 FT/LBS + rotate each bolt an additional 180° degrees
Connecting Rods	61-69 FT/LBS, + rotate each bolt an additional 90° degrees
Cylinder Head	Step 1: Tighten all bolts in sequence to 22 FT/LBS
	Step 2: Tighten bolts 1 to 8 in sequence to 200 FT/LBS
	Step 3: Tighten bolts 1 to 8 in sequence to 330 FT/LBS
Intake Valve Lash	.012-.018" (.304-.457 mm) COLD
Exhaust Valve Lash	.027-.033" (.680-.840 MM) COLD

<b>3606</b>	DISPLACEMENT: 111L / 6773 cu. in.
	BORE: 11.024 (280.00) mm
	STROKE: 11.811 (300.00) mm
<b>Torque Specifications</b>	<b>Torque all bolts in OE recommended sequence (Apply oil to bolt threads to ensure proper torque)</b>
Main Bearing Caps	Refer to OEM Procedure
Connecting Rods	Hydraulic Tensioned, refer to OEM Procedure
Cylinder Head	Refer to OEM Procedure
Intake Valve Lash	0.020" to 0.027" (0.52 to 0.68 mm ) COLD
Exhaust Valve Lash	0.036" to 0.042" (0.92 to 1.08 mm ) COLD

<b>3608</b>	DISPLACEMENT: 147.7L / 9018 cu. in.
	BORE: 11.024 (280.00) mm
	STROKE: 11.811 (300.00) mm
<b>Torque Specifications</b>	<b>Torque all bolts in OE recommended sequence (Apply oil to bolt threads to ensure proper torque)</b>
Main Bearing Caps	Refer to OEM Procedure
Connecting Rods	Hydraulic Tensioned, refer to OEM Procedure
Cylinder Head	Refer to OEM Procedure
Intake Valve Lash	0.020" to 0.027" (0.52 to 0.68 mm ) COLD
Exhaust Valve Lash	0.036" to 0.042" (0.92 to 1.08 mm ) COLD



# TORQUE SPECIFICATIONS

<b>3612</b>	DISPLACEMENT: 221.6L / 13527.1 cu. in.
	BORE: 11.024 (280.00) mm
	STROKE: 11.811 (300.00) mm
<b>Torque Specifications</b>	<b>Torque all bolts in OE recommended sequence (Apply oil to bolt threads to ensure proper torque)</b>
Main Bearing Caps	Refer to OEM Procedure
Connecting Rods	Hydraulic Tensioned, refer to OEM Procedure
Cylinder Head	Refer to OEM Procedure
Intake Valve Lash	0.020" to 0.027" (0.52 to 0.68 mm) COLD
Exhaust Valve Lash	0.036" to 0.042" (0.92 to 1.08 mm) COLD

<b>3616</b>	DISPLACEMENT: 295.5L / 18036.1 cu. in.
	BORE: 11.024 (280.00) mm
	STROKE: 11.811 (300.00) mm
<b>Torque Specifications</b>	<b>Torque all bolts in OE recommended sequence (Apply oil to bolt threads to ensure proper torque)</b>
Main Bearing Caps	Refer to OEM Procedure
Connecting Rods	Hydraulic Tensioned, refer to OEM Procedure
Cylinder Head	Refer to OEM Procedure
Intake Valve Lash	0.020" to 0.027" (0.52 to 0.68 mm) COLD
Exhaust Valve Lash	0.036" to 0.042" (0.92 to 1.08 mm) COLD

<b>3618</b>	DISPLACEMENT: 333L / 20320.6 cu. in.
	BORE: 11.024 (280.00) mm
	STROKE: 11.811 (300.00) mm
<b>Torque Specifications</b>	<b>Torque all bolts in OE recommended sequence (Apply oil to bolt threads to ensure proper torque)</b>
Main Bearing Caps	Refer to OEM Procedure
Connecting Rods	Hydraulic Tensioned, refer to OEM Procedure
Cylinder Head	Refer to OEM Procedure
Intake Valve Lash	0.020" to 0.027" (0.52 to 0.68 mm) COLD
Exhaust Valve Lash	0.036" to 0.042" (0.92 to 1.08 mm) COLD

<b>C1.1</b>	DISPLACEMENT: 1.1L / 69 cu. in.
	BORE: 3.031 (77.00) mm
	STROKE: 3.189 (81.00) mm
<b>Torque Specifications</b>	<b>Torque all bolts in OE recommended sequence (Apply oil to bolt threads to ensure proper torque)</b>
Main Bearing Caps	18-20 FT/LBS / Center bearing 14-18 FT/LBS, Rear Plate M8 17-20 FT/LBS
Connecting Rods	21-25 FT/LBS
Cylinder Head	Tighten all bolts in proper sequence to 35-38 FT/LBS
Intake Valve Lash	.008" (.020 mm) COLD
Exhaust Valve Lash	.008" (.020 mm) COLD

# TORQUE SPECIFICATIONS

<b>C1.5</b>	DISPLACEMENT: 1.4L / 91.3 cu. in.
	BORE: 3.307 (84.00) mm
	STROKE: 3.543 (90.00) mm
<b>Torque Specifications</b>	<b>Torque all bolts in OE recommended sequence (Apply oil to bolt threads to ensure proper torque)</b>
Main Bearing Caps	17 FT/LBS
Connecting Rods	38 FT/LBS
Cylinder Head	Tighten all bolts in proper sequence to 72-76 FT/LBS
Intake Valve Lash	.008" (.203 mm) COLD
Exhaust Valve Lash	.008" (.203 mm) COLD

<b>C1.6</b>	DISPLACEMENT: 1.5L / 92 cu. in.
	BORE: 3.031 (77.00) mm
	STROKE: 3.189 (81.00) mm
<b>Torque Specifications</b>	<b>Torque all bolts in OE recommended sequence (Apply oil to bolt threads to ensure proper torque)</b>
Main Bearing Caps	Allen type Bolts 20 FT/LBS, Set Screws 20 FT/LBS / Main Cap Holder 17 FT/LBS
Connecting Rods	24 FT/LBS
Cylinder Head	Tighten all bolts in proper sequence to 37 FT/LBS
Intake Valve Lash	.008" (.203 mm) COLD
Exhaust Valve Lash	.008" (.203 mm) COLD

<b>C1.7</b>	DISPLACEMENT: 1.6L / 101.4 cu. in.
	BORE: 3.4252-3.4261" (87.000-87.022 MM)
	STROKE: 3.6377" (92.400 MM)
<b>Torque Specifications</b>	<b>Torque all bolts in OE recommended sequence (Apply oil to bolt threads to ensure proper torque)</b>
Main Bearing Caps	34-37 FT/LBS / 3 Center Bolts: 51-54 FT/LBS Main Bearing Case Cover: 18-20 FT/LBS
Connecting Rods	34-36 FT/LBS
Cylinder Head	Tighten all bolts in proper sequence to 68-72 FT/LBS
Intake Valve Lash	.0078" (.200 MM)
Exhaust Valve Lash	.0078" (.200 MM)

<b>C2.2</b>	DISPLACEMENT: 2.2L / 135.2 cu. in.
	BORE: 3.307 (84.00) mm
	STROKE: 3.937 (100.00) mm
<b>Torque Specifications</b>	<b>Torque all bolts in OE recommended sequence (Apply oil to bolt threads to ensure proper torque)</b>
Main Bearing Caps	17 FT/LBS
Connecting Rods	38 FT/LBS
Cylinder Head	Tighten all bolts in proper sequence to 72-76 FT/LBS
Intake Valve Lash	.008" (.203 mm) COLD
Exhaust Valve Lash	.008" (.203 mm) COLD

# TORQUE SPECIFICATIONS

<b>C3.4</b>	DISPLACEMENT: 3.3L / 203.2 cu. in.
	BORE: 3.701 (94.00) mm
	STROKE: 4.724 (120.00) mm
<b>Torque Specifications</b>	<b>Torque all bolts in OE recommended sequence (Apply oil to bolt threads to ensure proper torque)</b>
Main Bearing Caps	72-80 FT/LBS
Connecting Rods	36-44 FT/LBS
Cylinder Head	Tighten all bolts in proper sequence to 91 FT/LBS
Intake Valve Lash	.0098" (.250 MM) COLD
Exhaust Valve Lash	.0098" (.250 MM) COLD

<b>C4.2</b>	DISPLACEMENT: 4.2L / 259 cu. in.
	BORE: 4.0161-4.0175" (102.010-102.045 mm)
	STROKE: 5.118" (129.997mm)
<b>Torque Specifications</b>	<b>Torque all bolts in OE recommended sequence (Apply oil to bolt threads to ensure proper torque)</b>
Main Bearing Caps	96-104 FT/LBS
Connecting Rods	71-79 FT/LBS
Cylinder Head	Tighten all bolts in proper sequence to 96-104 FT/LBS
Intake Valve Lash	.010" (.254 mm) COLD
Exhaust Valve Lash	.010" (.254 mm) COLD

<b>C4.4</b>	DISPLACEMENT: 4.4L / 269 cu. in.
	BORE: 4.1338-4.1348" (105.000-105.025 mm)
	STROKE: 5.000" (127.000 mm)
<b>Torque Specifications</b>	<b>Torque all bolts in OE recommended sequence (Apply oil to bolt threads to ensure proper torque)</b>
Main Bearing Caps	59 FT/LBS + rotate each bolt an additional 90° degrees
Connecting Rods	30 FT/LBS, + rotate each bolt an additional 120° degrees Note: must use new connecting rod bolts
Cylinder Head	Step 1. Tighten all bolts in sequence to 37 FT/LBS
	Step 2. Tighten all bolts in sequence to 74 FT/LBS
	Step 3. Tighten all bolts an additional + rotate each bolt an additional 225° degrees
Intake Valve Lash	.0120-.0160" (.304-406 mm) COLD
Exhaust Valve Lash	.0120-.0160" (.304-406 mm) COLD

# TORQUE SPECIFICATIONS

<b>C6.4</b>	DISPLACEMENT: 6.4L / 390 cu. in.
	BORE: 4.0161-4.0175" (102.010-102.045 mm)
	STROKE: 5.118 (129.997) mm
<b>Torque Specifications</b>	<b>Torque all bolts in OE recommended sequence (Apply oil to bolt threads to ensure proper torque)</b>
Main Bearing Caps	96-104 FT/LBS
Connecting Rods	71-79 FT/LBS
Cylinder Head	Tighten all bolts in proper sequence to 96-104 FT/LBS
Intake Valve Lash	.010" (.254 mm) COLD
Exhaust Valve Lash	.010" (.254 mm) COLD

<b>C6.6</b>	DISPLACEMENT: 6.5L / 402.6 cu. in.
	BORE: 4.134 (105.00) mm
	STROKE: 5.000 (127.00) mm
<b>Torque Specifications</b>	<b>Torque all bolts in OE recommended sequence (Apply oil to bolt threads to ensure proper torque)</b>
Main Bearing Caps	59 FT/LBS + rotate each bolt an additional 90° degrees
Connecting Rods	13 FT/LBS, 52 FT/LBS, + rotate each bolt an additional 120° degrees Note: Must use new bolts
Cylinder Head	Step 1: Tighten all bolts in proper sequence to 37 FT/LBS
	Step 2: Tighten all bolts in proper sequence to 74 FT/LBS
	Step 3: rotate each bolt an additional 225° degrees
Intake Valve Lash	.0120-.0160" (.304-406 mm) COLD
Exhaust Valve Lash	.0120-.0160" (.304-406 mm) COLD

<b>C7</b>	DISPLACEMENT: 7.2L / 441.9 cu. in.
	BORE: 4.331 (110.00) mm
	STROKE: 5.000 (127.00) mm
<b>Torque Specifications</b>	<b>Torque all bolts in OE recommended sequence (Apply oil to bolt threads to ensure proper torque)</b>
Main Bearing Caps	35-45 FT/LBS + rotate each bolt an additional 90° degrees
Connecting Rods	35-45 FT/LBS + rotate each bolt an additional 60° degrees
	Fractured type rod: 48-56 FT/LBS, + rotate each bolt an additional 115-125° degrees
Cylinder Head	Step 1: Tighten all bolts in proper sequence to 221 FT/LBS
	Step 2: Loosen all bolts in reverse sequence
	Step 3: Tighten all bolts in proper sequence to 96 FT/LBS
	Step 4: Tighten all bolts again in sequence to 96 FT/LBS
	Step 5: rotate each bolt an additional 90° degrees
Intake Valve Lash	.012-.018" (.304-457 mm) COLD
Exhaust Valve Lash	.022-.028" (.558- 711 mm) COLD

# TORQUE SPECIFICATIONS

<b>C7.1</b>	DISPLACEMENT: 7.2L / 441.9 cu. in.
	BORE: 4.1338-4.1348" (105.000-105.025 mm)
	STROKE: 5.315" (135.000 mm)
<b>Torque Specifications</b>	<b>Torque all bolts in OE recommended sequence (Apply oil to bolt threads to ensure proper torque)</b>
Main Bearing Caps	59 FT/LBS + rotate each bolt an additional 90° degrees
Connecting Rods	30 FT/LBS + rotate each bolt an additional 120° degrees
	Fractured type rod: 48-56 FT/LBS, + rotate each bolt an additional 115-125° degrees
Cylinder Head	Step 1: Tighten all bolts in proper sequence to 37 FT/LBS
	Step 2: Tighten all bolts in proper sequence to 118 FT/LBS
	Step 3: rotate each bolt an additional 130° degrees
Intake Valve Lash	.0138" (.350 mm) COLD
Exhaust Valve Lash	.0177" (.450 mm) COLD

<b>C9</b>	DISPLACEMENT: 8.7L / 533.8 cu. in.
	BORE: 4.409 (112.00) mm
	STROKE: 5.827 (148.00) mm
<b>Torque Specifications</b>	<b>Torque all bolts in OE recommended sequence (Apply oil to bolt threads to ensure proper torque)</b>
Main Bearing Caps	66-74 FT/LBS + rotate each bolt an additional 90° degrees
Connecting Rods	33-41 FT/LBS + rotate each bolt an additional 90° degrees
Cylinder Head	Step 1: Tighten all (M16) bolts 1-26 in proper sequence to 118 FT/LBS
	Step 2: Re-tighten all bolts in proper sequence to 118 FT/LBS
	Step 3: Loosen all bolts, repeat steps 1 and 2
	M8 BOLTS: 27-30; 13-23 FT/LBS
Intake Valve Lash	.012-.018" (0.3048-0.4572 mm) COLD
Exhaust Valve Lash	.022-.028" (0.559-0.711 mm) COLD

<b>C9.3</b>	DISPLACEMENT: 8.7L / 533.8 cu. in.
	BORE: 4.409 (112.00) mm
	STROKE: 5.827 (148.00) mm
<b>Torque Specifications</b>	<b>Torque all bolts in OE recommended sequence (Apply oil to bolt threads to ensure proper torque)</b>
Main Bearing Caps	66-74 FT/LBS + rotate each bolt an additional 90° degrees
Connecting Rods	33-41 FT/LBS + rotate each bolt an additional 90° degrees
Cylinder Head	Step 1: Tighten all (M16) bolts 1-26 in proper sequence to 118 FT/LBS
	Step 2: Re-tighten all bolts in proper sequence to 118 FT/LBS
	Step 3: Loosen all bolts, repeat steps 1 and 2
	M8 BOLTS: 27-30; 13-23 FT/LBS
Intake Valve Lash	.012-.018" (0.3048-0.4572 mm) COLD
Exhaust Valve Lash	.022-.028" (0.559-0.711 mm) COLD

# TORQUE SPECIFICATIONS

<b>C10</b>	DISPLACEMENT: 10.3L / 629 cu. in.
	BORE: 4.921 (125.00) mm
	STROKE: 5.512 (140.00) mm
<b>Torque Specifications</b>	<b>Torque all bolts in OE recommended sequence (Apply oil to bolt threads to ensure proper torque)</b>
Main Bearing Caps	66-74 FT/LBS + rotate each bolt an additional 90° degrees
Connecting Rods	90-100 FT/LBS + rotate each bolt an additional 60° degrees
Cylinder Head	Bolts: 1-26; 99-121 FT/LBS + rotate each bolt an additional 90° degrees
	Small Bolts: 27-33; 25 FT/LBS
Intake Valve Lash	.015" (0.3810 mm) COLD
Exhaust Valve Lash	.025" (0.6350 mm) COLD

<b>C11</b>	DISPLACEMENT: 11.1L / 680.3 cu. in.
	BORE: 5.118 (130.00) mm
	STROKE: 6.181" (157.000 MM)
<b>Torque Specifications</b>	<b>Torque all bolts in OE recommended sequence (Apply oil to bolt threads to ensure proper torque)</b>
Main Bearing Caps	105-115 FT/LBS + rotate each bolt an additional 60° degrees
Connecting Rods	90-100 FT/LBS + rotate each bolt an additional 60° degrees
Cylinder Head	Step 1: Tighten all bolts in proper sequence to 125 FT/LBS, loosen all bolts
	Step 2: Tighten all bolts in proper sequence to 125 FT/LBS, loosen all bolts
	Step 3: Tighten all bolts in proper sequence to 125 FT/LBS
	Note: Outside row of small bolts 41FT/LBS
Intake Valve Lash	.012-.018" (0.3048-0.4572 mm) COLD
Exhaust Valve Lash	.022-.028" (0.559-0.711 mm) COLD

<b>C12</b>	DISPLACEMENT: 11.9L / 728.9 cu. in.
	BORE: 5.118 (130.00) mm
	STROKE: 5.906 (150.00) mm
<b>Torque Specifications</b>	<b>Torque all bolts in OE recommended sequence (Apply oil to bolt threads to ensure proper torque)</b>
Main Bearing Caps	105-115 FT/LBS + rotate each bolt an additional 60° degrees
Connecting Rods	90-100 FT/LBS + rotate each bolt an additional 60° degrees
Cylinder Head	Step 1: Tighten bolts 1-26 in proper sequence to 120 FT/LBS
	Step 2: Tighten bolts 1-26 again in proper sequence to 120 FT/LBS
	Step 3: rotate each bolt an additional 90° degrees
	Step 4: Loosen all bolts, repeat steps 1,2 and 3
Note: Tighten bolts 27-33 in proper sequence to 20FT/LBS	
Intake Valve Lash	.015" (0.3810 mm) COLD
Exhaust Valve Lash	.025" (0.6350 mm) COLD

## TORQUE SPECIFICATIONS

<b>C13</b>	DISPLACEMENT: 12.5L / 763 cu. in.
	BORE: 5.118 (130.00) mm
	STROKE: 6.181 (157.00) mm
<b>Torque Specifications</b>	<b>Torque all bolts in OE recommended sequence (Apply oil to bolt threads to ensure proper torque)</b>
Main Bearing Caps	105-115 FT/LBS + rotate each bolt an additional 60° degrees
Connecting Rods	90-100 FT/LBS + rotate each bolt an additional 60° degrees
Cylinder Head	Step 1: Tighten all bolts in proper sequence to 125 FT/LBS, Then loosen all bolts
	Step 2: Tighten all bolts in proper sequence to 125 FT/LBS, Then loosen all bolts
	Step 3: Tighten all bolts in proper sequence to 125 FT/LBS
	Note: Outside row of small bolts 41FT/LBS
Intake Valve Lash	.012-.018" (0.3048-0.4572 mm) COLD
Exhaust Valve Lash	.027-.033" (0.6858-0.8382 mm) COLD

<b>C15</b>	DISPLACEMENT: 15.1L / 922.9 cu. in.
	BORE: 5.4000-5.4020" (137.160-137.210 MM)
	STROKE: 6.732 (171.00) mm
<b>Torque Specifications</b>	<b>Torque all bolts in OE recommended sequence (Apply oil to bolt threads to ensure proper torque)</b>
Main Bearing Caps	180-200 FT/LBS, + rotate each bolt an additional 115-125° degrees,
Connecting Rods	2 Bolt connecting rod: 59-61 FT/LBS, + rotate each bolt an additional 90° degrees
	4 Bolt Connecting Rod torque procedure:
	Step 1: Torque bolts 1 and 3 to 50 FT/LB
	Step 2: Torque bolts 2 and 4 to 50 FT/LB
	Step 3: Rotate bolts 2 and 4 an additional 60° degrees.
	Step 4: Re-tighten bolts 1 and 3 to 50 FT/LB
Cylinder Head	Step 5: Rotate bolts 1 and 3 an additional 60° degrees.
	Step 1: Tighten all bolts in proper sequence to 189-211 FT/LBS
	Step 2: Tighten all bolts in proper sequence to 319-341 FT/LBS
	Step 3: Repeat tighten all bolts in proper sequence to 319-341 FT/LBS
Piston Cooling Jet:s	24-36 FT/LBS
Intake Valve Lash	.012-.018" (0.3048-0.4572 mm) COLD
Exhaust Valve Lash	.027-.033" (0.6858-0.8382 mm) COLD

## TORQUE SPECIFICATIONS

<b>C16</b>	DISPLACEMENT: 15.6L / 955 cu. in.
	BORE: 5.4984-5.5004" (139.660-139.710 MM)
	STROKE: 6.750" (171.450 MM)
<b>Torque Specifications</b>	<b>Torque all bolts in OE recommended sequence (Apply oil to bolt threads to ensure proper torque)</b>
Main Bearing Caps	180-200 FT/LBS, + rotate each bolt an additional 115-125° degrees,
Connecting Rods	2 Bolt connecting rod: 59-61 FT/LBS, + rotate each bolt an additional 90° degrees
	4 Bolt Connecting Rod torque procedure:
	Step 1: Torque bolts 1 and 3 to 50 FT/LB
	Step 2: Torque bolts 2 and 4 to 50 FT/LB
	Step 3: Rotate bolts 2 and 4 an additional 60° degrees.
	Step 4: Re-tighten bolts 1 and 3 to 50 FT/LB
Cylinder Head	Step 5: Rotate bolts 1 and 3 an additional 60° degrees.
	Step 1: Tighten all bolts in proper sequence to 189-211 FT/LBS
	Step 2: Tighten all bolts in proper sequence to 319-341 FT/LBS
Piston Cooling Jet:s	24-36 FT/LBS
Intake Valve Lash	.012-.018" (0.3048-0.4572 mm) COLD
Exhaust Valve Lash	.027-.033" (0.6858-0.8382 mm) COLD

<b>C18</b>	DISPLACEMENT: 18.1L / 1106.4 cu. in.
	BORE: 5.709 (145.00) mm
	STROKE: 7.205 (183.00) mm
<b>Torque Specifications</b>	<b>Torque all bolts in OE recommended sequence (Apply oil to bolt threads to ensure proper torque)</b>
Main Bearing Caps	180-200 FT/LBS, + rotate each bolt an additional 115-125° degrees,
Connecting Rods	2 Bolt connecting rod: 59-61 FT/LBS, + rotate each bolt an additional 90° degrees
	4 Bolt Connecting Rod torque procedure:
	Step 1: Torque bolts 1 and 3 to 50 FT/LB
	Step 2: Torque bolts 2 and 4 to 50 FT/LB
	Step 3: Rotate bolts 2 and 4 an additional 60° degrees.
	Step 4: Re-tighten bolts 1 and 3 to 50 FT/LB
Cylinder Head	Step 5: Rotate bolts 1 and 3 an additional 60° degrees.
	Step 1: Tighten all bolts in proper sequence to 189-211 FT/LBS
	Step 2: Tighten all bolts in proper sequence to 319-341 FT/LBS
Piston Cooling Jet:s	24-36 FT/LBS
Intake Valve Lash	.012-.018" (0.3048-0.4572 mm) COLD
Exhaust Valve Lash	.027-.033" (0.6858-0.8382 mm) COLD

# TORQUE SPECIFICATIONS

<b>C27</b>	DISPLACEMENT: 27L / 1649.9 cu. in.
	BORE: 5.402 (137.20) mm
	STROKE: 6.000 (152.40) mm
<b>Torque Specifications</b>	<b>Torque all bolts in OE recommended sequence (Apply oil to bolt threads to ensure proper torque)</b>
Main Bearing Caps	190 FT/LBS + rotate each bolt an additional 120° degrees, Side Bolts: 60 FT/LBS
Connecting Rods	50 FT/LBS + rotate each bolt an additional 60° degrees
Cylinder Head	Step 1: Tighten all bolts 1-26 in proper sequence to 200 FT/LBS
	Step 2: Tighten all bolts 1-26 in proper sequence to 330 FT/LBS
	Step 3: Repeat tighten all bolts 1-26 in proper sequence to 330 FT/LBS
	Bolts; 27-39 Tighten to 33FT/LBS
Intake Valve Lash	.012-.018" (0.3048-0.4572 mm) COLD
Exhaust Valve Lash	.027-.033" (0.6858-0.8382 mm) COLD

<b>C32</b>	DISPLACEMENT: 32.1L / 1958.9 cu. in.
	BORE: 5.709 (145.00) mm
	STROKE: 6.378 (162.00) mm
<b>Torque Specifications</b>	<b>Torque all bolts in OE recommended sequence (Apply oil to bolt threads to ensure proper torque)</b>
Main Bearing Caps	190 FT/LBS + rotate each bolt an additional 120° degrees, Side Bolts: 60 FT/LBS
Connecting Rods	50 FT/LBS + rotate each bolt an additional 60° degrees
Cylinder Head	Step 1: Tighten all bolts 1-26 in proper sequence to 200 FT/LBS
	Step 2: Tighten all bolts 1-26 in proper sequence to 330 FT/LBS
	Step 3: Repeat tighten all bolts 1-26 in proper sequence to 330 FT/LBS
	Bolts; 27-39 Tighten to 33FT/LBS
Intake Valve Lash	.012-.018" (0.3048-0.4572 mm) COLD
Exhaust Valve Lash	.027-.033" (0.6858-0.8382 mm) COLD

<b>C175-16</b>	DISPLACEMENT: 84.7L / 5168 cu. in.
	BORE: 6.700" (175.00) mm
	STROKE: 7.500 (220.00) mm
<b>Torque Specifications</b>	<b>Torque all bolts in OE recommended sequence (Apply oil to bolt threads to ensure proper torque)</b>
Main Bearing Caps	Refer to OEM Procedure
Connecting Rods	Step 1: Tighten bolts to 60 FT/LBS
	Step 2: rotate each bolt an additional 180° degrees
Cylinder Head	Step 1: Tighten all bolts in proper sequence to 22 FT/LBS
	Step 2: Tighten all bolts in proper sequence to 140 FT/LBS
	Step 3: Repeat tighten all bolts in proper sequence to 140 FT/LBS
	Step 4: rotate each bolt an additional 180° degrees
Intake Valve Lash	Hydraulic type / Refer to OEM Procedure
Exhaust Valve Lash	Hydraulic type / Refer to OEM Procedure

# TORQUE SPECIFICATIONS

<b>C175-20</b>	DISPLACEMENT: 105.9L / 6462 cu. in.
	BORE: 6.700" (175.00) mm
	STROKE: 7.500 (220.00) mm
<b>Torque Specifications</b>	<b>Torque all bolts in OE recommended sequence (Apply oil to bolt threads to ensure proper torque)</b>
Main Bearing Caps	Refer to OEM Procedure
Connecting Rods	Step 1: Tighten bolts to 60 FT/LBS
	Step 2: rotate each bolt an additional 180° degrees
Cylinder Head	Step 1: Tighten all bolts in proper sequence to 22 FT/LBS
	Step 2: Tighten all bolts in proper sequence to 140 FT/LBS
	Step 3: Repeat tighten all bolts in proper sequence to 140 FT/LBS
	Step 4: rotate each bolt an additional 180° degrees
Intake Valve Lash	Hydraulic type / Refer to OEM Procedure
Exhaust Valve Lash	Hydraulic type / Refer to OEM Procedure

<b>D330</b>	DISPLACEMENT: 5.7L / 350 cu. in.
	BORE: 4.5000" (114.300 MM)
	STROKE: 5.500" (139.700 MM)
<b>Torque Specifications</b>	<b>Torque all bolts in OE recommended sequence (Apply oil to bolt threads to ensure proper torque)</b>
Main Bearing Caps	155 FT/LBS
Connecting Rods	85 FT/LBS
Cylinder Head	Step 1: Tighten all bolts in proper sequence to 110 FT/LBS
	Step 2: Tighten all bolts in proper sequence to 175 FT/LBS
	Step 3: 3/8" bolts 32 FT/LBS
Intake Valve Lash	.012-.018" (0.3048-0.4572 mm) COLD
Exhaust Valve Lash	.027-.033" (0.6858-0.8382 mm) COLD

<b>D342</b>	DISPLACEMENT: 20.4L / 1246 cu. in.
	BORE: 5.7500-5.7520" (146.050-146.100 MM)
	STROKE: 8.000" (203.200 MM)
<b>Torque Specifications</b>	<b>Torque all bolts in OE recommended sequence (Apply oil to bolt threads to ensure proper torque)</b>
Main Bearing Caps	100 FT/LBS + rotate each bolt an additional 120° degrees
Connecting Rods	75 FT/LBS + rotate each bolt an additional 60° degrees
Cylinder Head	Step 1: Tighten all bolts in proper sequence to 100 FT/LBS
	Step 2: Tighten all bolts in proper sequence to 210 FT/LBS
	Step 3: Tighten all bolts in proper sequence to 420 FT/LBS
Intake Valve Lash	.016" (0.406 mm) COLD
Exhaust Valve Lash	.020" (0.508 mm) COLD







# **COSTEX TRACTOR PARTS**

DIVISION OF COSTEX CORPORATION

**A**

**B**

**C**

All contents © Copyright 2021 Costex Tractor Parts.  
All rights reserved. F-720-076 REV. G

\$6.99